

# **RUBY**

# **PARTS CATALOG**

## **PARTS CATALOG**

### **INTRODUCTION**

This chapter instructs you the numbers and names of parts on this machine.

### **INDEX to PARTS CATALOG**

|                                 |               |
|---------------------------------|---------------|
| <b>RUBY</b>                     | <b>(C232)</b> |
| <b>DF Type 55</b>               | <b>(C578)</b> |
| <b>Paper Bank/DeleveryTable</b> | <b>(C591)</b> |

**RUBY (C232)**

## PARTS CATALOG

### INTRODUCTION

This chapter instructs you the numbers and names of parts on this machine.

### INDEX to PARTS CATALOG

|                                     |          |                                     |    |
|-------------------------------------|----------|-------------------------------------|----|
| <b>LOCATION OF UNIT</b> .....       | <b>3</b> | 18.PRESSUER CYLINDER 3 (C232).....  | 44 |
| 1.EXTERIOR 1 (C232) .....           | 10       | 19.PAPER EXIT SECTION 1 (C232)..... | 46 |
| 2.EXTERIOR 2 (C232) .....           | 12       | 20.PAPER EXIT SECTION 2 (C232)..... | 48 |
| 3.OPERATION PANEL (C232).....       | 14       | 21.PAPER EXIT SECTION 3 (C232)..... | 50 |
| 4.PLATEN COVER (C232) .....         | 16       | 22.DRUM UNIT 1 (C232).....          | 52 |
| 5.FRAME SECTION 1 (C232) .....      | 18       | 23.DRUM UNIT 2 (C232).....          | 54 |
| 6.FRAME SECTION 2 (C232) .....      | 20       | 24.DRUM UNIT 3 (C232).....          | 56 |
| 7.DRIVE SECTION 1 (C232).....       | 22       | 25.DRUM UNIT 4 (C232).....          | 58 |
| 8.DRIVE SECTION 2 (C232).....       | 24       | 26.DRUM UNIT 5 (C232).....          | 60 |
| 9.DRIVE SECTION 3 (C232).....       | 26       | 27.SCANNER UNIT 1 (C232).....       | 62 |
| 10.PAPER FEED SECTION 1 (C232)..... | 28       | 28.SCANNER UNIT 2 (C232).....       | 64 |
| 11.PAPER FEED SECTION 2 (C232)..... | 30       | 29.PLOTTER UNIT 1 (C232).....       | 66 |
| 12.PAPER FEED SECTION 3 (C232)..... | 32       | 30.PLOTTER UNIT 2 (C232).....       | 68 |
| 13.PAPER FEED SECTION 4 (C232)..... | 34       | 31.PLOTTER UNIT 3 (C232).....       | 70 |
| 14.PAPER FEED SECTION 5 (C232)..... | 36       | 32.PLOTTER UNIT 4 (C232).....       | 72 |
| 15.PAPER FEED SECTION 6 (C232)..... | 38       | 33.MASTER EJECT 1 (C232) .....      | 74 |
| 16.PRESSUER CYLINDER 1 (C232).....  | 40       | 34.MASTER EJECT 2 (C232) .....      | 76 |
| 17.PRESSUER CYLINDER 2 (C232).....  | 42       | 35.MASTER EJECT 3 (C232) .....      | 78 |

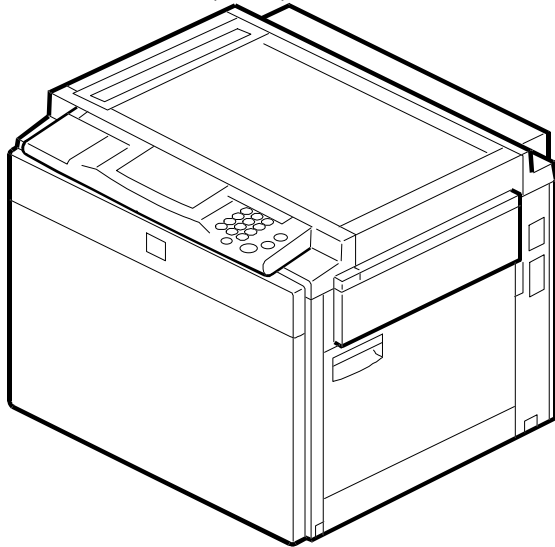
February 29'2000



|                                      |           |
|--------------------------------------|-----------|
| 36.ELECTRICAL SECTION 1 (C232) ..... | 80        |
| 37.ELECTRICAL SECTION 2 (C232) ..... | 82        |
| 38.OPTION DRUM (C232) .....          | 84        |
| 39.MPU BOARD (C232) .....            | 86        |
| 40.I/O BOARD (C232) .....            | 90        |
| 41.DECAL AND DOCUMENT (C232) .....   | 94        |
| 42.SPECIAL TOOLS (C232) .....        | 96        |
| <b>PARTS INDEX .....</b>             | <b>99</b> |

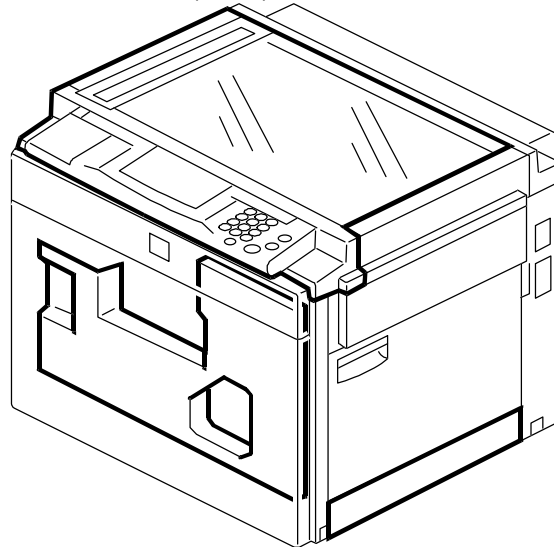
# LOCATION OF UNIT

1.EXTERIOR 1 (C232)



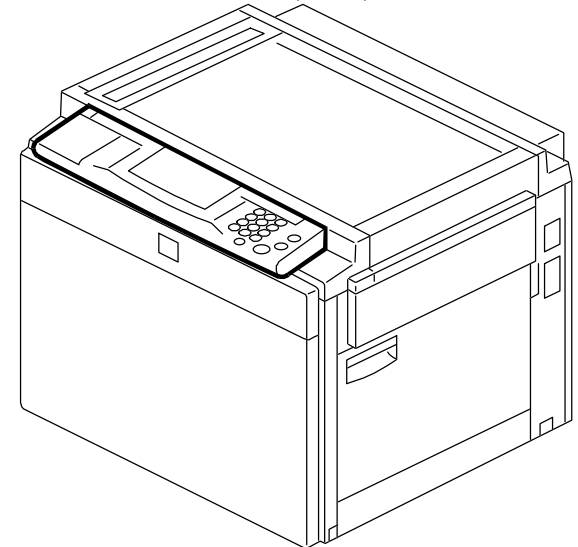
See Page 11

2.EXTERIOR 2 (C232)



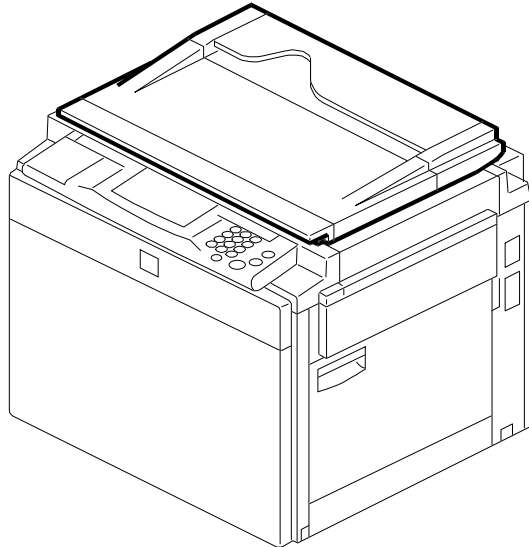
See Page 13

3.OPERATION PANEL (C232)



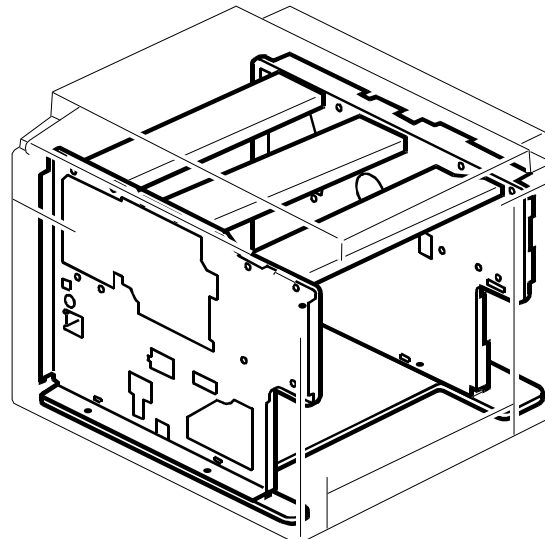
See Page 15

4.PLATEN COVER (C232)



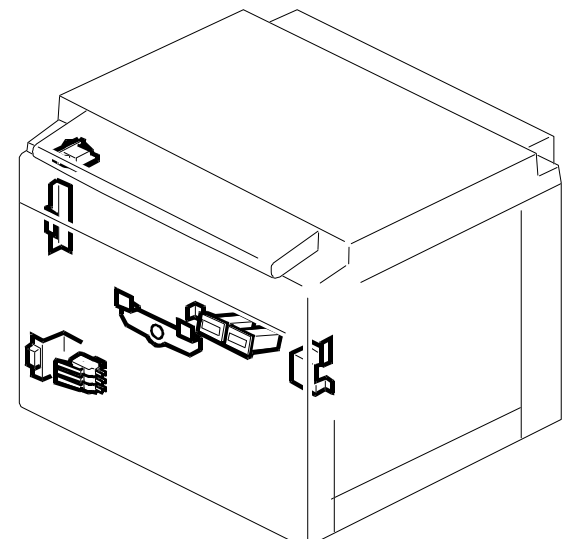
See Page 17

5.FRAME SECTION 1 (C232)



See Page 19

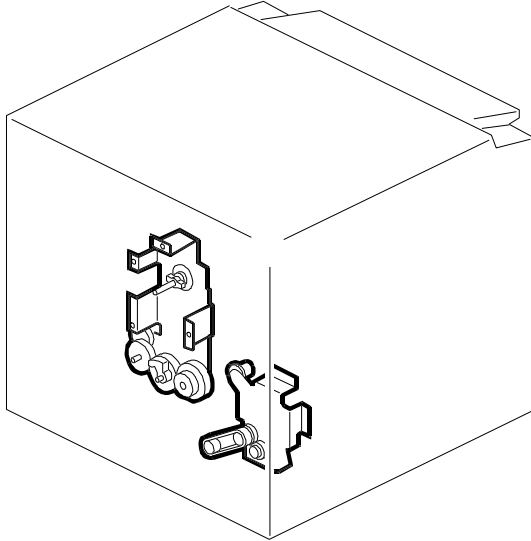
6.FRAME SECTION 2 (C232)



See Page 21

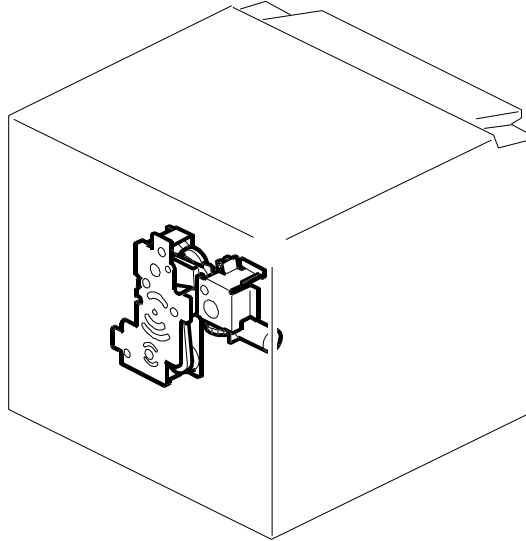
# LOCATION OF UNIT

7.DRIVE SECTION 1 (C232)



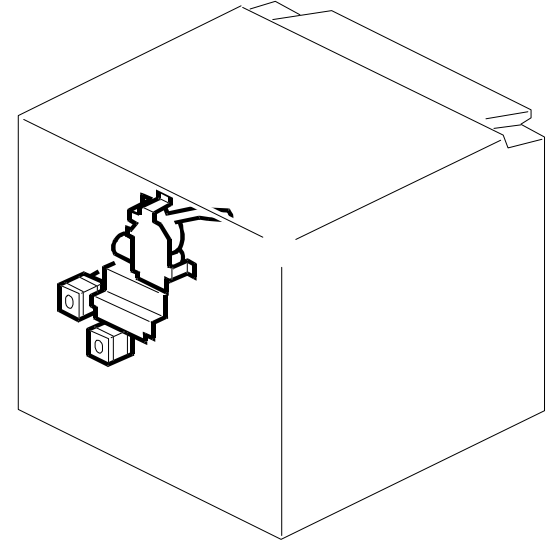
See Page 23

8.DRIVE SECTION 2 (C232)



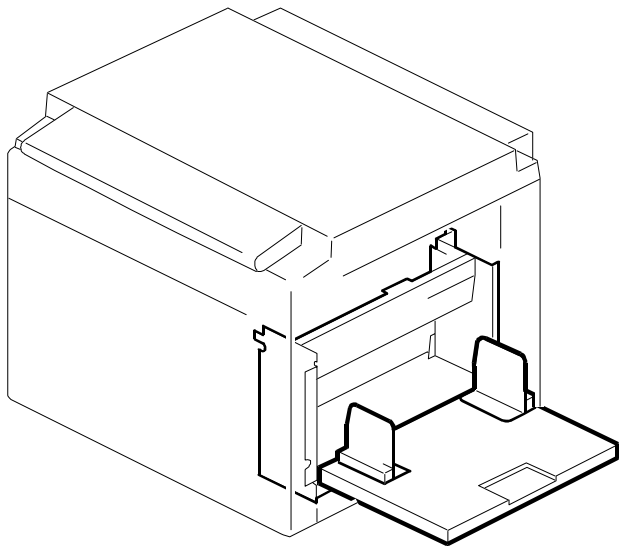
See Page 25

9.DRIVE SECTION 3 (C232)



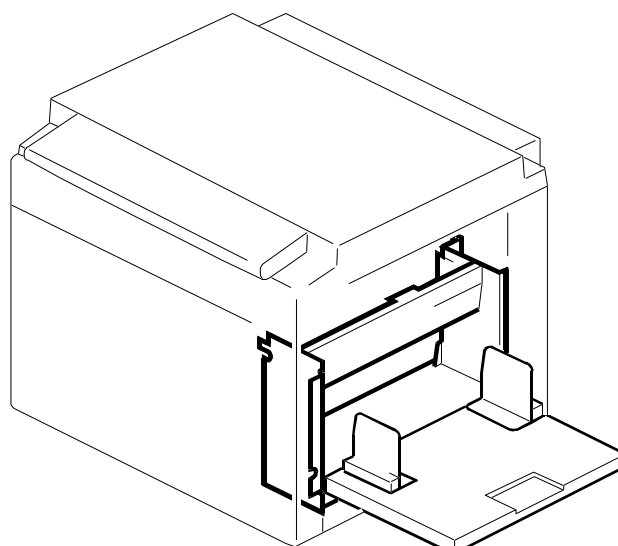
See Page 27

10.PAPER FEED SECTION 1 (C232)



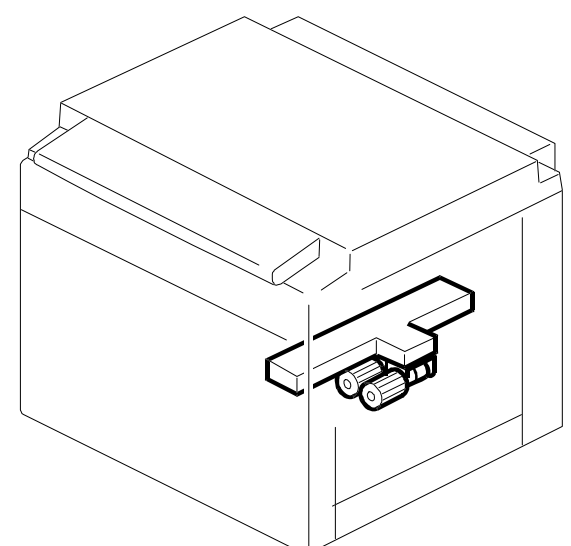
See Page 29

11.PAPER FEED SECTION 2 (C232)



See Page 31

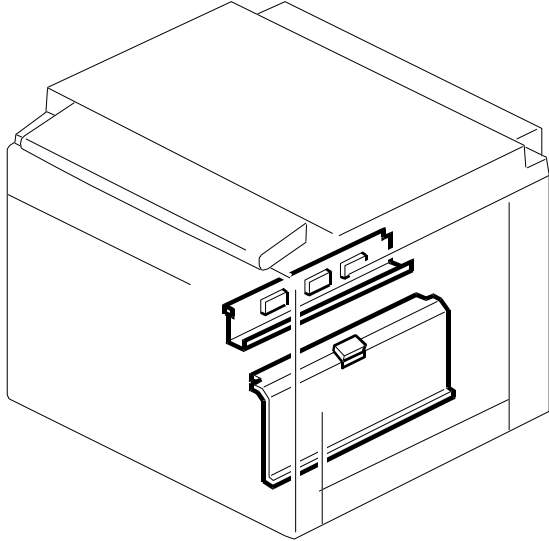
12.PAPER FEED SECTION 3 (C232)



See Page 33

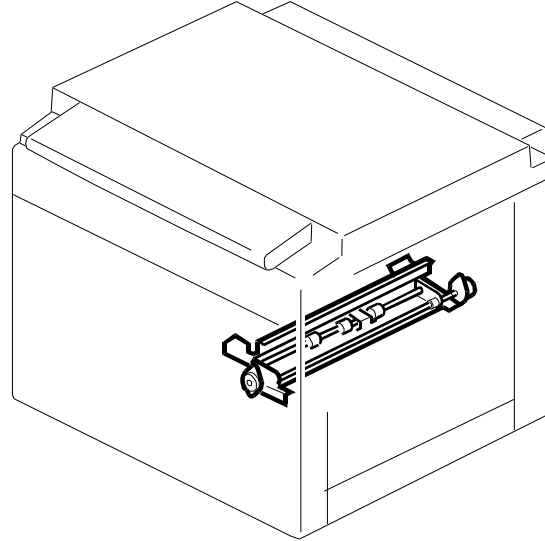
# LOCATION OF UNIT

13.PAPER FEED SECTION 4 (C232)



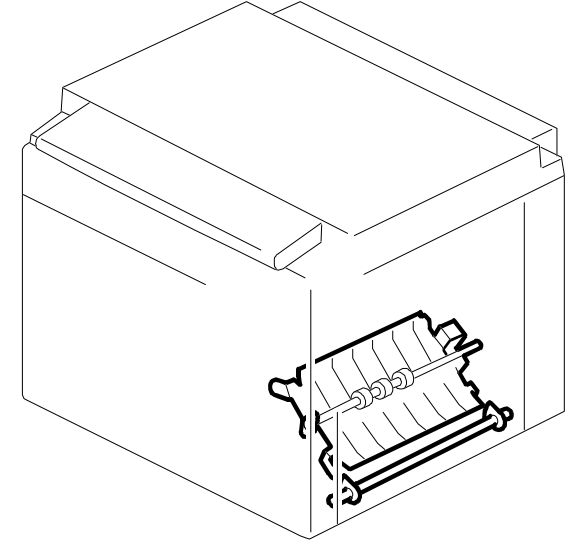
See Page 35

14.PAPER FEED SECTION 5 (C232)



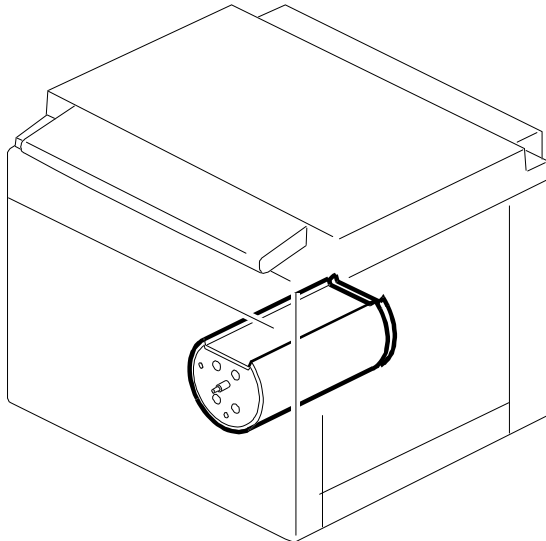
See Page 37

15.PAPER FEED SECTION 6 (C232)



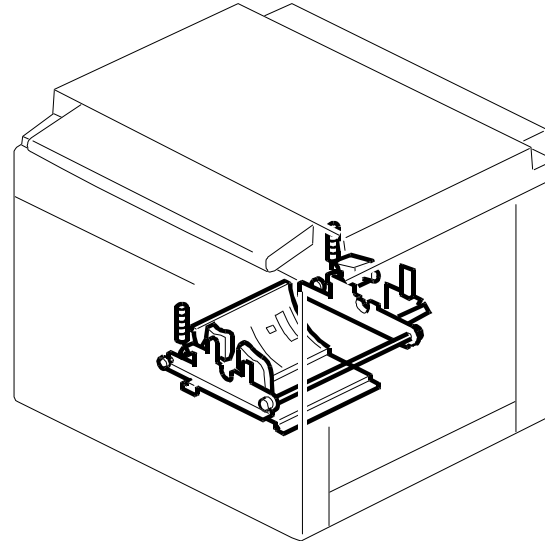
See Page 39

16.PRESSUER CYLINDER 1 (C232)



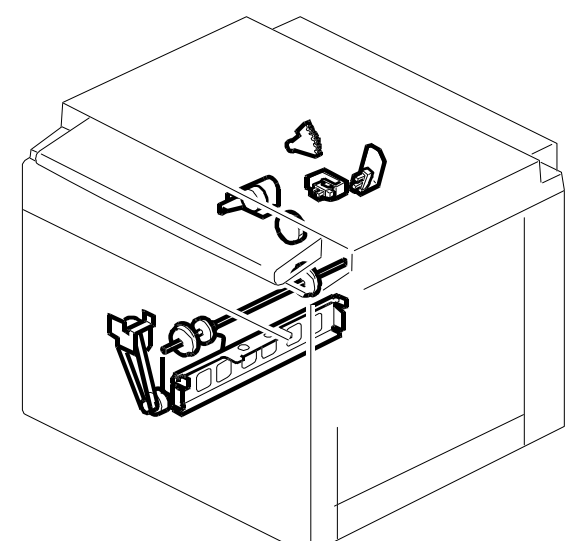
See Page 41

17.PRESSUER CYLINDER 2 (C232)



See Page 43

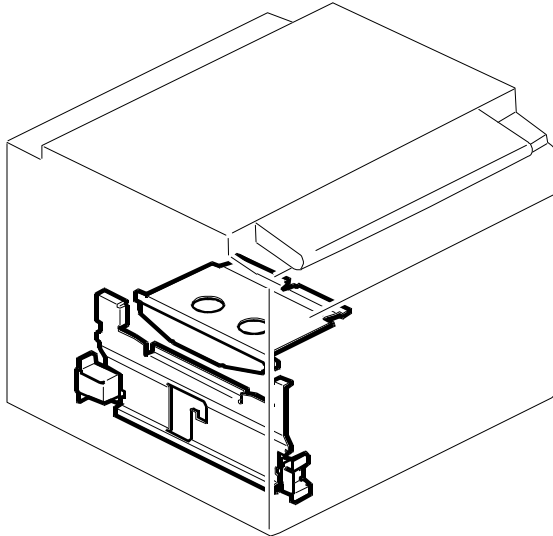
18.PRESSUER CYLINDER 3 (C232)



See Page 45

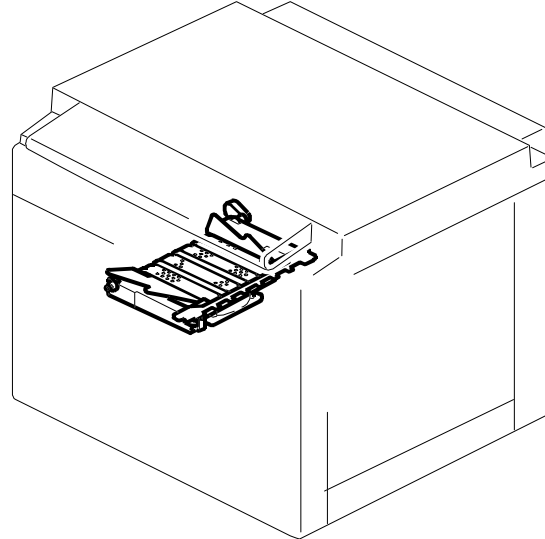
# LOCATION OF UNIT

19.PAPER EXIT SECTION 1 (C232)



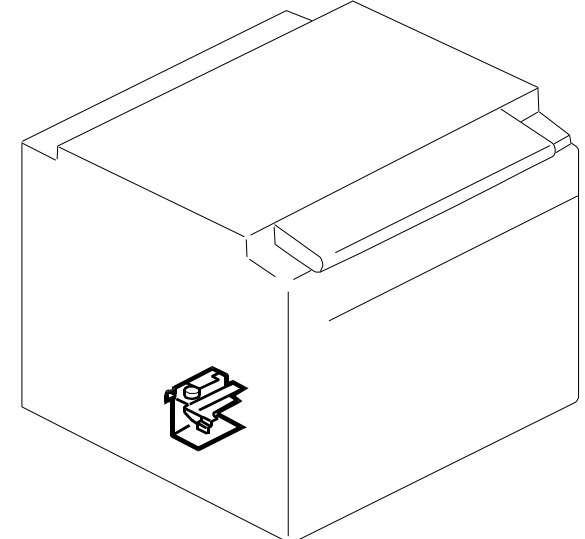
See Page 47

20.PAPER EXIT SECTION 2 (C232)



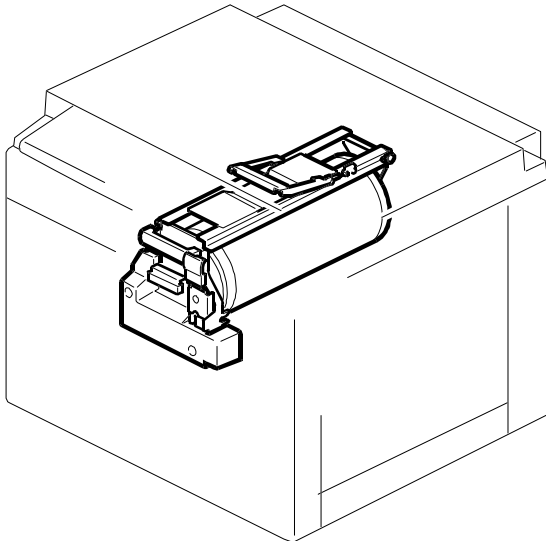
See Page 49

21.PAPER EXIT SECTION 3 (C232)



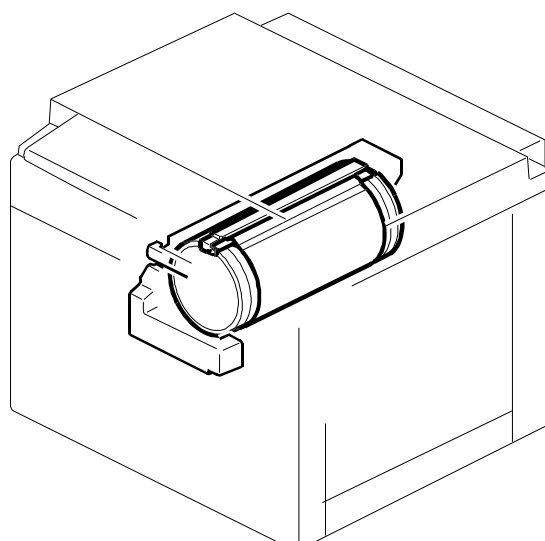
See Page 51

22.DRUM UNIT 1 (C232)



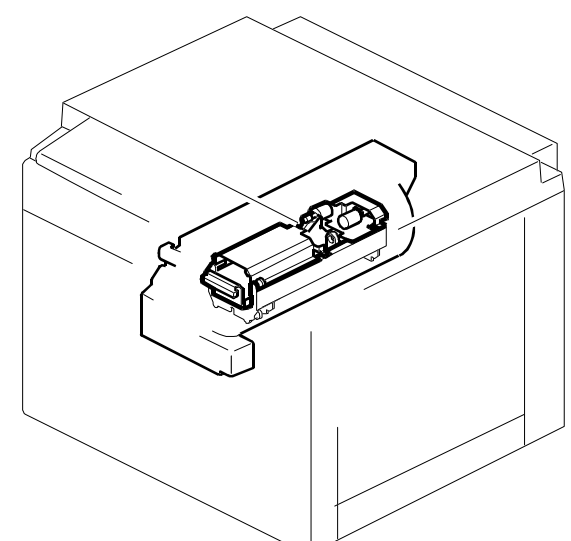
See Page 53

23.DRUM UNIT 2 (C232)



See Page 55

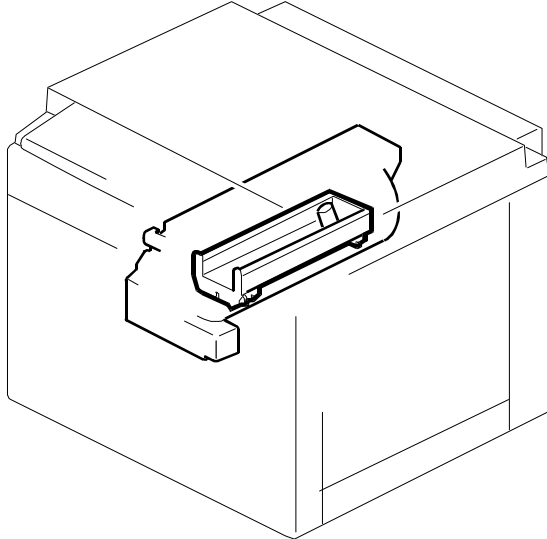
24.DRUM UNIT 3 (C232)



See Page 57

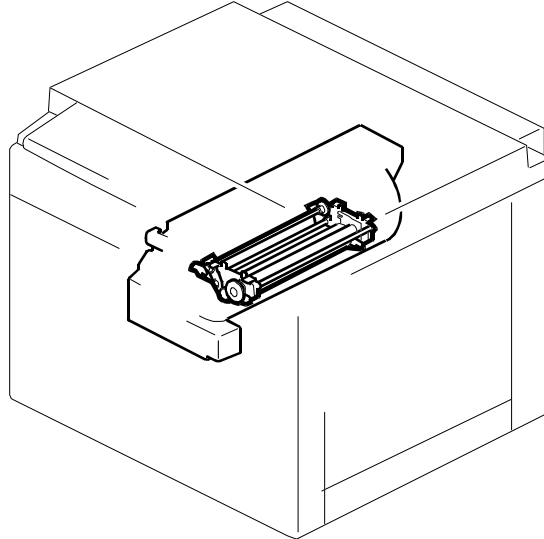
# LOCATION OF UNIT

25.DRUM UNIT 4 (C232)



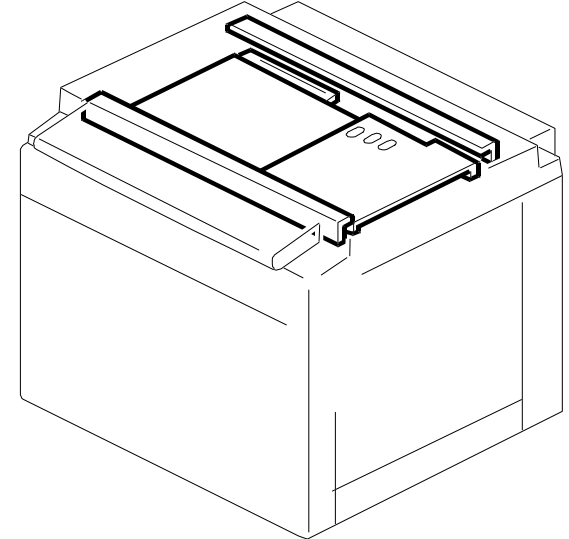
See Page 59

26.DRUM UNIT 5 (C232)



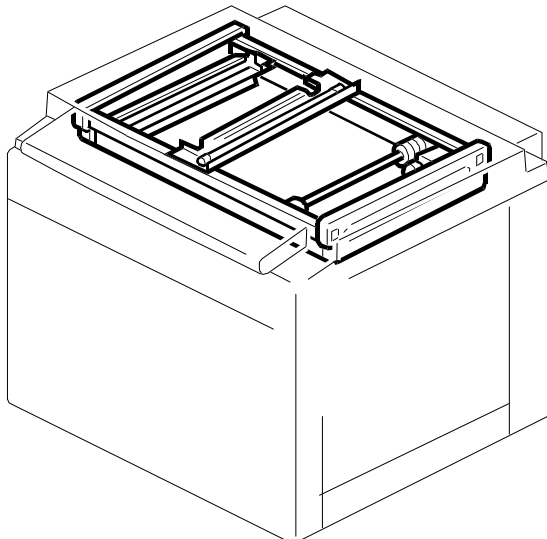
See Page 61

27.SCANNER UNIT 1 (C232)



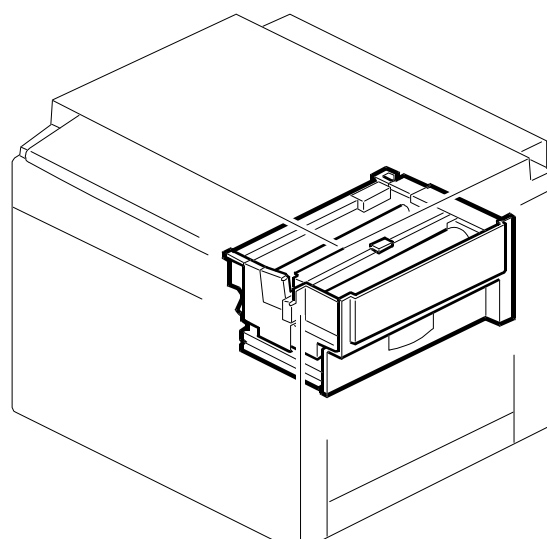
See Page 63

28.SCANNER UNIT 2 (C232)



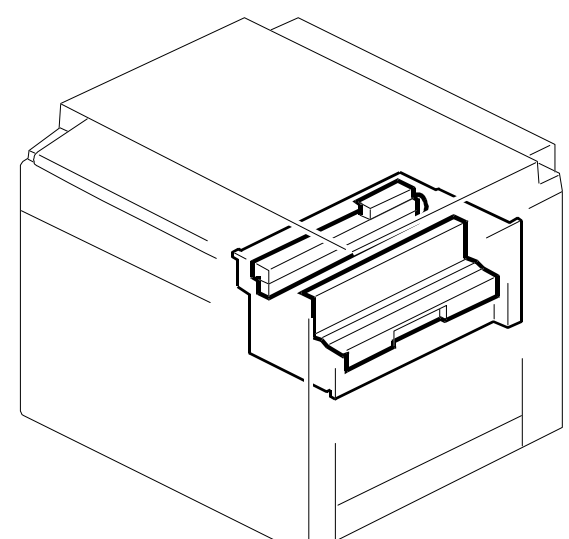
See Page 65

29.PLOTTER UNIT 1 (C232)



See Page 67

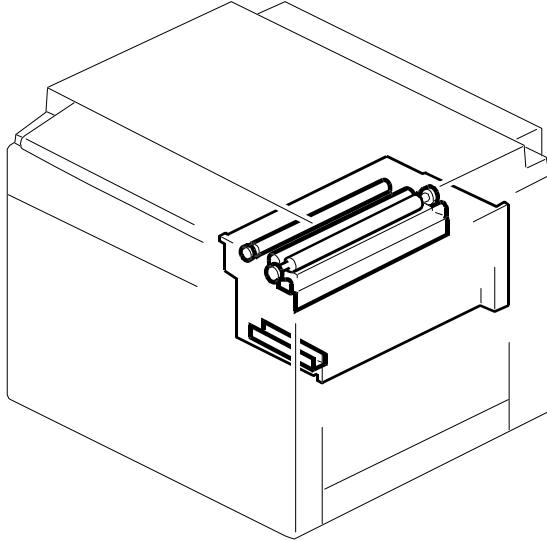
30.PLOTTER UNIT 2 (C232)



See Page 69

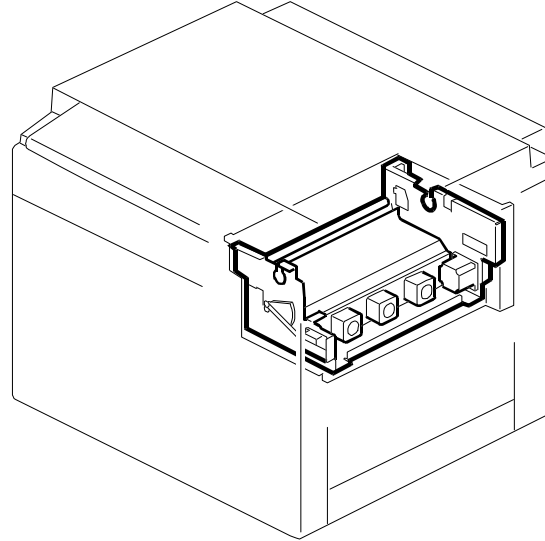
# LOCATION OF UNIT

31.PLOTTER UNIT 3 (C232)



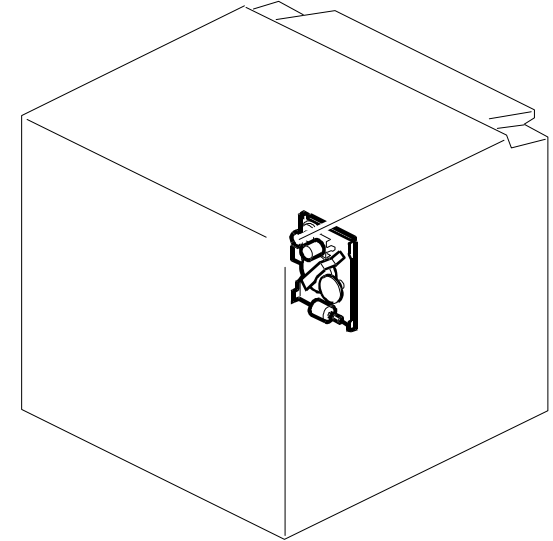
See Page 71

32.PLOTTER UNIT 4 (C232)



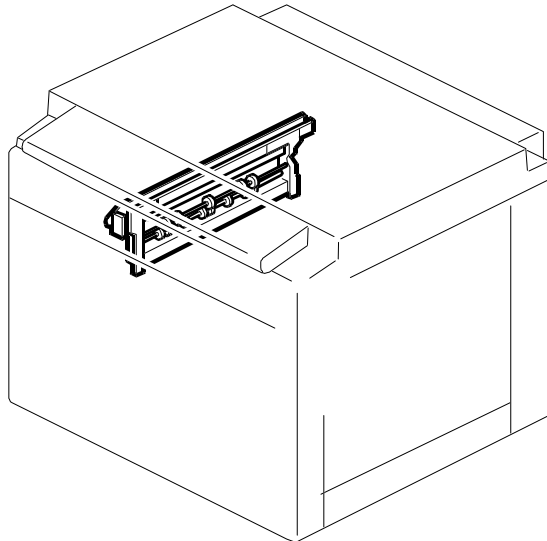
See Page 73

33.MASTER EJECT 1 (C232)



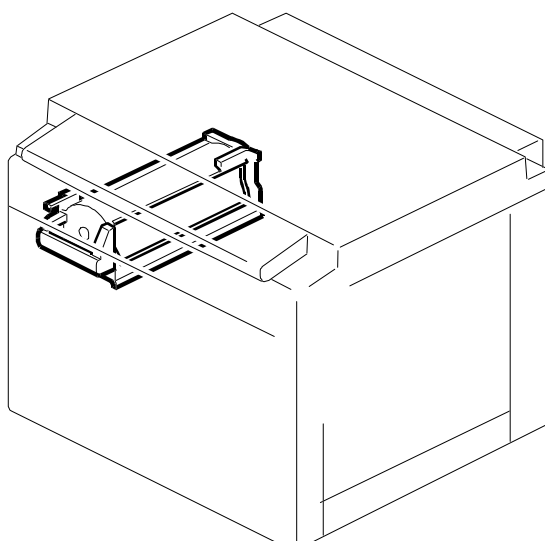
See Page 75

34.MASTER EJECT 2 (C232)



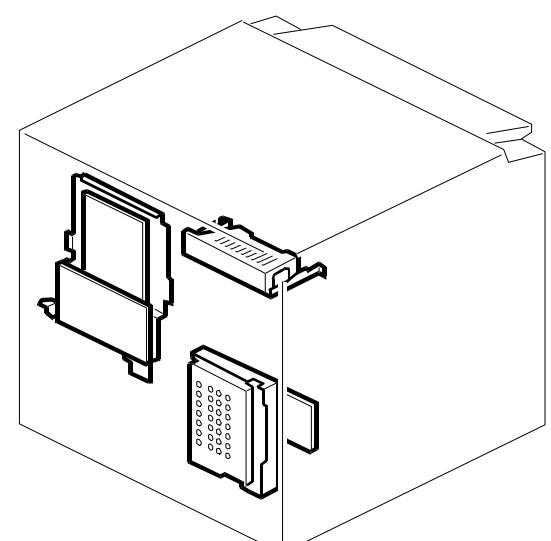
See Page 77

35.MASTER EJECT 3 (C232)



See Page 79

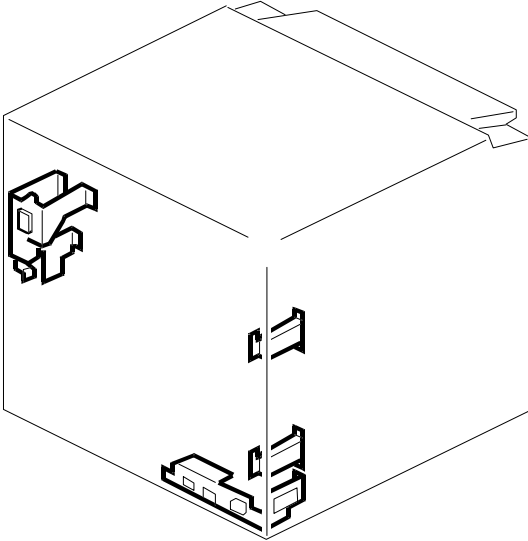
36.ELECTRICAL SECTION 1 (C232)



See Page 81

# LOCATION OF UNIT

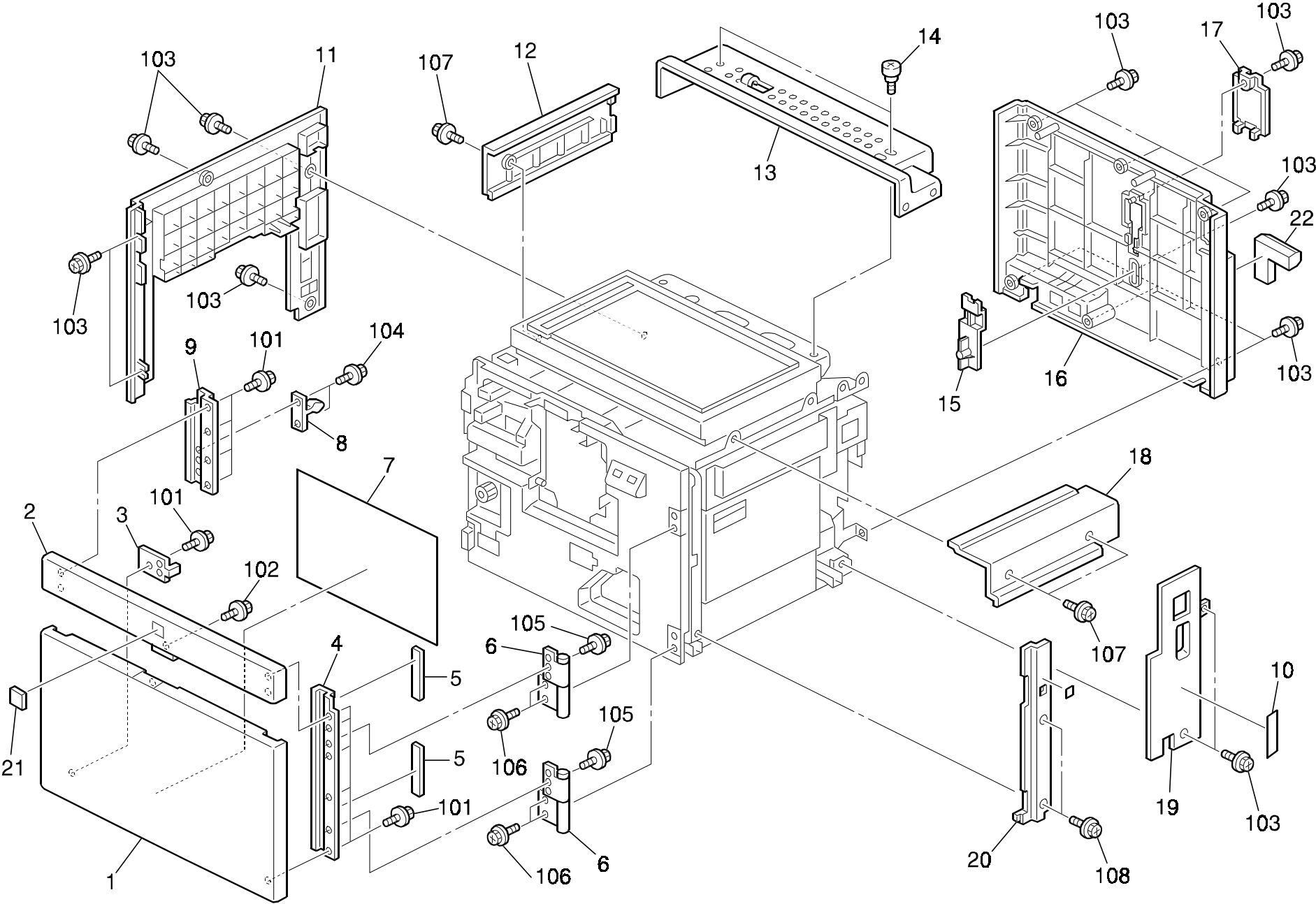
37.ELECTRICAL SECTION 2 (C232)



See Page 83



1.EXTERIOR 1 (C232)

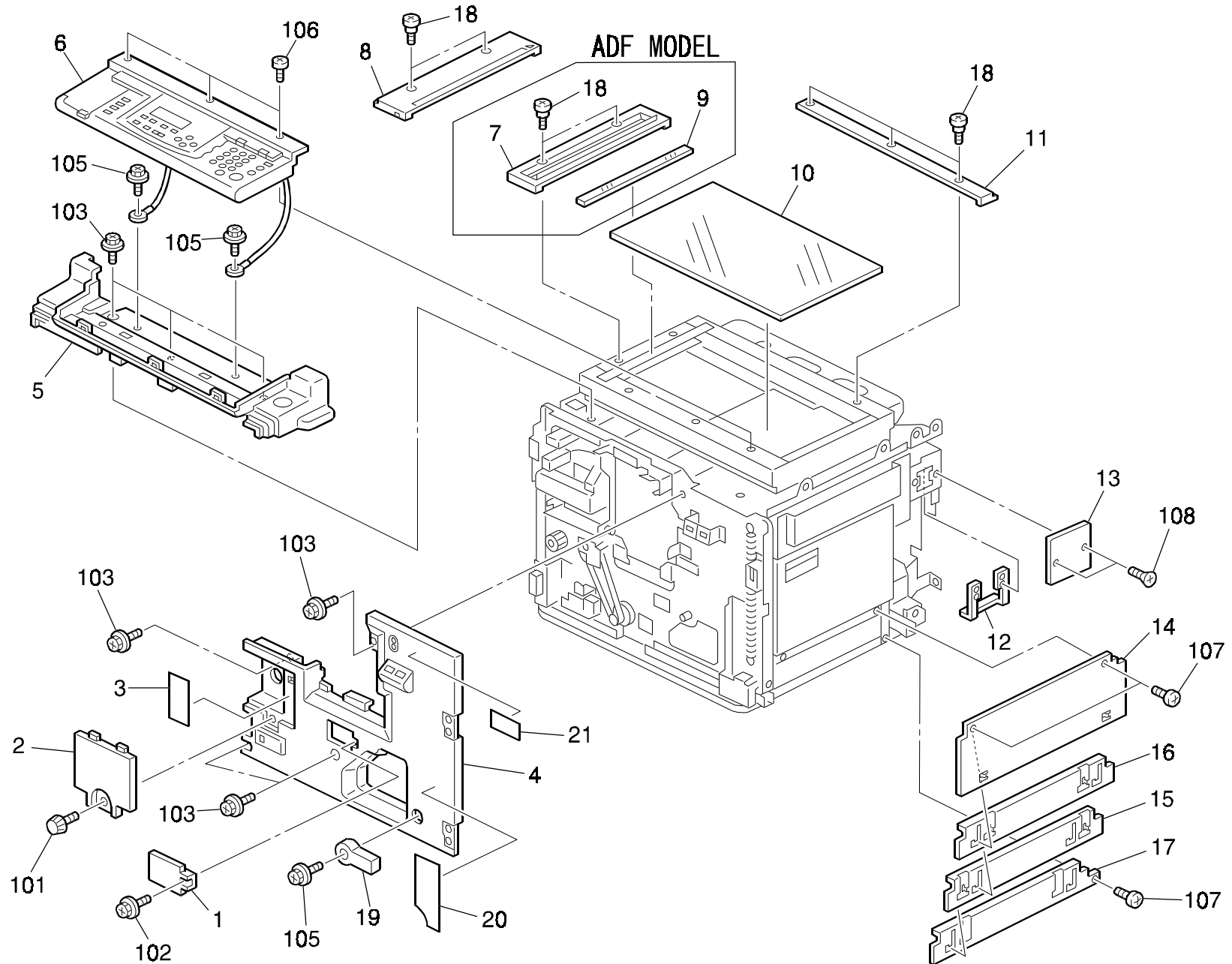


## 1.EXTERIOR 1 (C232)

| Index No. | Part No.  | Description              | Q'ty Per Assembly |
|-----------|-----------|--------------------------|-------------------|
| 1         | C229 1253 | Door Cover               | 1                 |
| 2         | C232 1301 | Upper Door               | 1                 |
| 3         | C229 1264 | Safety Switch Bracket    | 1                 |
| 4         | C229 1258 | Door Support Plate       | 1                 |
| 5         | C229 1254 | Cushion - Front Door     | 2                 |
| 6         | C229 1260 | Door Hinge Ass'y         | 2                 |
| 7         | C232 1350 | Operation Sheet          | 1                 |
| 8         | A659 1272 | Door Catch               | 1                 |
| 9         | C229 1259 | Door Catch Bracket       | 1                 |
| 10        | C229 1359 | Caution Decal            | 1                 |
| 11        | C229 1276 | Left Cover               | 1                 |
| 12        | C229 1297 | Scanner Left Cover       | 1                 |
| 13        | C229 1295 | Rear Upper Cover         | 1                 |
| 14        | AA14 8447 | Guide Pin - Platen Cover | 2                 |
| 15        | C229 1284 | Rom Guide                | 1                 |
| 16        | C229 1283 | Rear Cover               | 1                 |
| 17        | A193 1354 | Cap - Memory             | 1                 |
| 18        | C229 1296 | Scanner Right Cover      | 1                 |
| 19        | C229 1270 | Rear Right Cover         | 1                 |
| 20        | C229 1266 | Front Right Cover        | 1                 |
| 21        | C226 2740 | Emblem                   | 1                 |
| 22        | C232 1370 | Connector Guard          | 1                 |

| Index No. | Part No.   | Description                  | Q'ty Per Assembly |
|-----------|------------|------------------------------|-------------------|
| 101       | 0450 4008B | Tapping Screw - 4x8          |                   |
| 102       | 0450 4010B | Tapping Screw - 4x10         |                   |
| 103       | 0450 3008H | Tapping Screw M3x8           |                   |
| 104       | 0453 3006B | Tapping Screw - M3x6         |                   |
| 105       | 0451 4008B | Philips Tapping Screw - M4x8 |                   |
| 106       | 0451 4010B | Tapping Screw - 4x10         |                   |
| 107       | 0451 3008H | Tapping Screw - 3x8          |                   |
| 108       | 0451 4006H | Tapping Screw - M4x6         |                   |

## 2.EXTERIOR 2 (C232)

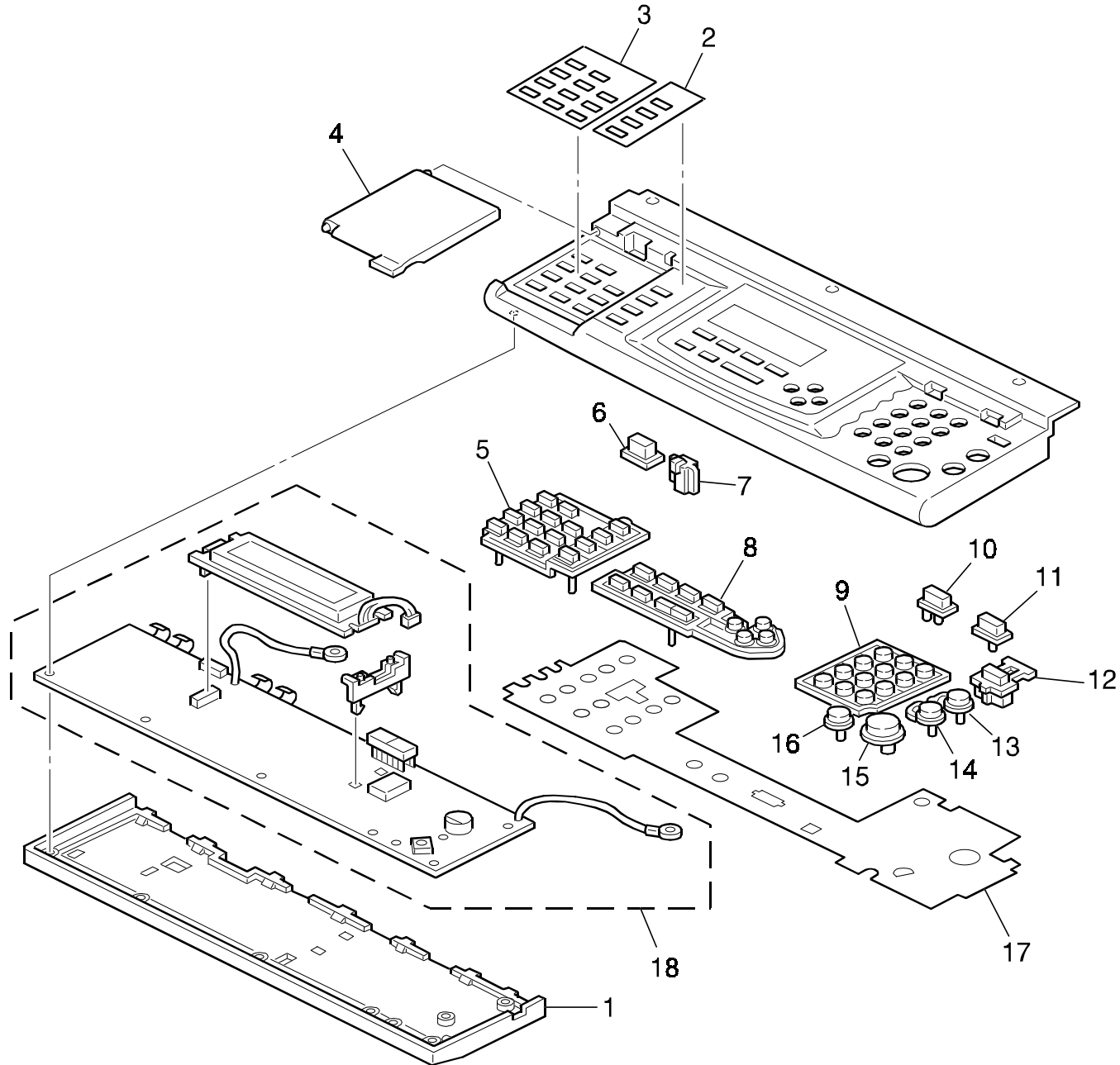


## 2.EXTERIOR 2 (C232)

| Index No. | Part No.  | Description                    | Q'ty Per Assembly |
|-----------|-----------|--------------------------------|-------------------|
| 1         | C229 1289 | Small Cap                      | 1                 |
| 2         | C229 1288 | Knob Cover - Cylinder Cleaning | 1                 |
| 3         | C229 1356 | Decal - Cylinder Operation     | 1                 |
| 4         | C229 1299 | Inner Cover                    | 1                 |
| 5         | C229 1265 | Operation Panel Lower Cover    | 1                 |
| 6         | C232 1457 | Operation Panel Ass'y - EU     | 1                 |
| 7         | A628 3192 | Original Scale                 | 1                 |
| 8         | A224 1680 | Left Original Scale            | 1                 |
| 9         | AC01 3004 | Exposure Glass                 | 1                 |
| 10        | 5215 1980 | Exposure Glass - A3t-3.2       | 1                 |
| 11        | A193 1757 | Rear Original Scale            | 1                 |
| 12        | A030 1339 | Plate Nut - Key Counter        | 1                 |
| 13        | C217 2455 | Key Counter Cover              | 1                 |
| 14        | C232 2766 | Shedding Plate                 | 1                 |
| 15        | C229 2764 | Lower Shield Plate A           | 1                 |
| 16        | C229 2765 | Lower Shield Plate B           | 1                 |
| 17        | C229 2763 | Lower Shield Plate             | 1                 |
| 18        | A193 1759 | Stepped Screw                  | 5                 |
| 19        | C232 2991 | Cam Lock Lever                 | 1                 |
| 20        | C232 1290 | Decal - Removal                | 1                 |
| 21        | C233 1290 | Decal - Caption LE             | 1                 |
| 22        | C233 1295 | Decal - Ink Supply             | 1                 |

| Index No. | Part No.   | Description                       | Q'ty Per Assembly |
|-----------|------------|-----------------------------------|-------------------|
| 101       | 0804 6058  | Knob Screw                        |                   |
| 102       | 0450 3008W | Philips Tapping Screw - M3x8      |                   |
| 103       | 0451 4008H | Tapping Screw - 4x8               |                   |
| 104       | 0451 4006B | Tapping Screw - 4x6               |                   |
| 105       | 0451 3006B | Tapping Screw - M3x6              |                   |
| 106       | 0353 0040Z | Binding Head Screw M3x4 (100pcs)  |                   |
| 107       | 0453 4006H | Tapping Screw - M4x6              |                   |
| 108       | 0323 0100Z | Philips Sunken Head Screw - M3x10 |                   |

### 3.OPERATION PANEL (C232)

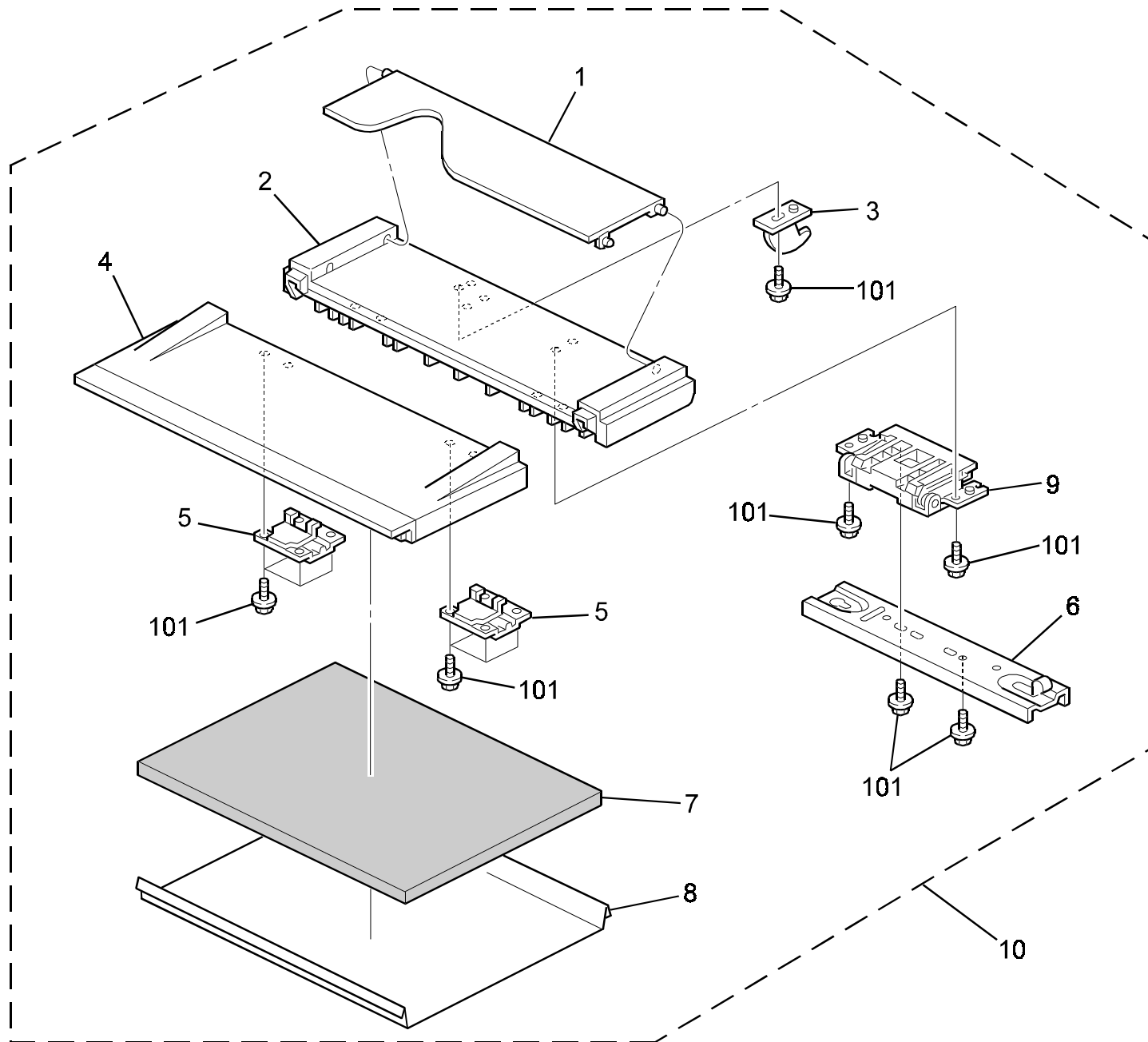


### 3.OPERATION PANEL (C232)

| Index No. | Part No.  | Description                | Q'ty Per Assembly |
|-----------|-----------|----------------------------|-------------------|
| 1         | C229 1473 | Operation Panel Lower Case | 1                 |
| 2         | C232 1515 | Online Sheet - EU          | 1                 |
| 3         | C229 1516 | Behind Sheet - EU          | 1                 |
| 4         | C229 1472 | Cover Behind               | 1                 |
| 5         | C229 1490 | Key-top Behind             | 1                 |
| 6         | C229 1488 | Key-top Initialis          | 1                 |
| 7         | C229 1474 | LED Display                | 1                 |
| 8         | C229 1489 | Key-top Display Monitor    | 1                 |
| 9         | C229 1484 | Key-top 10 Key             | 1                 |
| 10        | C229 1487 | Key-top Program            | 1                 |
| 11        | C233 1486 | Key Top - Clear Mord       | 1                 |
| 12        | C229 1485 | Key-top Auto Cycle         | 1                 |
| 13        | C229 1483 | Key-top Proof              | 1                 |
| 14        | C229 1482 | Key-top Start              | 1                 |
| 15        | C229 1480 | Key-top Start              | 1                 |
| 16        | C229 1481 | Key-tp Stop                | 1                 |
| 17        | C229 1509 | Preventfence Sheet         | 1                 |
| 18        | C232 5160 | Operation Panel Board      | 1                 |

| Index No. | Part No. | Description | Q'ty Per Assembly |
|-----------|----------|-------------|-------------------|
|           |          |             |                   |

# 4.PLATEN COVER (C232)



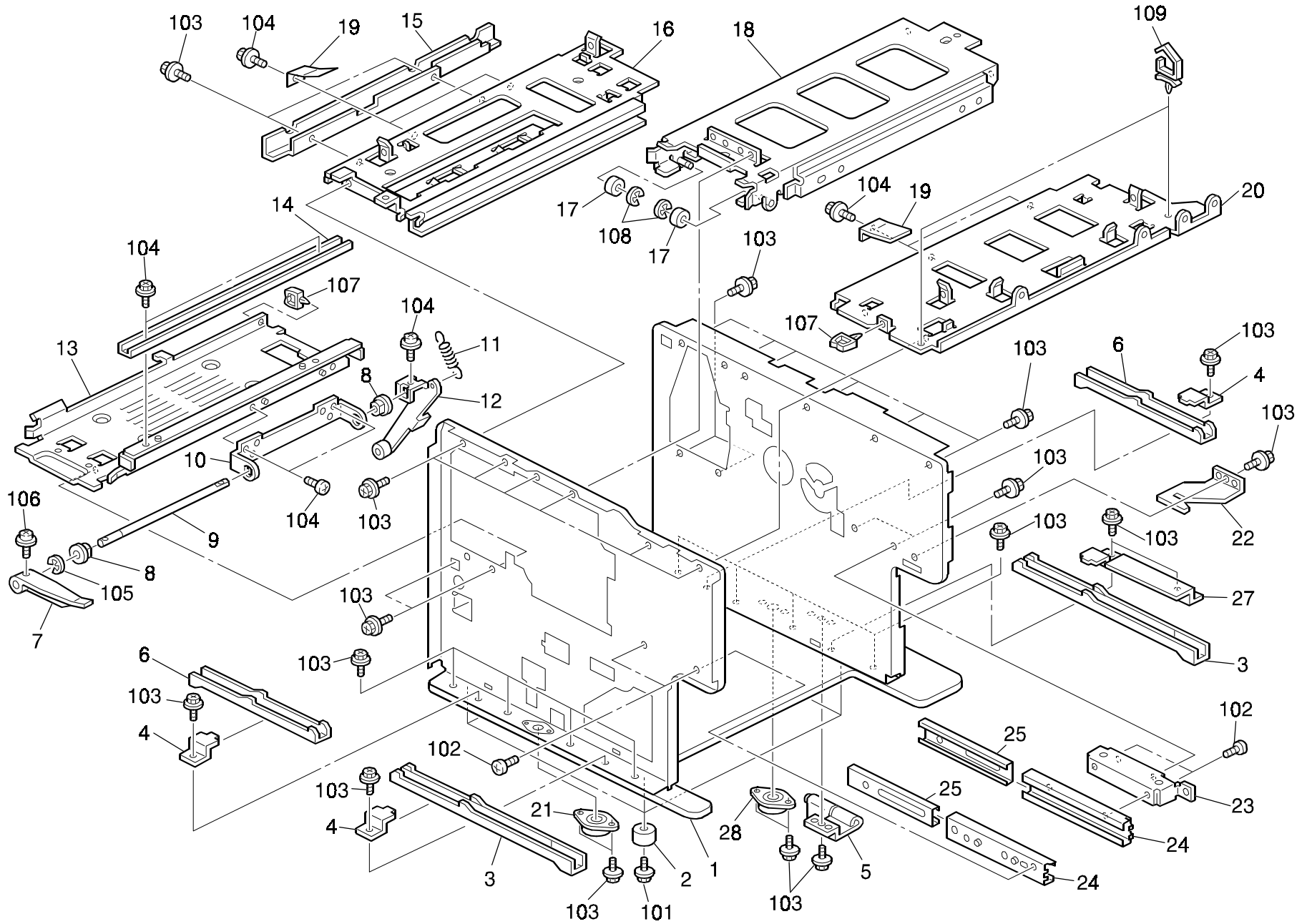
#### 4.PLATEN COVER (C232)

| Index No. | Part No.  | Description               | Q'ty Per Assembly |
|-----------|-----------|---------------------------|-------------------|
| 1         | A193 1396 | Original Holder           | 1                 |
| 2         | A193 1391 | Rear Platen Cover         | 1                 |
| 3         | A193 1381 | Platen Cover Actuator     | 1                 |
| 4         | A193 1386 | Front Platen Cover        | 1                 |
| 5         | A053 1957 | Flex Hinge - Platen Cover | 2                 |
| 6         | A193 1317 | Bracket - Platen Cover    | 1                 |
| 7         | AA16 2067 | Platen Cover Pad          | 1                 |
| 8         | 5448 2804 | Platen Cover Sheet        | 1                 |
| 9         | A193 1246 | Plate Cover Hinge Ass'y   | 1                 |
| 10        | A193 1231 | Platen Cover Ass'y        | 1                 |

| Index No. | Part No.   | Description           | Q'ty Per Assembly |
|-----------|------------|-----------------------|-------------------|
| 101       | 0450 4012B | Tapping Screw - M4x12 |                   |



# 5.FRAME SECTION 1 (C232)

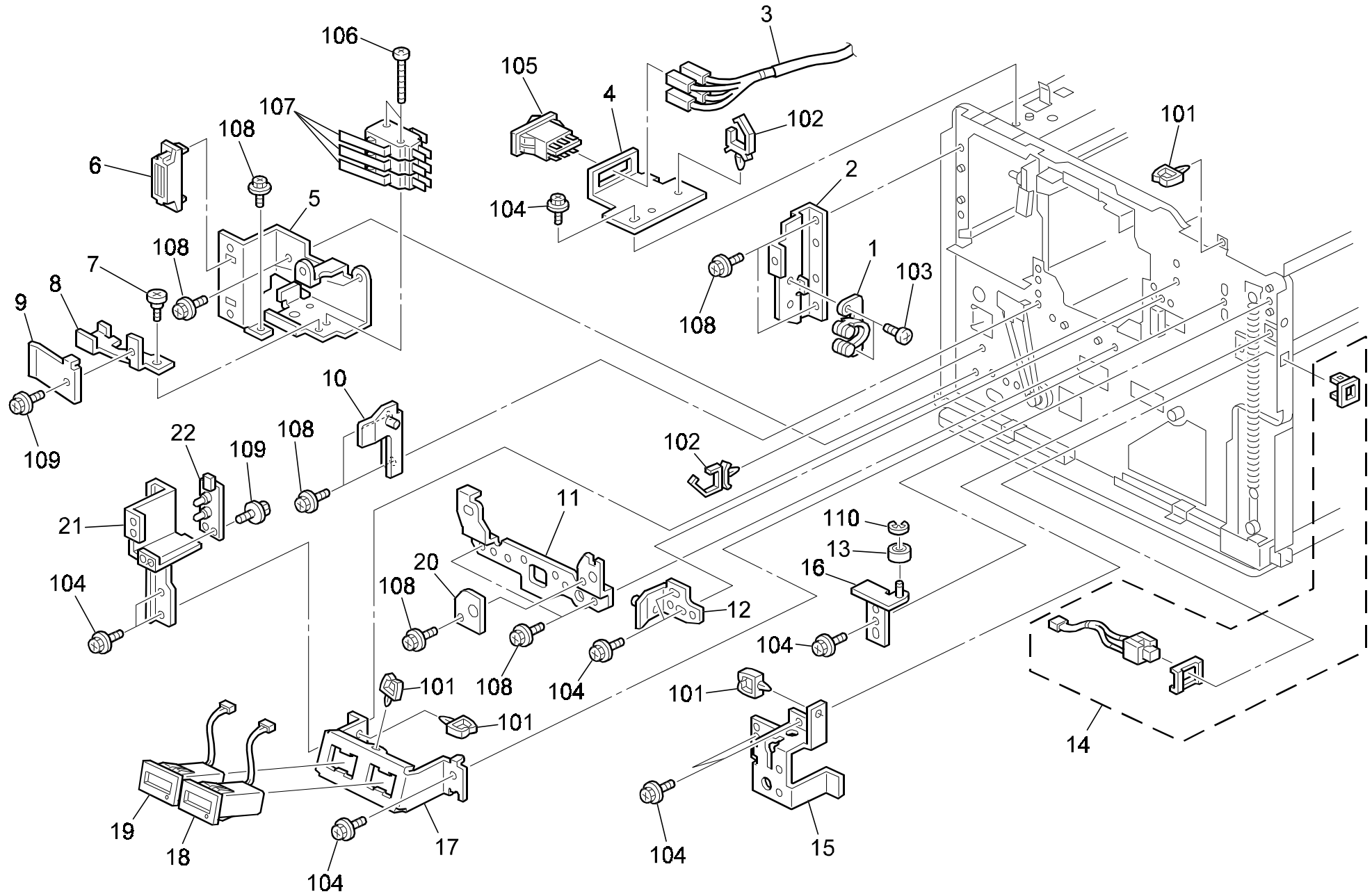


### 5.FRAME SECTION 1 (C232)

| Index No. | Part No.  | Description                        | Q'ty Per Assembly |
|-----------|-----------|------------------------------------|-------------------|
| 1         | C229 1050 | Base                               | 1                 |
| 2         | C229 1096 | Stand M28                          | 4                 |
| 3         | C229 1070 | Grip Plate - Long                  | 2                 |
| 4         | C229 1072 | Grip Guide Bracket                 | 3                 |
| 5         | C232 1150 | Joint Hinge                        | 1                 |
| 6         | C229 1071 | Grip Plate - Short                 | 2                 |
| 7         | C229 3978 | Paper Exit Pawl                    | 1                 |
| 8         | 5053 0223 | Bushing - 8mm                      | 2                 |
| 9         | C229 3977 | Paper Exit Pawl Shaft              | 1                 |
| 10        | C229 3973 | Paper Exit Pawl Bracket            | 1                 |
| 11        | C229 3975 | Paper Exit Pawl Spring             | 1                 |
| 12        | C229 3968 | Paper Exit Pawl Lever              | 1                 |
| 13        | C229 3597 | Lower Stay                         | 1                 |
| 14        | C229 3596 | Lower Guide Stay - Transfer Roller | 1                 |
| 15        | C229 1078 | Harness Cover                      | 1                 |
| 16        | C229 3590 | Upper Stay                         | 1                 |
| 17        | C229 2615 | Slide Rail Roller                  | 2                 |
| 18        | C229 2611 | Drum Rail Stay                     | 1                 |
| 19        | C229 5638 | Grounding Plate                    | 4                 |
| 20        | C229 1077 | Right Lower Stay - Scanner         | 1                 |
| 21        | C232 1153 | Front Joint Guide                  | 1                 |
| 22        | C229 2264 | Rear Stopper - Plotter             | 1                 |
| 23        | C229 2277 | Plotter Rail Bracket               | 1                 |
| 24        | C229 2275 | Plotter Rail                       | 2                 |
| 25        | C229 2276 | Middle Plotter Rail                | 2                 |
| 27        | C229 1073 | Right Grip Cover - Inner Rear      | 1                 |
| 28        | C232 1154 | Rear Joint Guide                   | 1                 |

| Index No. | Part No.   | Description                         | Q'ty Per Assembly |
|-----------|------------|-------------------------------------|-------------------|
| 101       | 0451 4010B | Tapping Screw - 4x10                |                   |
| 102       | 0801 1004  | Screw - M4X4                        |                   |
| 103       | 0451 4006B | Tapping Screw - 4x6                 |                   |
| 104       | 0451 3006B | Tapping Screw - M3x6                |                   |
| 105       | 0720 0060E | Retaining Ring - M6                 |                   |
| 106       | 0951 3006Z | Philips Screw With Flat Washer - M3 |                   |
| 107       | 1105 0199  | Clamp                               |                   |
| 108       | 0720 0040E | Retaining Ring - M4                 |                   |
| 109       | 1105 0310  | Harness Clamp - LWS-1S              |                   |

# 6.FRAME SECTION 2 (C232)

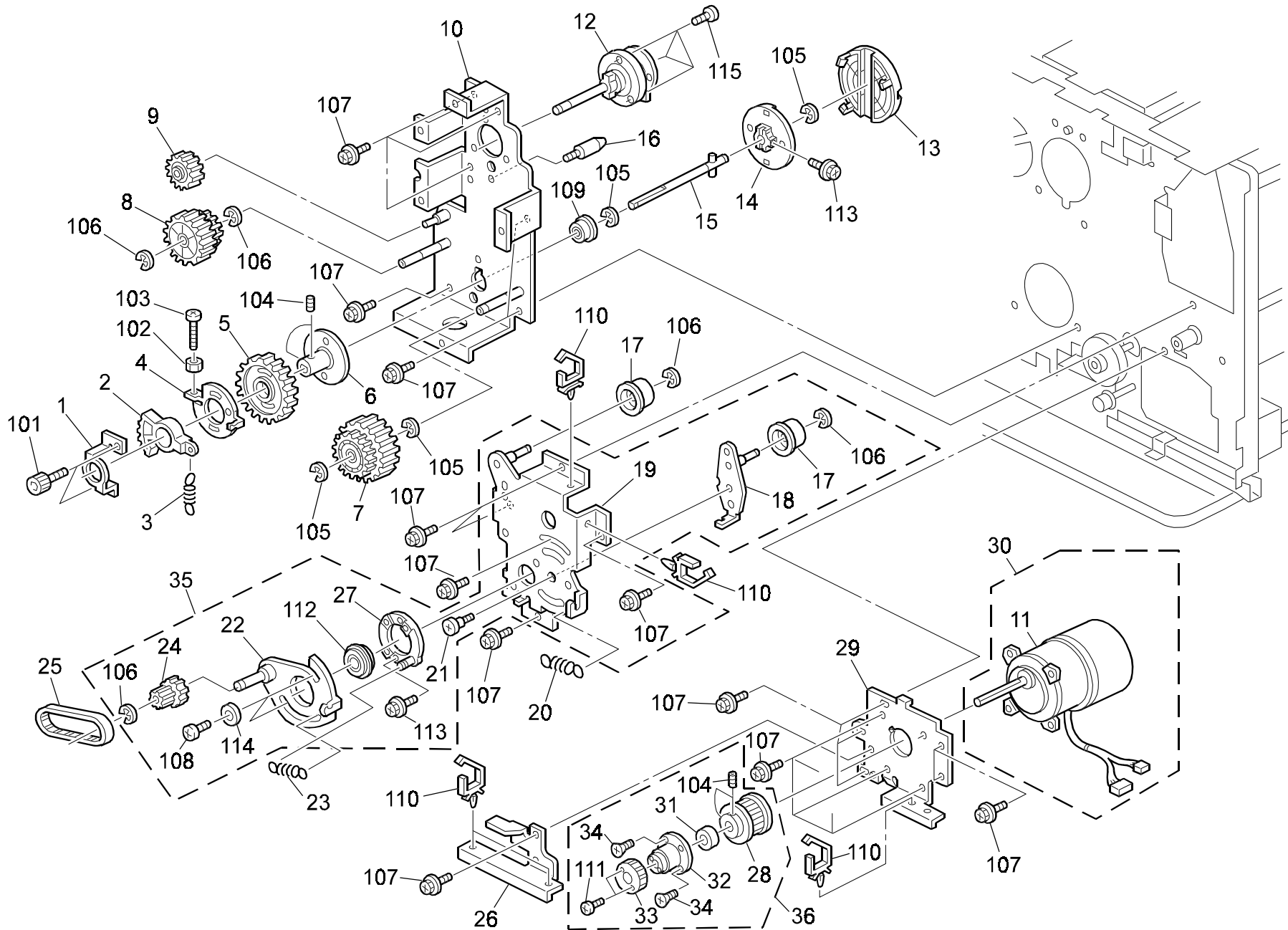


## 6.FRAME SECTION 2 (C232)

| Index No. | Part No.  | Description                 | Q'ty Per Assembly |
|-----------|-----------|-----------------------------|-------------------|
| 1         | AG07 1009 | Rotary Catch                | 1                 |
| 2         | C229 1272 | Left Cover Bracket          | 1                 |
| 3         | C229 5216 | Main Switch Harness         | 1                 |
| 4         | C229 5631 | Main Switch Bracket         | 1                 |
| 5         | C229 5644 | Safety Switch Bracket       | 1                 |
| 6         | AG07 1010 | Magnet Catch                | 1                 |
| 7         | AA14 3005 | Stepped Screw - M4x2.5      | 1                 |
| 8         | C229 5645 | Safety Switch Lever         | 1                 |
| 9         | C229 5646 | Safety Switch Spring        | 1                 |
| 10        | C229 2619 | Left Drum Lock Pin          | 1                 |
| 11        | C229 2625 | Drum Position Plate         | 1                 |
| 12        | C229 2616 | Right Drum Lock Pin         | 1                 |
| 13        | C229 2281 | Master Tension Roller       | 1                 |
| 14        | C209 8288 | Table Down Switch           | 1                 |
| 15        | C229 1290 | Upper Right Support Plate   | 1                 |
| 16        | C229 2279 | Tension Bracket             | 1                 |
| 17        | C229 5614 | Total Counter Bracket       | 1                 |
| 18        | C229 5812 | Print Counter               | 1                 |
| 19        | AX31 0024 | Total Counter               | 1                 |
| 20        | C229 2626 | Drum Position Plate - Small | 1                 |
| 21        | C232 5627 | Bracket Circuit Board LED   | 1                 |
| 22        | C232 5802 | Circuit Board LED Ass'y     | 1                 |

| Index No. | Part No.   | Description                     | Q'ty Per Assembly |
|-----------|------------|---------------------------------|-------------------|
| 101       | 1105 0199  | Clamp                           |                   |
| 102       | 1105 0310  | Harness Clamp - LWS-1S          |                   |
| 103       | 0353 0050B | Philips Truss Head Screw - M3x5 |                   |
| 104       | 0451 4006B | Tapping Screw - 4x6             |                   |
| 105       | 1204 2501  | Main Switch                     |                   |
| 106       | 0313 0350B | Philips Pan Head Screw - M3x35  |                   |
| 107       | 1204 2356  | Micro Switch - AM51612A531      |                   |
| 108       | 0451 4008B | Philips Tapping Screw - M4x8    |                   |
| 109       | 0451 3006B | Tapping Screw - M3x6            |                   |
| 110       | 0720 0030E | Retaining Ring - M3             |                   |
| 111       | 0451 3006B | Tapping Screw - M3x6            |                   |

# 7.DRIVE SECTION 1 (C232)

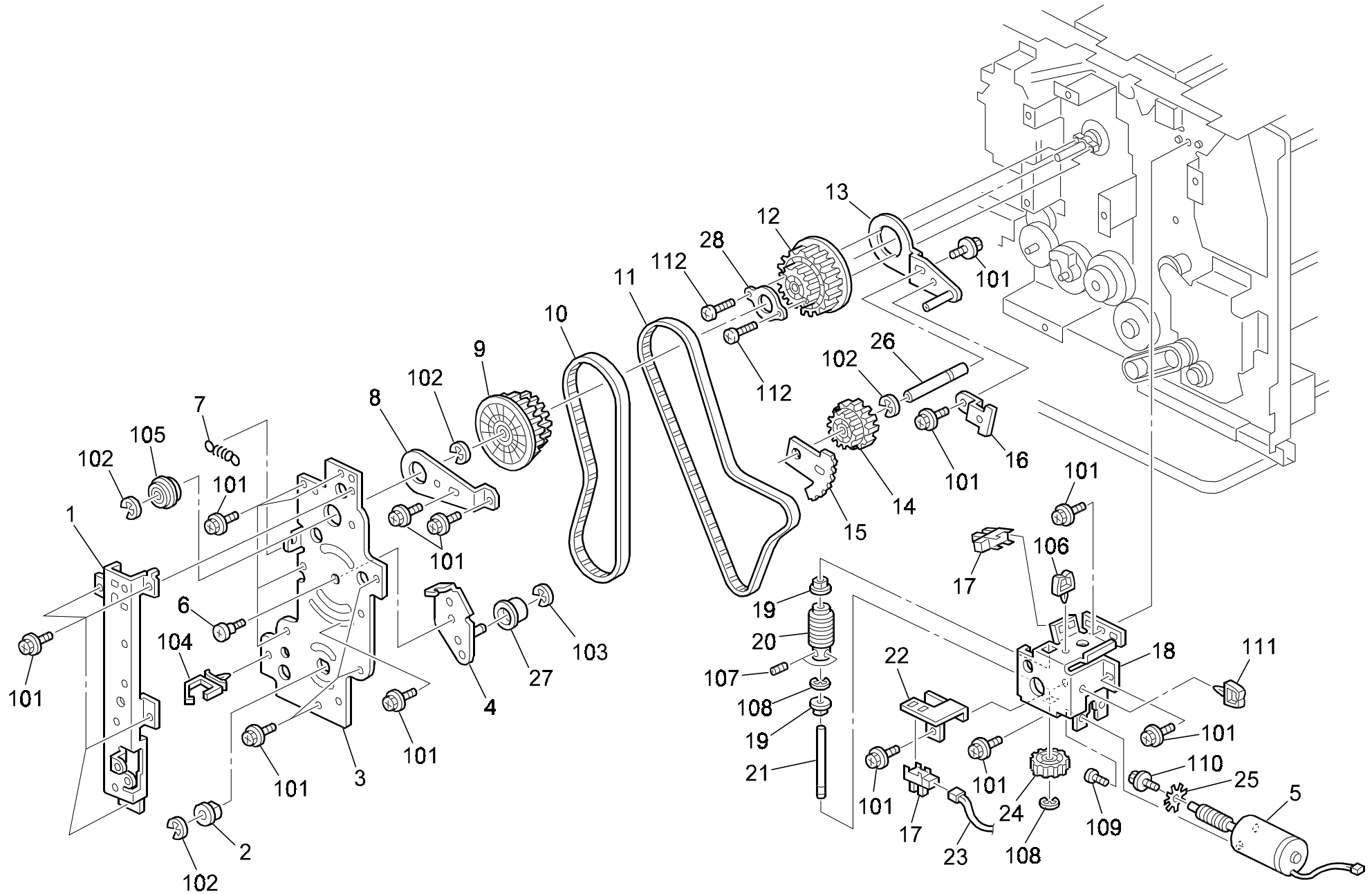


## 7.DRIVE SECTION 1 (C232)

| Index No. | Part No.  | Description                         | Q'ty Per Assembly |
|-----------|-----------|-------------------------------------|-------------------|
| 1         | C229 3185 | Gear Adjuster                       | 1                 |
| 2         | C229 3183 | Pressure Cylinder Sub Gear          | 1                 |
| 3         | C229 3186 | Pressure Spring                     | 1                 |
| 4         | C229 3184 | Stopper Flange                      | 1                 |
| 5         | C229 3182 | Pressure Cylinder Gear              | 1                 |
| 6         | C229 3181 | Adjusting Cam                       | 1                 |
| 7         | C229 1198 | Lower Timing Pulley - Cylinder Driv | 1                 |
| 8         | C229 1140 | Feed Roller Drive Gear              | 1                 |
| 9         | C207 4672 | Gear - 36Z                          | 1                 |
| 10        | C229 1101 | Drum Drive Support Plate            | 1                 |
| 11        | C229 5840 | Main Motor Gear                     | 1                 |
| 12        | C229 1090 | Drum Drive Shaft                    | 1                 |
| 13        | C233 3191 | Joint Core                          | 1                 |
| 14        | C229 3196 | Joint Flange                        | 1                 |
| 15        | C229 1028 | Pressure Cylinder Drive Shaft       | 1                 |
| 16        | C229 1192 | Drum Guide Pin                      | 1                 |
| 17        | C229 1145 | Belt Tension Roller                 | 2                 |
| 18        | C229 1048 | Tension Bracket                     | 1                 |
| 19        | C229 1067 | Tension Holder                      | 1                 |
| 20        | C229 1143 | Tension Spring                      | 1                 |
| 21        | C201 5125 | Stepped Screw - M6                  | 1                 |
| 22        | C229 1036 | Drive Bracket                       | 1                 |
| 23        | C229 1173 | Dial Spring                         | 1                 |
| 24        | C229 1151 | Gear Pulley                         | 1                 |
| 25        | C229 1154 | Timin Belt                          | 1                 |
| 26        | C229 1180 | Harness Guide                       | 1                 |
| 27        | C229 1040 | Bearing Holder                      | 1                 |
| 28        | C233 1074 | Torque Limiter 55kgf%cm             | 1                 |
| 29        | C229 1066 | Main Motor Base                     | 1                 |
| 30        | C229 5800 | Main Motor - DC24V 100W             | 1                 |
| 31        | C229 1064 | Ball Bearing 68000ZZ                | 1                 |
| 32        | C233 1079 | Shielded Sleeve - Torque Limiter    | 1                 |
| 33        | C229 1039 | Motor Gear                          | 1                 |
| 34        | C233 1065 | Screw M3x4                          | 1                 |
| 35        | C233 1035 | Torque Limiter Drive Ass'y          | 1                 |

| Index No. | Part No.   | Description                      | Q'ty Per Assembly |
|-----------|------------|----------------------------------|-------------------|
| 36        | C233 1036  | Torque Limiter Ass'y             | 1                 |
| 101       | 0595 0080E | Hexagon Bolt - M5x8              |                   |
| 102       | 0710 0040B | Hexagon Nut - M4                 |                   |
| 103       | 0314 0160B | Philips Pan Head Screw - M4x16   |                   |
| 104       | C229 1063  | Hexagon Screw - M5x4             |                   |
| 105       | 0720 0080E | Retaining Ring - M8              |                   |
| 106       | 0720 0060E | Retaining Ring - M6              |                   |
| 107       | 0451 4006B | Tapping Screw - 4x6              |                   |
| 108       | 0951 4008B | Philips Screw With Washer - M4x8 |                   |
| 109       | 0805 3205  | Ball Bearing - 10x19x7mm         |                   |
| 110       | 1105 0413  | Harness Clamp                    |                   |
| 111       | 0313 0120B | Philips Pan Head Screw - M3x12   |                   |
| 112       | 0805 3444  | Ball Bearing - 25x37x7           |                   |
| 113       | 0451 4008B | Philips Tapping Screw - M4x8     |                   |
| 114       | 0807 3033  | Washer - M4.5                    |                   |
| 115       | 0801 1004  | Screw - M4X4                     |                   |

# 8.DRIVE SECTION 2 (C232)



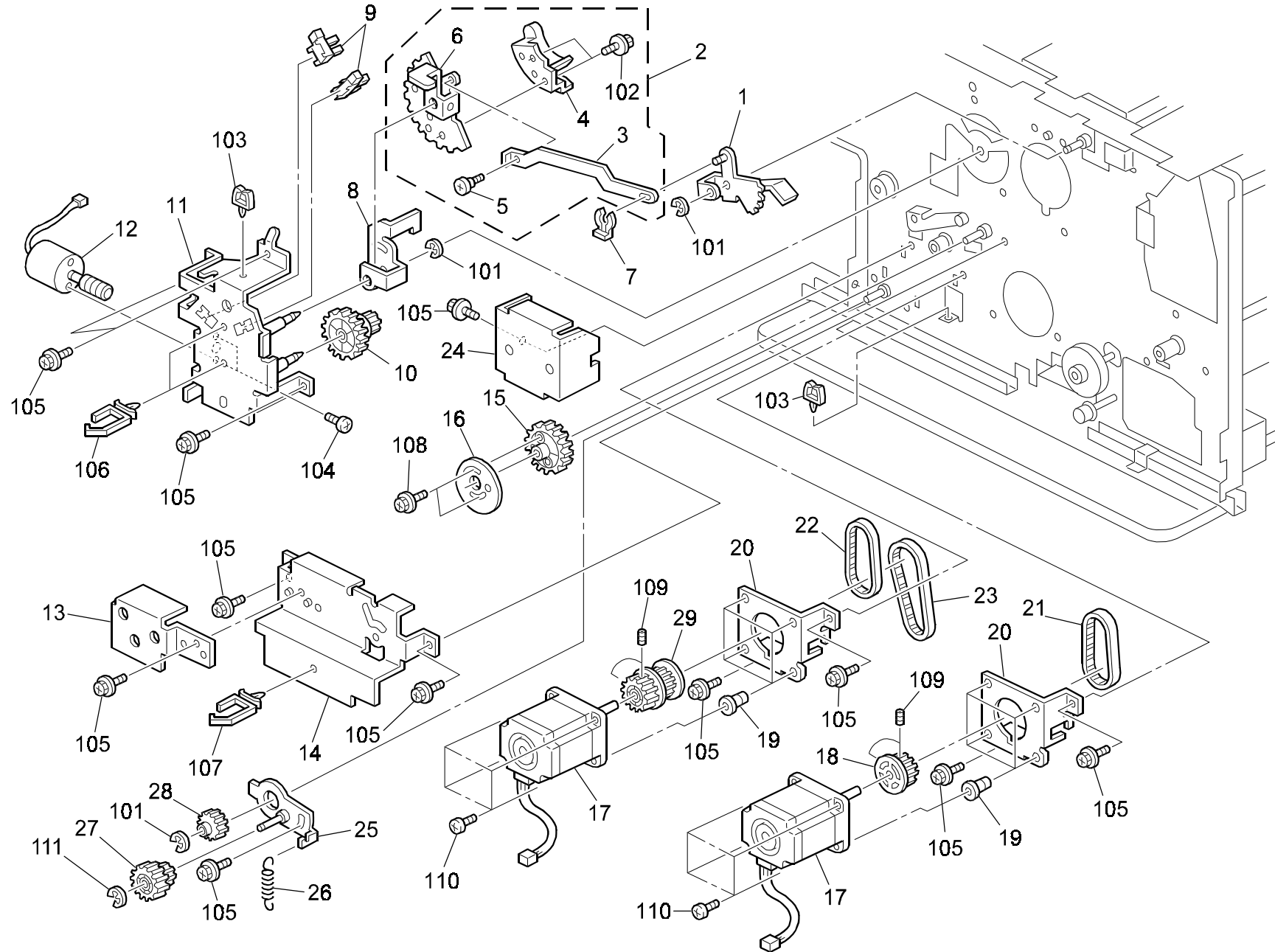
## 8.DRIVE SECTION 2 (C232)

| Index No. | Part No.  | Description                         | Q'ty Per Assembly |
|-----------|-----------|-------------------------------------|-------------------|
| 1         | C229 5628 | Board Holder Stay                   | 1                 |
| 2         | 5053 0419 | Bushing - 10mm                      | 1                 |
| 3         | C229 1128 | Drive Support Bracket               | 1                 |
| 4         | C229 1048 | Tension Bracket                     | 1                 |
| 5         | C229 5820 | DC Motor - 20W                      | 1                 |
| 6         | C201 5125 | Stepped Screw - M6                  | 1                 |
| 7         | C229 1143 | Tension Spring                      | 1                 |
| 8         | C229 1127 | Right Support Plate                 | 1                 |
| 9         | C229 1094 | Timing Pulley - Pressure Cylinder   | 1                 |
| 10        | C229 1187 | Timing Belt - Pressure Cylinder Dri | 1                 |
| 11        | C229 1142 | Timing Belt - S5M780                | 1                 |
| 12        | C229 1092 | Timing Pulley - Drum Drive          | 1                 |
| 13        | C229 1123 | Left Image Shaft Support Plate      | 1                 |
| 14        | C229 1130 | Relay Gear Ass'y                    | 1                 |
| 15        | C229 1124 | Sector Gear - Image Shift           | 1                 |
| 16        | C229 1126 | Sensor Acuator                      | 1                 |
| 17        | AW02 0075 | Photointerruptor                    | 2                 |
| 18        | C229 1174 | Image Shift Motor Bracket           | 1                 |
| 19        | 5053 0447 | Bushing - 6mm                       | 2                 |
| 20        | C229 1175 | Worm Wheel                          | 1                 |
| 21        | C229 1179 | Image Shift Drive Shaft             | 1                 |
| 22        | C229 1178 | Sensor Bracket                      | 1                 |
| 23        | C229 5232 | Encoder Harness                     | 1                 |
| 24        | C229 1176 | Worm Gear                           | 1                 |
| 25        | C229 1177 | Shift Sensor Encrder                | 1                 |
| 26        | C229 1121 | Relay Gear Shaft                    | 1                 |
| 27        | C229 1145 | Belt Tension Roller                 | 1                 |
| 28        | C229 1093 | Timing Pulley Bracket               | 1                 |

| Index No. | Part No.   | Description                       | Q'ty Per Assembly |
|-----------|------------|-----------------------------------|-------------------|
| 101       | 0451 4006B | Tapping Screw - 4x6               |                   |
| 102       | 0720 0080E | Retaining Ring - M8               |                   |
| 103       | 0720 0060E | Retaining Ring - M6               |                   |
| 104       | 1105 0413  | Harness Clamp                     |                   |
| 105       | 0805 3134  | Ball Bearing - 10x26x8mm          |                   |
| 106       | 1105 0199  | Clamp                             |                   |
| 107       | 0573 0040E | Hexagon Headless Set Screw - M3x4 |                   |
| 108       | 0720 0040E | Retaining Ring - M4               |                   |
| 109       | 0353 0040B | Screw - M3X4                      |                   |
| 110       | 0451 3006B | Tapping Screw - M3x6              |                   |
| 111       | 1105 0229  | Clamp                             |                   |
| 112       | 0594 0200E | Hexagon Bolt - M4x20              |                   |



# 9.DRIVE SECTION 3 (C232)



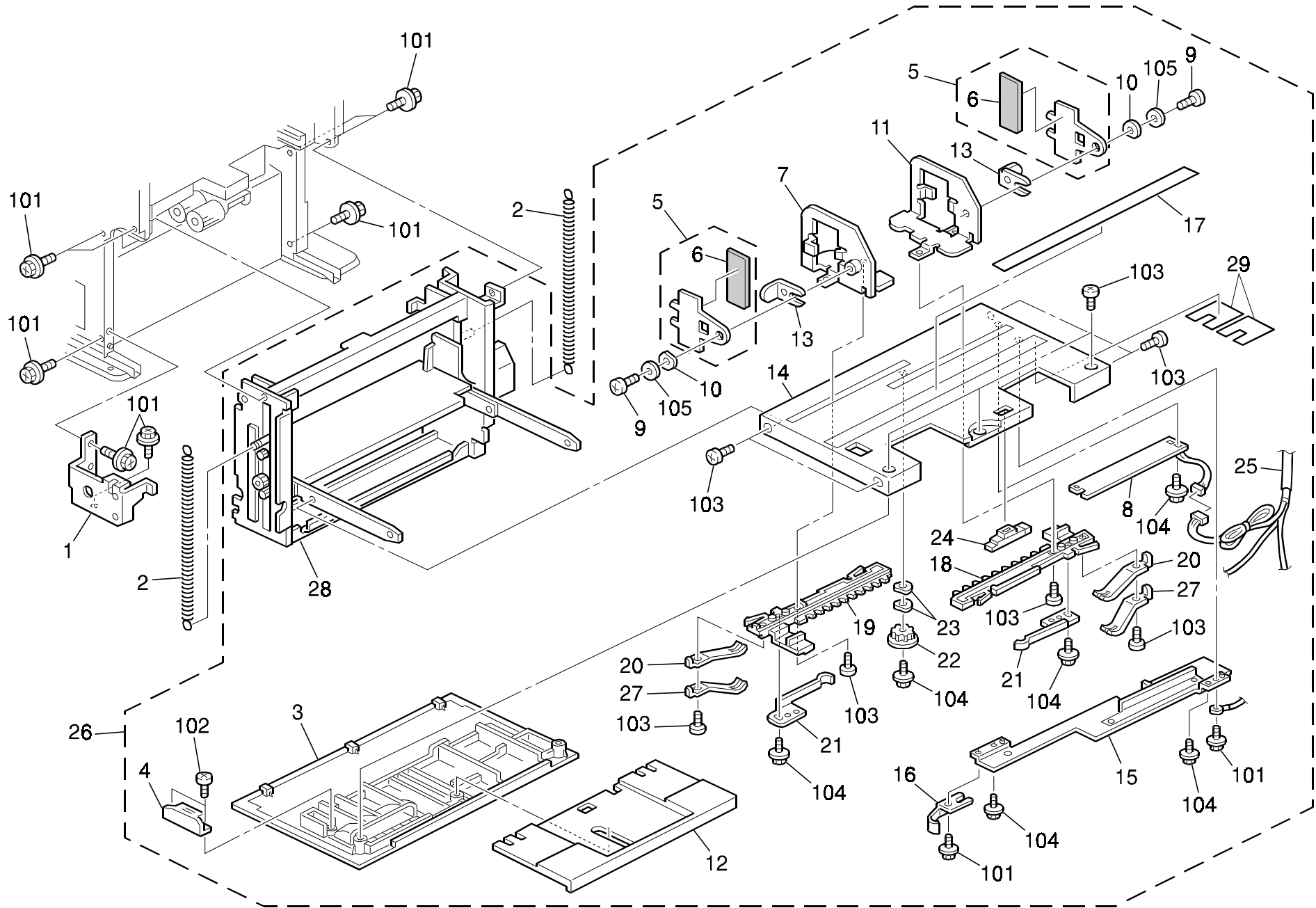
### 9.DRIVE SECTION 3 (C232)

| Index No. | Part No.  | Description                | Q'ty Per Assembly |
|-----------|-----------|----------------------------|-------------------|
| 1         | C229 4001 | Eject Clamper Open Arm     | 1                 |
| 2         | C229 4050 | Sector Guide Ass'y         | 1                 |
| 3         | C229 4051 | Joint Link                 | 1                 |
| 4         | C229 4053 | Guide Pin                  | 1                 |
| 5         | C229 3522 | Stepped Screw              | 1                 |
| 6         | C229 4052 | Sector Gear                | 1                 |
| 7         | 5447 2681 | Snap Ring                  | 1                 |
| 8         | C229 4054 | Sector Arm                 | 1                 |
| 9         | AW02 0075 | Photointerruptor           | 2                 |
| 10        | C229 4056 | Worm Gear                  | 1                 |
| 11        | C229 4057 | Clamper Motor Bracket      | 1                 |
| 12        | C229 5803 | DC Motor - 50W             | 1                 |
| 13        | C229 2931 | Pulley Cover               | 1                 |
| 14        | C229 2930 | Guide Plate                | 1                 |
| 15        | C229 2927 | Pressuer Release Gear      | 1                 |
| 16        | C229 2929 | Pressuer Release Cam       | 1                 |
| 17        | C232 5801 | Stepped Motor - DC24V 12W  | 2                 |
| 18        | C232 2946 | Pulley - 20Z               | 1                 |
| 19        | C403 1899 | Rubber Bushing - M4        | 8                 |
| 20        | C229 5731 | Paper Feed Motor Bracket   | 2                 |
| 21        | C229 2948 | Timing Belt - 80-XL-050    | 1                 |
| 22        | C232 2859 | Timing Belt - 80-XL-037    | 1                 |
| 23        | C232 2860 | Timing Belt - B100-S3M-225 | 1                 |
| 24        | C232 2861 | Pulley Cover               | 1                 |
| 25        | C232 2851 | Drive Pulley Bracket       | 1                 |
| 26        | AA06 0137 | Pick-up Spring             | 1                 |
| 27        | C232 2858 | Drive Gear - 20/24Z        | 1                 |
| 28        | C203 5220 | Gear - 18T                 | 1                 |
| 29        | C232 2849 | Pulley - 20/30Z            | 1                 |

| Index No. | Part No.   | Description                       | Q'ty Per Assembly |
|-----------|------------|-----------------------------------|-------------------|
| 101       | 0720 0060E | Retaining Ring - M6               |                   |
| 102       | 0451 3006B | Tapping Screw - M3x6              |                   |
| 103       | 1105 0199  | Clamp                             |                   |
| 104       | 0353 0040B | Screw - M3X4                      |                   |
| 105       | 0451 4006B | Tapping Screw - 4x6               |                   |
| 106       | 1105 0291  | Harness Clamp - LWS-3S            |                   |
| 107       | 1105 0413  | Harness Clamp                     |                   |
| 108       | 0450 4010B | Tapping Screw - 4x10              |                   |
| 109       | 0574 0040E | Hexagon Headless Set Screw - M4x4 |                   |
| 110       | 0354 0140B | Screw - M4X14                     |                   |
| 111       | 0720 0040E | Retaining Ring - M4               |                   |



# 10.PAPER FEED SECTION 1 (C232)

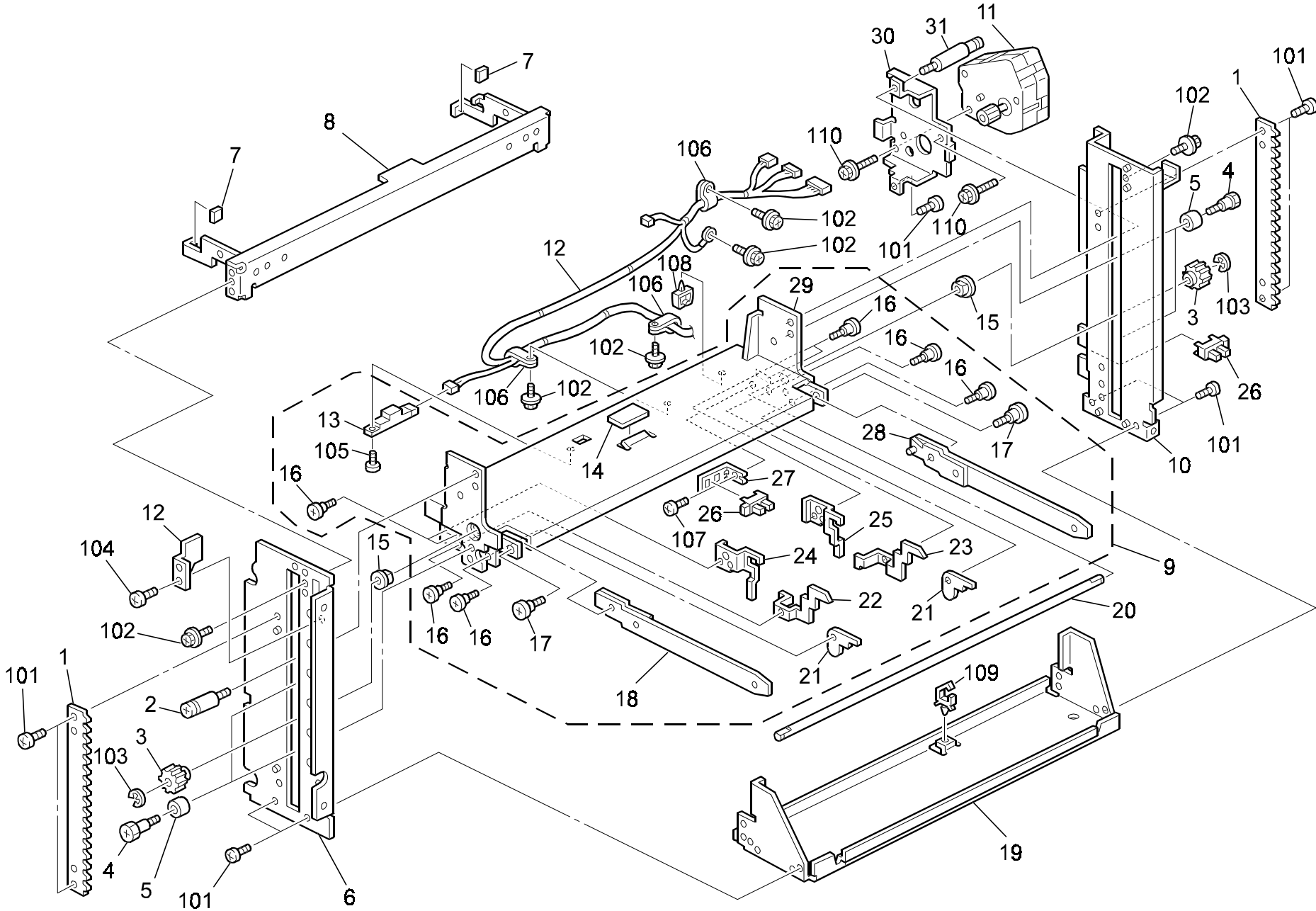


## 10.PAPER FEED SECTION 1 (C232)

| Index No. | Part No.  | Description                    | Q'ty Per Assembly |
|-----------|-----------|--------------------------------|-------------------|
| 1         | C229 1291 | Support Plate - Right Lower    | 1                 |
| 2         | C229 2828 | Lift Up Spring - Paper Tray    | 2                 |
| 3         | C232 2774 | Paper Tray Cover               | 1                 |
| 4         | 5054 0536 | Magnet Catch Ass'y             | 1                 |
| 5         | C232 2769 | Side Fence Ass'y               | 2                 |
| 6         | C232 2771 | Side Fence Pad                 | 2                 |
| 7         | C232 2802 | Left Side Fence                | 1                 |
| 8         | C229 5155 | Paper Size Sensor Board        | 1                 |
| 9         | 5506 1536 | Screw - M4X6                   | 2                 |
| 10        | 5070 0923 | Spring Washer - Rotating Table | 2                 |
| 11        | C232 2791 | Right Side Fence               | 1                 |
| 12        | C232 2775 | Paper Tray - Sub               | 1                 |
| 13        | C209 5092 | Rubber Plate Lever             | 2                 |
| 14        | C232 2773 | Paper Tray                     | 1                 |
| 15        | C229 2955 | Ground Plate                   | 1                 |
| 16        | C229 2952 | Spring Plate - Paper Tray      | 1                 |
| 17        | C229 2951 | Decal - Paper Size             | 1                 |
| 18        | C229 2780 | Side Fence Rack - Right        | 1                 |
| 19        | C229 2781 | Side Fence Rack                | 1                 |
| 20        | C229 2784 | Grounding Plate                | 2                 |
| 21        | C229 2794 | Tension Spring Plate           | 2                 |
| 22        | G011 3305 | Gear - 16T                     | 1                 |
| 23        | 5443 2713 | Wave Washer                    | 2                 |
| 24        | C229 5807 | Photosensor - GP2A25           | 1                 |
| 25        | C232 5236 | Harness - Original Size Sensor | 1                 |
| 26        | C232 2767 | Paper Tray Unit                | 1                 |
| 27        | C229 2954 | Spring Plate                   | 2                 |
| 28        | C232 2744 | Paper Feed Unit                | 1                 |
| 29        | C232 2779 | Sheet Harness Clamp            | 2                 |

| Index No. | Part No.   | Description                   | Q'ty Per Assembly |
|-----------|------------|-------------------------------|-------------------|
| 101       | 0451 4006B | Tapping Screw - 4x6           |                   |
| 102       | 0452 3006B | Tapping Screw - M3x6          |                   |
| 103       | 0353 0060B | Philips Pan Head Screw - M3x6 |                   |
| 104       | 0450 3006B | Tapping Screw - M3x6          |                   |
| 105       | 0701 0080Z | Flat Washer - M8              |                   |
| 106       | 0452 4008H | Tapping Screw - M4x8          |                   |

11.PAPER FEED SECTION 2 (C232)

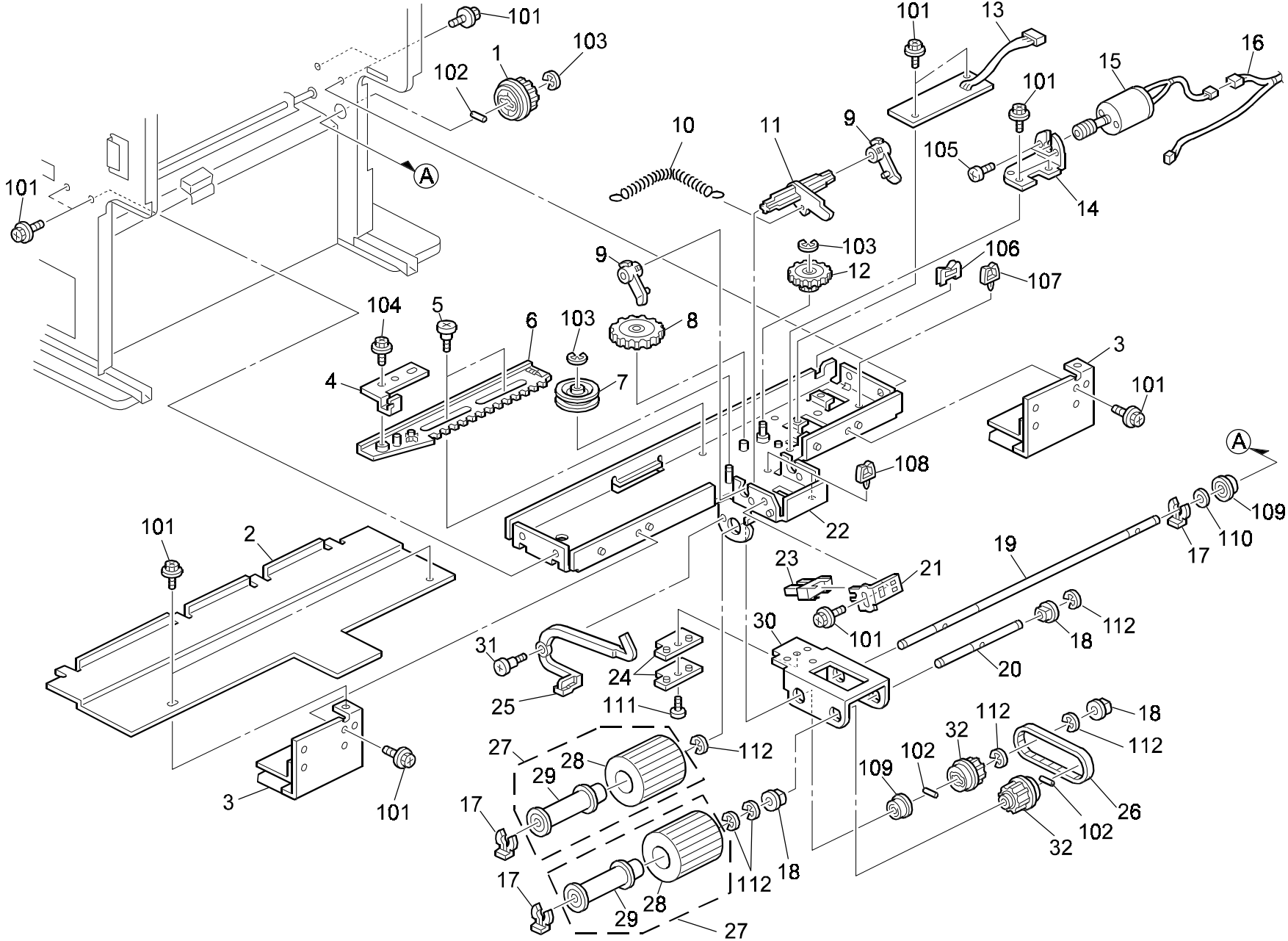


## 11.PAPER FEED SECTION 2 (C232)

| Index No. | Part No.  | Description                  | Q'ty Per Assembly |
|-----------|-----------|------------------------------|-------------------|
| 1         | C229 2755 | Lift Up Rack - Paper Table   | 2                 |
| 2         | C229 2827 | Spring Anchor - Left         | 1                 |
| 3         | C229 2824 | Gear - 20Z                   | 2                 |
| 4         | C229 2829 | Lift Up Shaft                | 4                 |
| 5         | 5606 2310 | Roller                       | 4                 |
| 6         | C229 2754 | Left Side Plate              | 1                 |
| 7         | C229 2761 | Cusion                       | 2                 |
| 8         | C229 2756 | Upper Stay                   | 1                 |
| 9         | C229 2805 | Paper Table Ass'y            | 1                 |
| 10        | C229 2751 | Right Side Plate             | 1                 |
| 11        | C229 5814 | DC Motor - 24V               | 1                 |
| 12        | C232 2841 | Magnetic Guide Plate         | 1                 |
| 13        | C229 5807 | Photosensor - GP2A25         | 1                 |
| 14        | C229 2840 | Pad                          | 1                 |
| 15        | 5053 0223 | Bushing - 8mm                | 2                 |
| 16        | 5151 1009 | Shoulder Screw - M4          | 8                 |
| 17        | 5607 3927 | Stepped Screw - M3x8         | 2                 |
| 18        | C229 2776 | Left Stay - Paper Table      | 1                 |
| 19        | C232 2757 | Lower Stay                   | 1                 |
| 20        | C229 2823 | Table Lift Shaft             | 1                 |
| 21        | C229 2820 | Pressuer Release Plate       | 2                 |
| 22        | C229 2817 | Pressuer Release Arm - Left  | 1                 |
| 23        | C229 2816 | Pressuer Release Arm - Right | 1                 |
| 24        | C229 2815 | Left Adjusting Plate         | 1                 |
| 25        | C229 2814 | Right Adjusting Plate        | 1                 |
| 26        | AW02 0075 | Photointerruptor             | 1                 |
| 27        | C229 2810 | Paper Set Sensor Bracket     | 1                 |
| 28        | C229 2775 | Right Stay - Paper Table     | 1                 |
| 29        | C229 2807 | Paper Table - Fix            | 1                 |
| 30        | C229 5730 | Paper Table Motor Bracket    | 1                 |
| 31        | C229 2826 | Spring Anchor - Right        | 1                 |

| Index No. | Part No.   | Description                       | Q'ty Per Assembly |
|-----------|------------|-----------------------------------|-------------------|
| 101       | 0354 0050B | Bind Screw - M4x5                 |                   |
| 102       | 0451 4006B | Tapping Screw - 4x6               |                   |
| 103       | 0720 0050Z | Retaining Ring - M5               |                   |
| 104       | 0353 0040B | Screw - M3X4                      |                   |
| 105       | 0451 3006B | Tapping Screw - M3x6              |                   |
| 106       | 1105 0005  | Nylon Clamp - 3n                  |                   |
| 107       | 0353 0040B | Screw - M3X4                      |                   |
| 108       | 1105 0229  | Clamp                             |                   |
| 109       | 1105 0310  | Harness Clamp - LWS-1S            |                   |
| 110       | 0450 4025B | Tapping Screw With Washer - M4x25 |                   |

12.PAPER FEED SECTION 3 (C232)



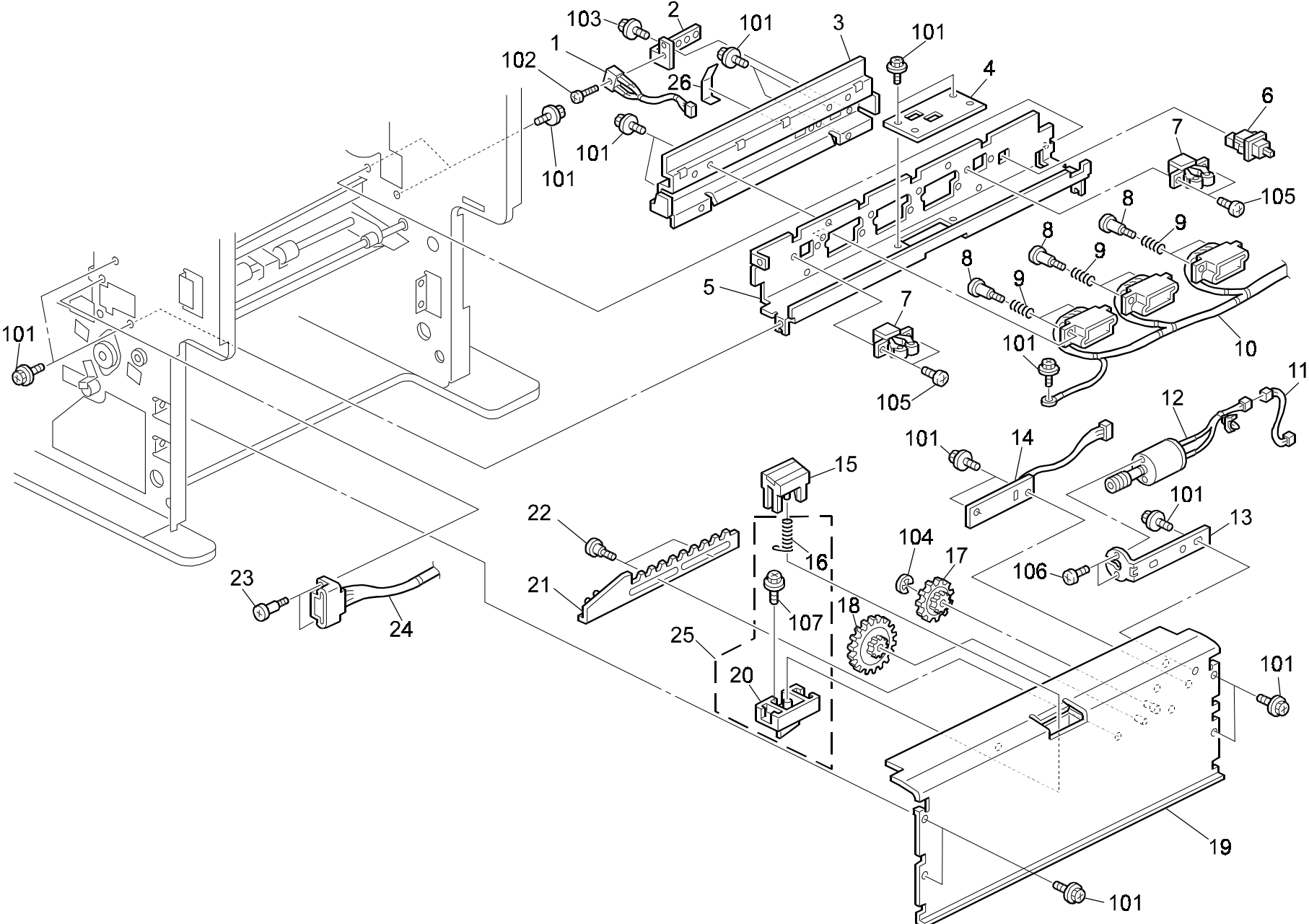
## 12.PAPER FEED SECTION 3 (C232)

| Index No. | Part No.         | Description                    | Q'ty Per Assembly |
|-----------|------------------|--------------------------------|-------------------|
| 1         | C232 2857        | Pulley - 20Z                   | 1                 |
| 2         | C229 5733        | Harness Cover - Paper Feed     | 1                 |
| 3         | C229 2845        | Paper Feed Guide Plate         | 2                 |
| 4         | C229 2860        | Spring Bracket                 | 1                 |
| 5         | 5419 5714        | Stepped Screw - M4             | 2                 |
| 6         | C229 2858        | Separation Control Rack        | 1                 |
| 7         | C200 3712        | Pulley                         | 1                 |
| 8         | C229 2857        | Gear - 14Z/42Z                 | 1                 |
| 9         | C229 2863        | Bushing                        | 2                 |
| 10        | C229 2861        | Paper Pressuer Spring          | 1                 |
| 11        | C229 2862        | Paper Pressuer Lever           | 1                 |
| 12        | C229 2856        | Worm Wheel Gear - 14Z/40Z      | 1                 |
| 13        | C229 5157        | Paper Pressure Board           | 1                 |
| 14        | C229 5732        | Feed Pressuer Morot Bracket    | 1                 |
| 15        | C217 8447        | DC Motor - 24V/7.2W            | 1                 |
| 16        | C229 5206        | Paper Pressure Harness         | 1                 |
| 17        | C209 3133        | Retaining Ring - M6            | 3                 |
| 18        | 5053 0223        | Bushing - 8mm                  | 3                 |
| 19        | C232 2839        | Feed Roller Shaft              | 1                 |
| 20        | C229 2838        | Pick-up Roller Shaft           | 1                 |
| 21        | C229 2866        | Height Sensor Bracket          | 1                 |
| 22        | C229 2850        | Paper Feed Stay                | 1                 |
| 23        | AW02 0075        | Photointerruptor               | 1                 |
| 24        | C229 2834        | Balancer Arm                   | 2                 |
| 25        | C229 2864        | Paper Sensor Feller            | 1                 |
| 26        | C229 2949        | Timing Belt - 75-MXL-64        | 1                 |
| 27        | <b>C229 2835</b> | <b>Paper Feed Roller Ass'y</b> | <b>2</b>          |
| 28        | C229 2836        | Paper Feed Roller              | 2                 |
| 29        | C229 2837        | Paper Feed Roller - Center     | 2                 |
| 30        | C229 2833        | Paper Feed Arm                 | 1                 |
| 31        | 5219 1957        | Stepped Screw - M4             | 1                 |
| 32        | C229 2950        | Feed Rooler Drive Pulley       | 2                 |

| Index No. | Part No.   | Description             | Q'ty Per Assembly |
|-----------|------------|-------------------------|-------------------|
| 101       | 0451 4006B | Tapping Screw - 4x6     |                   |
| 102       | 0633 0140G | Parallel Pin - 3x14     |                   |
| 103       | 0720 0060E | Retaining Ring - M6     |                   |
| 104       | 0450 4006B | Tapping Screw - 4x6     |                   |
| 105       | 0353 0040B | Screw - M3X4            |                   |
| 106       | 1105 0329  | Clamp - ES-0510         |                   |
| 107       | 1105 0230  | Clamp                   |                   |
| 108       | 1105 0199  | Clamp                   |                   |
| 109       | 0805 3368  | Ball Bearing - 8x16x5mm |                   |
| 110       | 0807 5037  | Washer - 8.1mm          |                   |
| 111       | 0354 0080B | Screw - M4X8            |                   |
| 112       | 0720 0050Z | Retaining Ring - M5     |                   |



# 13.PAPER FEED SECTION 4 (C232)

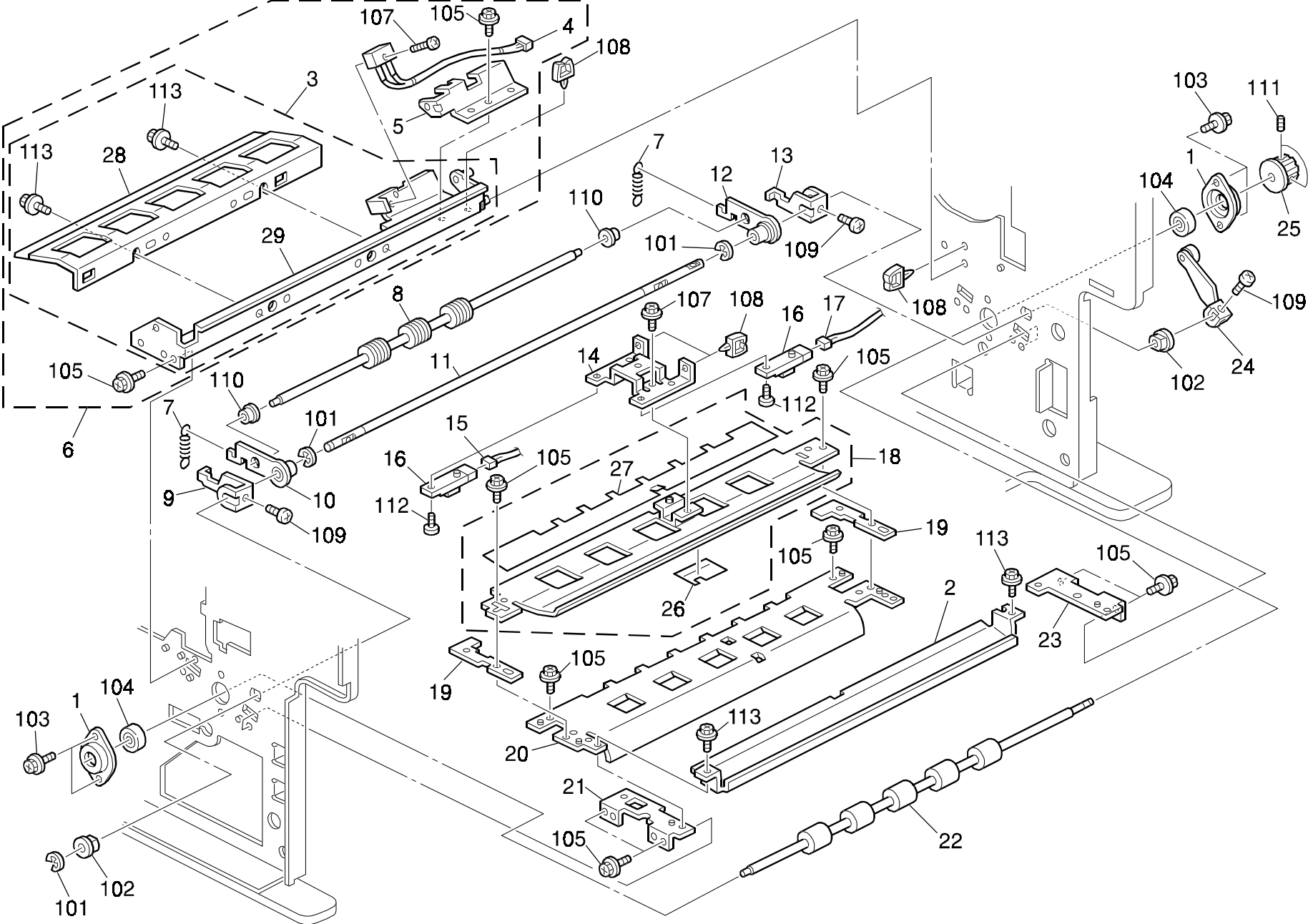


### 13.PAPER FEED SECTION 4 (C232)

| Index No. | Part No.         | Description                       | Q'ty Per Assembly |
|-----------|------------------|-----------------------------------|-------------------|
| 1         | C229 5825        | Master Sensor                     | 1                 |
| 2         | C229 2265        | Sensor Bracket                    | 1                 |
| 3         | C229 2262        | Plotter Connector Bracket Cover   | 1                 |
| 4         | C229 2261        | Connector Plate                   | 1                 |
| 5         | C229 2260        | Plotter Connector Bracket         | 1                 |
| 6         | AW50 0012        | Push Switch                       | 1                 |
| 7         | C229 2267        | Lock Holder                       | 2                 |
| 8         | AA14 3120        | Stepped Screw - M3x3              | 6                 |
| 9         | AA06 3163        | Connector Spring                  | 6                 |
| 10        | C232 5210        | Plotter Relay Harness             | 1                 |
| 11        | C229 5238        | Separation Pressure Motor Harness | 1                 |
| 12        | C217 8447        | DC Motor - 24V/7.2W               | 1                 |
| 13        | C229 2884        | Separation Pressure Motor Bracket | 1                 |
| 14        | C229 5157        | Paper Pressure Board              | 1                 |
| 15        | <b>C233 2883</b> | <b>Separation Pad Ass'y</b>       | <b>1</b>          |
| 16        | C229 2878        | Pressuer Spring                   | 1                 |
| 17        | C229 2856        | Worm Wheel Gear - 14Z/40Z         | 1                 |
| 18        | C229 2857        | Gear - 14Z/42Z                    | 1                 |
| 19        | C229 2871        | Paper Guide Plate                 | 1                 |
| 20        | C229 2877        | Paper Pressuer Lever              | 1                 |
| 21        | C229 2858        | Separation Control Rack           | 1                 |
| 22        | 5419 5714        | Stepped Screw - M4                | 2                 |
| 23        | C229 2633        | Stepped Screw                     | 2                 |
| 24        | C229 5208        | Relay Harness - Ink Sensor        | 1                 |
| 25        | C229 2870        | Paper Pressure Lever Ass'y        | 1                 |
| 26        | C229 2266        | Mylar 14x46.5                     | 1                 |

| Index No. | Part No.   | Description                   | Q'ty Per Assembly |
|-----------|------------|-------------------------------|-------------------|
| 101       | 0451 4006B | Tapping Screw - 4x6           |                   |
| 102       | 0352 0080B | Screw M2.5x8                  |                   |
| 103       | 0451 3006B | Tapping Screw - M3x6          |                   |
| 104       | 0720 0060E | Retaining Ring - M6           |                   |
| 105       | 0313 0060B | Philips Pan Head Screw - M3x6 |                   |
| 106       | 0353 0040B | Screw - M3X4                  |                   |
| 107       | 0450 3006B | Tapping Screw - M3x6          |                   |

14.PAPER FEED SECTION 5 (C232)

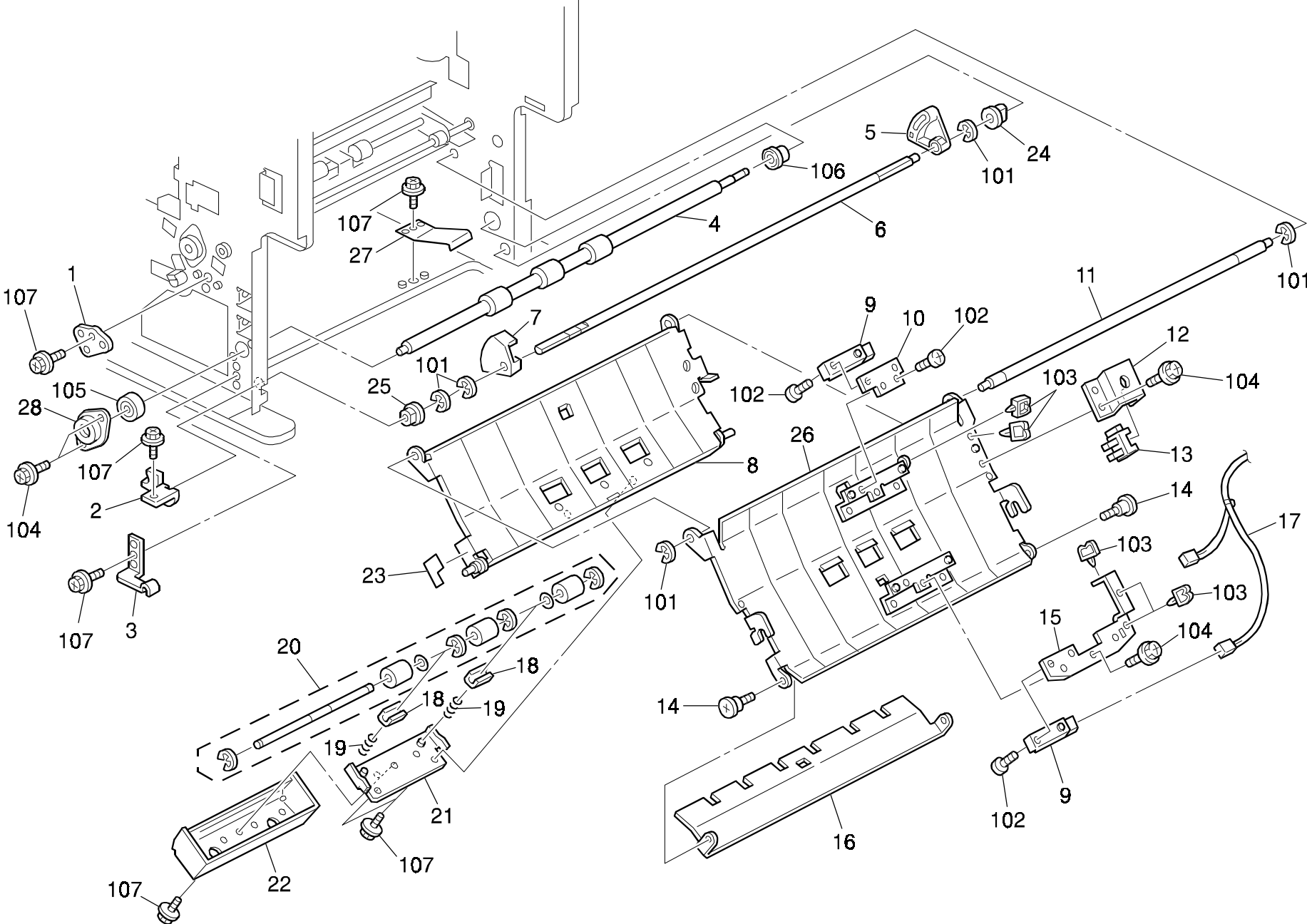


## 14.PAPER FEED SECTION 5 (C232)

| Index No. | Part No.  | Description                       | Q'ty Per Assembly |
|-----------|-----------|-----------------------------------|-------------------|
| 1         | C200 2266 | Bearing Holder                    | 2                 |
| 2         | C232 2916 | Transport Guide Plate             | 1                 |
| 3         | C229 2944 | Drum Master Sensor Sub-ass'y      | 1                 |
| 4         | C229 5825 | Master Sensor                     | 1                 |
| 5         | C229 5739 | Master Sensor Cover               | 1                 |
| 6         | C229 2935 | Drum Master Sensor Ass'y          | 1                 |
| 7         | C232 2901 | Pressure Roller Spring 9.8n       | 2                 |
| 8         | C229 2904 | Feed Roller - Upper               | 1                 |
| 9         | C229 2899 | Pressure Release Lock Arm - Left  | 1                 |
| 10        | C229 2894 | Left Pressuer Arm                 | 1                 |
| 11        | C229 2900 | Pressure Release Shaft            | 1                 |
| 12        | C229 2893 | Right Pressuer Arm                | 1                 |
| 13        | C229 2898 | Pressure Release Lock Arm - Right | 1                 |
| 14        | C229 2921 | Registration Sensor Bracket       | 1                 |
| 15        | C229 5240 | Paper Feed Harness                | 1                 |
| 16        | C229 5807 | Photosensor - GP2A25              | 2                 |
| 17        | C229 5232 | Encoder Harness                   | 1                 |
| 18        | C232 2910 | Upper Feed Guide Plate            | 1                 |
| 19        | C229 2919 | Guide Plate Spacer                | 2                 |
| 20        | C232 2918 | Lower Feed Guide Plate            | 1                 |
| 21        | C229 2923 | Left Bracket - Guide Plate        | 1                 |
| 22        | C229 2906 | Lower Registration Roller         | 1                 |
| 23        | C229 2922 | Right Bracket - Guide Plate       | 1                 |
| 24        | C217 5126 | Cam Follower Plate                | 1                 |
| 25        | C229 2907 | Registration Roller Pulley - 14Z  | 1                 |
| 26        | C232 2915 | Upper Entrance Seal               | 1                 |
| 27        | C229 2914 | Guide Plate Sheet                 | 1                 |
| 28        | C229 2958 | Paper Guide Plate                 | 1                 |
| 29        | C229 2941 | Master Sensor Bracket             | 1                 |

| Index No. | Part No.   | Description                       | Q'ty Per Assembly |
|-----------|------------|-----------------------------------|-------------------|
| 101       | 0720 0060E | Retaining Ring - M6               |                   |
| 102       | 0805 3386  | Bushing - 8mm                     |                   |
| 103       | 0451 3006B | Tapping Screw - M3x6              |                   |
| 104       | 0740 3008  | Ball Bearing - 8x22x7             |                   |
| 105       | 0451 4006B | Tapping Screw - 4x6               |                   |
| 106       | 0720 0040E | Retaining Ring - M4               |                   |
| 107       | 0352 0080B | Screw M2.5x8                      |                   |
| 108       | 1105 0199  | Clamp                             |                   |
| 109       | 0354 0060B | Screw - M4X6                      |                   |
| 110       | 0741 3706  | Ball Bearing - 6x10x3             |                   |
| 111       | 0574 0040E | Hexagon Headless Set Screw - M4x4 |                   |
| 112       | 0453 3006B | Tapping Screw - M3x6              |                   |
| 113       | 0451 4008B | Philips Tapping Screw - M4x8      |                   |

15.PAPER FEED SECTION 6 (C232)

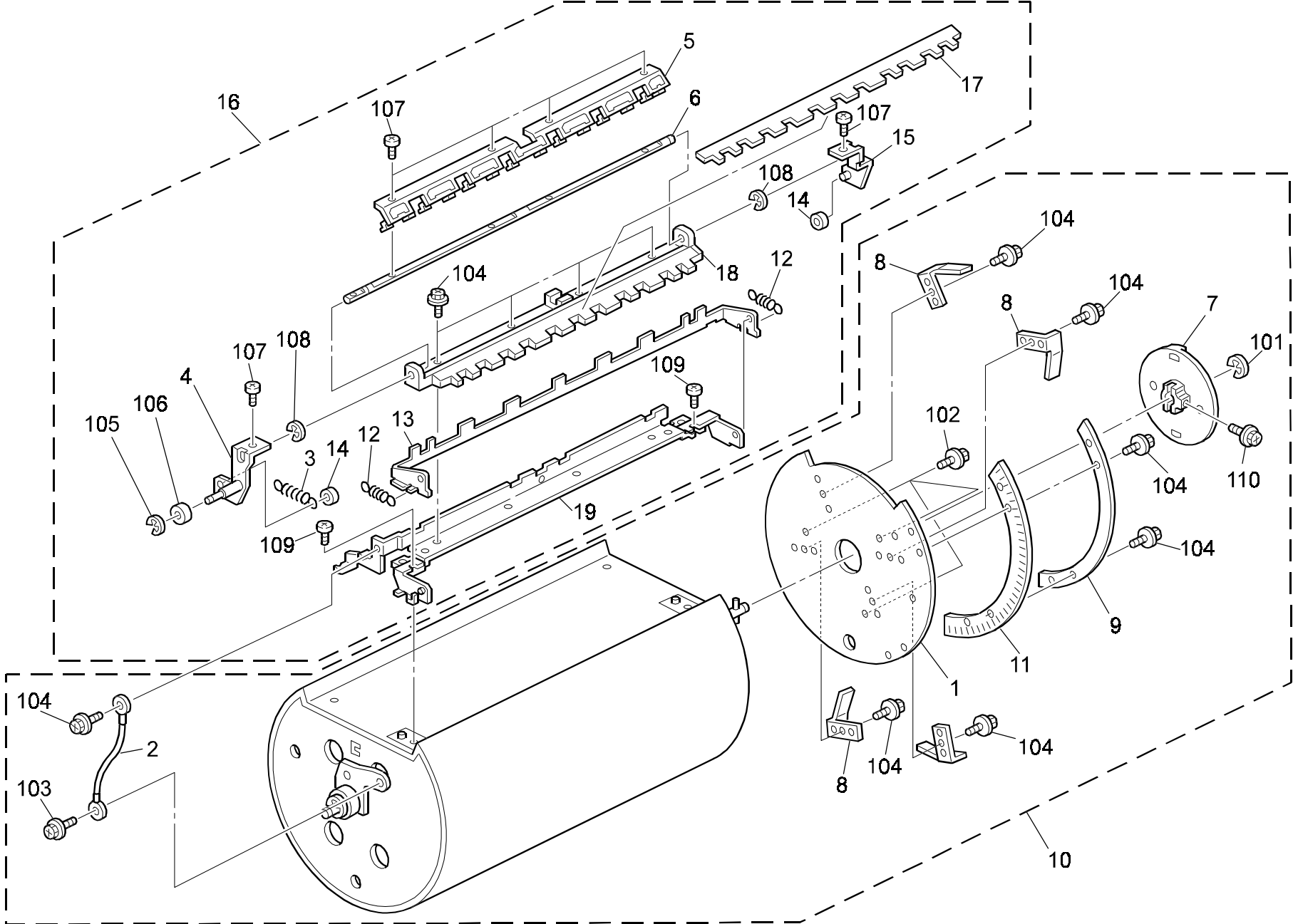


### 15.PAPER FEED SECTION 6 (C232)

| Index No. | Part No.  | Description                  | Q'ty Per Assembly |
|-----------|-----------|------------------------------|-------------------|
| 1         | C232 2994 | Shaft Bracket                | 1                 |
| 2         | C232 2996 | Positioning Plate            | 1                 |
| 3         | C232 2993 | Spring Plate                 | 1                 |
| 4         | C232 2992 | Middle Transport Roller      | 1                 |
| 5         | C232 2989 | Rhgit Cam Lock               | 1                 |
| 6         | C232 2987 | Cam Lock Shaft               | 1                 |
| 7         | C232 2988 | Left Cam Lock                | 1                 |
| 8         | C232 2969 | Lower Transport Guide        | 1                 |
| 9         | C229 5807 | Photosensor - GP2A25         | 2                 |
| 10        | C232 2963 | Sensor Bracket               | 1                 |
| 11        | C232 2933 | Upper Transport Shaft        | 1                 |
| 12        | C232 2925 | Sensor Bracket               | 1                 |
| 13        | AW02 0075 | Photointerruptor             | 1                 |
| 14        | 5447 2769 | Stepped Screw                | 2                 |
| 15        | C232 2985 | Sensor Bracket               | 1                 |
| 16        | C232 2932 | Upper Guide Plate            | 1                 |
| 17        | C232 5205 | Sensor Harness - Transfer    | 1                 |
| 18        | C232 2983 | Bushing - 6mm                | 2                 |
| 19        | C232 2978 | Pressure Spring - 19.6n      | 2                 |
| 20        | C232 2979 | Lower Transport Roller       | 1                 |
| 21        | C232 2977 | Lower Pressure Plate         | 1                 |
| 22        | C232 2975 | Lower Transport Roller Cover | 1                 |
| 23        | C232 2974 | Decal - Jam Removal          | 1                 |
| 24        | H012 1181 | Bushing- 6mm                 | 1                 |
| 25        | 5053 0223 | Bushing - 8mm                | 1                 |
| 26        | C232 2965 | Upper Transport Guide        | 1                 |
| 27        | C232 2761 | Spring Plate                 | 1                 |
| 28        | C200 2266 | Bearing Holder               | 1                 |

| Index No. | Part No.   | Description           | Q'ty Per Assembly |
|-----------|------------|-----------------------|-------------------|
| 101       | 0720 0060E | Retaining Ring - M6   |                   |
| 102       | 0453 3006B | Tapping Screw - M3x6  |                   |
| 103       | 1105 0199  | Clamp                 |                   |
| 104       | 0451 3006B | Tapping Screw - M3x6  |                   |
| 105       | 0740 3008  | Ball Bearing - 8x22x7 |                   |
| 106       | 0741 3908  | Bushing - 8x19x6      |                   |
| 107       | 0451 4006B | Tapping Screw - 4x6   |                   |

16.PRESSUER CYLINDER 1 (C232)



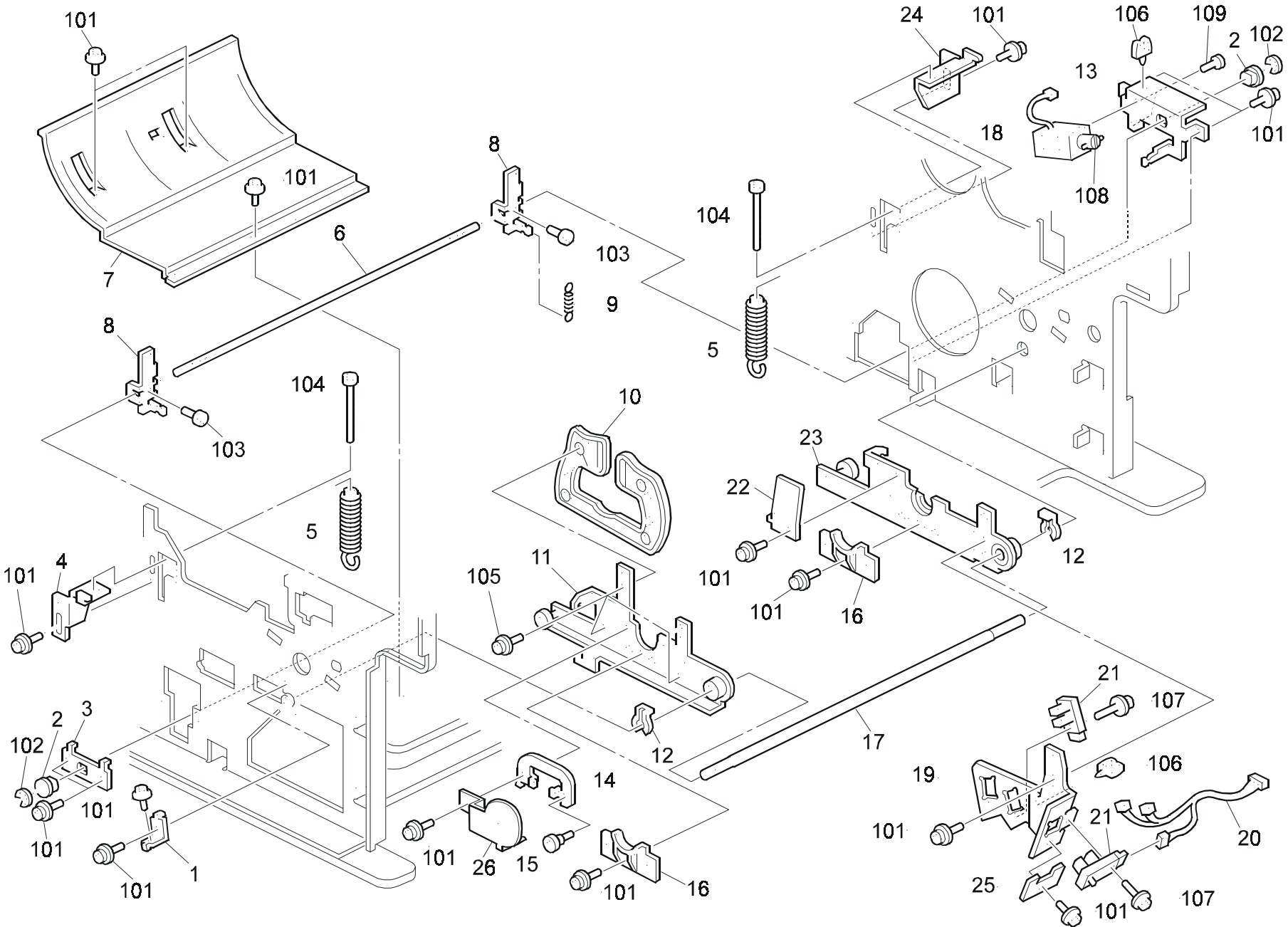
## 16.PRESSUER CYLINDER 1 (C232)

| Index No. | Part No.  | Description             | Q'ty Per Assembly |
|-----------|-----------|-------------------------|-------------------|
| 1         | C229 3092 | Front Encoder Flange    | 1                 |
| 2         | C229 5260 | Grounding Wire          | 1                 |
| 3         | C217 5530 | Pressure Release Spring | 1                 |
| 4         | C229 3250 | Front Clamp Arm         | 1                 |
| 5         | C229 3100 | Clamp Ass'y             | 1                 |
| 6         | C229 3258 | Clamp Shaft             | 1                 |
| 7         | C229 3196 | Joint Flange            | 1                 |
| 8         | C229 3096 | Paper Feed Acuator      | 4                 |
| 9         | C229 3094 | Encoder Holder          | 1                 |
| 10        | C232 3001 | Pressure Cylinder Ass'y | 1                 |
| 11        | C229 3093 | Encoder                 | 1                 |
| 12        | C229 3249 | Tension Spring          | 2                 |
| 13        | C229 3262 | Pawl Exhaust Clamp      | 1                 |
| 14        | C229 3256 | Collar                  | 2                 |
| 15        | C229 3254 | Rear Clamp Arm          | 1                 |
| 16        | C229 3011 | Clamp Pawl Ass'y        | 1                 |
| 17        | C229 3263 | Magnetic Clamp          | 1                 |
| 18        | C229 3240 | Clamp Plate             | 1                 |
| 19        | C229 3259 | Clamp Base              | 1                 |

| Index No. | Part No.   | Description                         | Q'ty Per Assembly |
|-----------|------------|-------------------------------------|-------------------|
| 101       | 0720 0080E | Retaining Ring - M8                 |                   |
| 102       | 0450 4008B | Tapping Screw - 4x8                 |                   |
| 103       | 0453 3006B | Tapping Screw - M3x6                |                   |
| 104       | 0451 3006B | Tapping Screw - M3x6                |                   |
| 105       | 0720 0020E | Retaining Ring - M2                 |                   |
| 106       | 0740 3203  | Busing - 3x10x4mm                   |                   |
| 107       | 0312 5050Z | Philips Pan Head Screw - M2.5x5     |                   |
| 108       | 0720 0040E | Retaining Ring - M4                 |                   |
| 109       | 0434 0100Z | Pan Head Self-tapping Screw - M4x10 |                   |
| 110       | 0451 4008B | Philips Tapping Screw - M4x8        |                   |



17.PRESSUER CYLINDER 2 (C232)

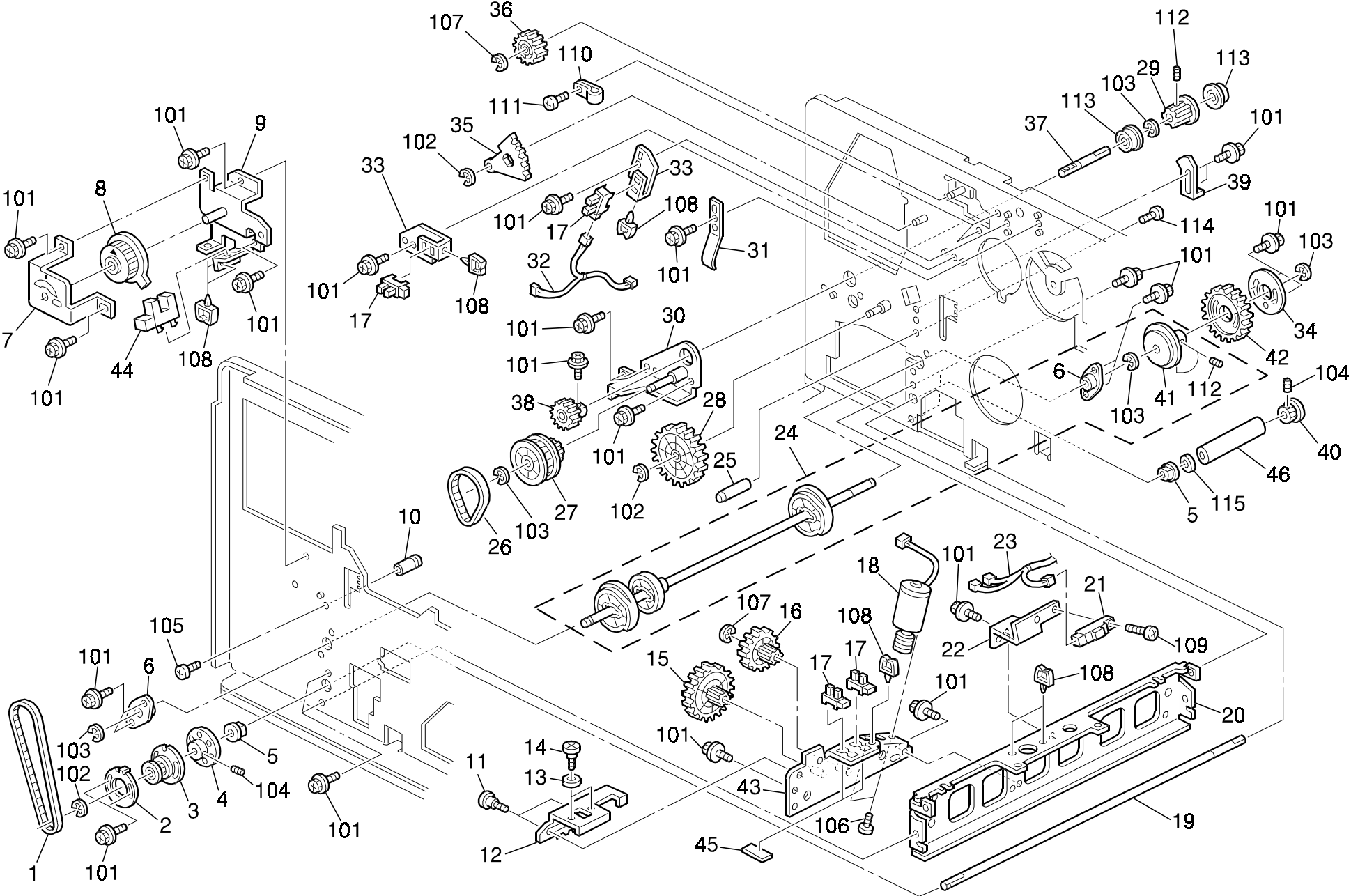


## 17.PRESSUER CYLINDER 2 (C232)

| Index No. | Part No.  | Description                    | Q'ty Per Assembly |
|-----------|-----------|--------------------------------|-------------------|
| 1         | C229 3206 | Shaft Stopper                  | 1                 |
| 2         | 5053 0447 | Bushing - 6mm                  | 2                 |
| 3         | C229 3161 | Pressuer Shaft Bracket - Front | 1                 |
| 4         | C229 3275 | Front Spring Bracket           | 1                 |
| 5         | C229 3272 | Pressuer Spring                | 2                 |
| 6         | C229 3165 | Pressuer Release Shaft         | 1                 |
| 7         | C229 3952 | Paper Exit Giude Plate         | 1                 |
| 8         | C229 3164 | Release Shaft Arm              | 2                 |
| 9         | C229 3166 | Release Spring                 | 1                 |
| 10        | C229 3260 | Clamp Cam                      | 1                 |
| 11        | C229 3220 | Front Arm                      | 1                 |
| 12        | C229 3207 | Rimg - M14                     | 2                 |
| 13        | C229 3163 | Solenoid Bracket               | 1                 |
| 14        | C229 3226 | Pressuer Cylinder Shaft Holder | 1                 |
| 15        | AA14 3062 | Shoulder Screw - M4            | 1                 |
| 16        | C229 3227 | Pressuer Cylinder Shaft Guide  | 1                 |
| 17        | C229 3205 | Position Shaft                 | 1                 |
| 18        | C229 5830 | Release Solenoid               | 1                 |
| 19        | C232 3090 | Feed Encorder Bracket          | 1                 |
| 20        | C232 5226 | Encoder Harness - Feed         | 1                 |
| 21        | 5205 5250 | LED Sensor Type S              | 3                 |
| 22        | C229 3234 | Encoder Guide                  | 1                 |
| 23        | C229 3230 | Rear Arm                       | 1                 |
| 24        | C229 3276 | Rear Spring Bracket            | 1                 |
| 25        | C232 3091 | Feed Encoderguide              | 1                 |
| 26        | C233 3210 | Cylinder Shaft Guide - Small   | 1                 |

| Index No. | Part No.   | Description          | Q'ty Per Assembly |
|-----------|------------|----------------------|-------------------|
| 101       | 0451 4006B | Tapping Screw - 4x6  |                   |
| 102       | 0720 0040E | Retaining Ring - M4  |                   |
| 103       | 0451 3006B | Tapping Screw - M3x6 |                   |
| 104       | 0586 0451Z | Hexagon Bolt - M6x45 |                   |
| 105       | 0450 4008B | Tapping Screw - 4x8  |                   |
| 106       | 1105 0199  | Clamp                |                   |
| 107       | 0451 4010B | Tapping Screw - 4x10 |                   |
| 108       | 0623 0140E | Spring Pin - 3x14mm  |                   |
| 109       | 0353 0040B | Screw - M3X4         |                   |

# 18.PRESSUER CYLINDER 3 (C232)

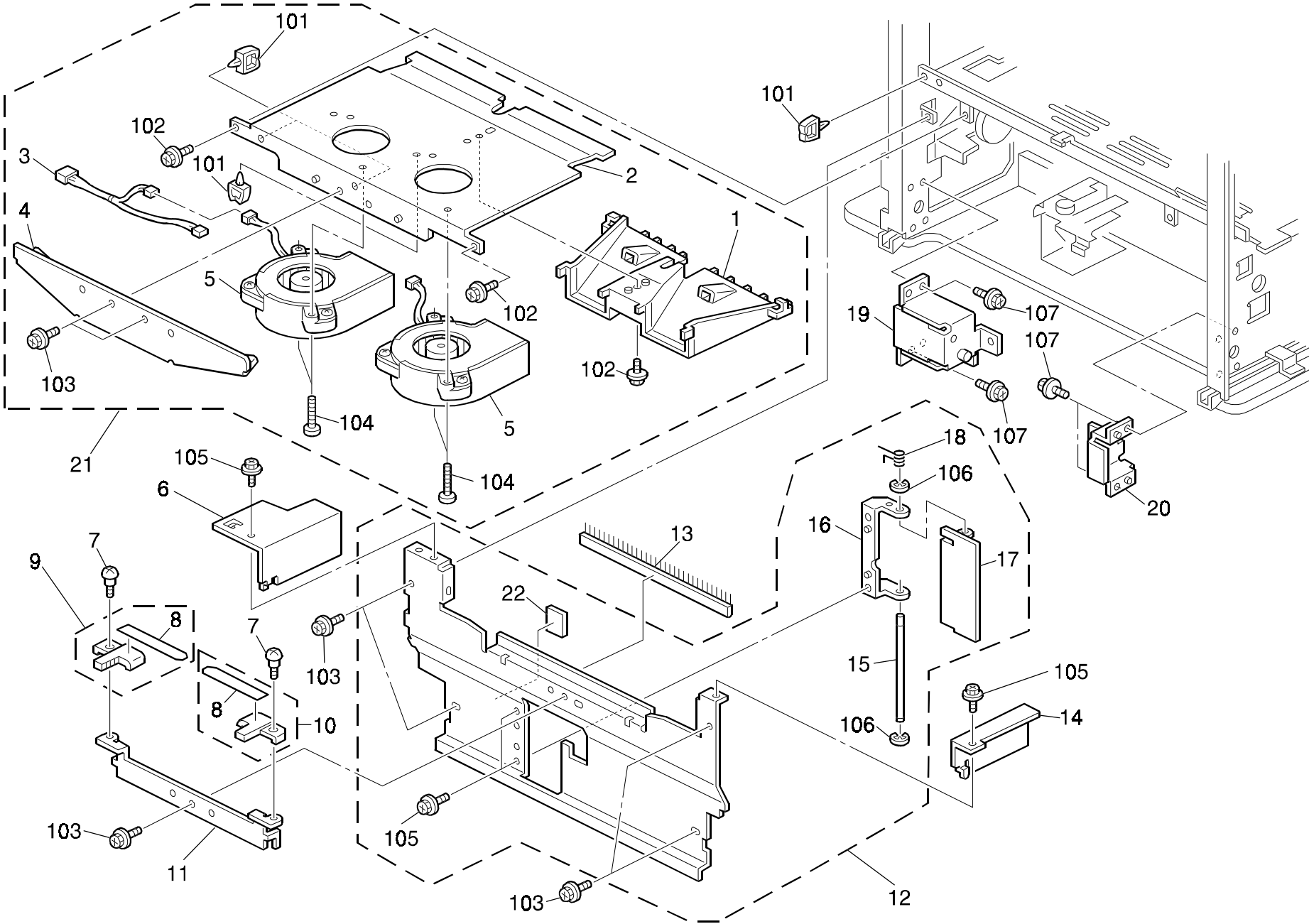


## 18.PRESSUER CYLINDER 3 (C232)

| Index No. | Part No.  | Description                     | Q'ty Per Assembly |
|-----------|-----------|---------------------------------|-------------------|
| 1         | C229 1163 | Timing Belt - S3M118Z           | 1                 |
| 2         | C229 1162 | Pulley Spacer                   | 1                 |
| 3         | C229 1161 | Dial Drive Pulley - 20Z         | 1                 |
| 4         | C229 1160 | Dial Adjuster                   | 1                 |
| 5         | 5304 1639 | Bushing - 8mm                   | 2                 |
| 6         | C229 3135 | Bushing - Cam Shaft             | 2                 |
| 7         | C232 1170 | Cover Dial Print                | 1                 |
| 8         | C232 1167 | Pulley Ass'y                    | 1                 |
| 9         | C232 1164 | Bracket Dial Ass'y              | 1                 |
| 10        | C229 1082 | Front Guide Shaft               | 1                 |
| 11        | C217 4426 | Shoulder Screw                  | 2                 |
| 12        | C229 3143 | Rack - Exchange Ass'y           | 1                 |
| 13        | C229 3148 | Bushing                         | 2                 |
| 14        | AA14 3718 | Stepped Screw - M4              | 2                 |
| 15        | C229 3146 | Gear - 80Z/16Z                  | 1                 |
| 16        | C229 3145 | Worm Wheel - 50Z/16Z            | 1                 |
| 17        | AW02 0075 | Photointerruptor                | 4                 |
| 18        | C229 5804 | DC Motor - 20W                  | 1                 |
| 19        | C229 1043 | Middle Stay Shaft               | 1                 |
| 20        | C229 1075 | Left Stay                       | 1                 |
| 21        | C229 5807 | Photosensor - GP2A25            | 1                 |
| 22        | C229 3951 | Lower Paper Exit Sensor Bracket | 1                 |
| 23        | C229 5262 | Paper Pressure Harness          | 1                 |
| 24        | C229 3125 | Cam Shaft                       | 1                 |
| 25        | C229 1083 | Rear Guide Shaft                | 1                 |
| 26        | C229 1139 | Timing Belt - S2M190            | 1                 |
| 27        | C229 3961 | Drive Pulley                    | 1                 |
| 28        | C229 3966 | Drive Gear                      | 1                 |
| 29        | C229 1136 | Timing Pulley - Job Separator   | 1                 |
| 30        | C229 3930 | Gear Holder                     | 1                 |
| 31        | C229 2621 | Spring Plate                    | 1                 |
| 32        | C229 5224 | Drum Hp Sensor Harness          | 1                 |
| 33        | C229 2631 | Limit Sensor Bracket            | 2                 |
| 34        | C229 3195 | Gear Spacer                     | 1                 |
| 35        | C229 3585 | Sector Gear                     | 1                 |

| Index No. | Part No.   | Description                       | Q'ty Per Assembly |
|-----------|------------|-----------------------------------|-------------------|
| 36        | C229 3586  | Driven Gear                       | 1                 |
| 37        | C233 1138  | Drive Shaft                       | 1                 |
| 38        | C229 1137  | Drive Relay Gear                  | 1                 |
| 39        | C229 3976  | Lever Stoper                      | 1                 |
| 40        | C229 1155  | Driven Shaft Gear                 | 1                 |
| 41        | C229 3133  | Control Plate - Cam Drive         | 1                 |
| 42        | C229 3194  | Pressuer Cylinder Gear            | 1                 |
| 43        | C229 3150  | Job Motor Bracket                 | 1                 |
| 44        | AW02 0075  | Photointerruptor                  | 1                 |
| 45        | H522 1100  | Sensor Guide                      | 2                 |
| 46        | C229 1044  | Spacer                            | 1                 |
| 101       | 0451 4006B | Tapping Screw - 4x6               |                   |
| 102       | 0720 0060E | Retaining Ring - M6               |                   |
| 103       | 0720 0080E | Retaining Ring - M8               |                   |
| 104       | 0574 0050E | Hexagon Headless Set Screw - M4x5 |                   |
| 105       | 0354 0060B | Screw - M4X6                      |                   |
| 106       | 0353 0040B | Screw - M3X4                      |                   |
| 107       | 0720 0040E | Retaining Ring - M4               |                   |
| 108       | 1105 0199  | Clamp                             |                   |
| 109       | 0313 0060B | Philips Pan Head Screw - M3x6     |                   |
| 110       | 1105 0008  | Nylon Clamp - 2n                  |                   |
| 111       | 0453 4006H | Tapping Screw - M4x6              |                   |
| 112       | 0574 0040E | Hexagon Headless Set Screw - M4x4 |                   |
| 113       | 0805 3134  | Ball Bearing - 10x26x8mm          |                   |
| 114       | 0354 0080B | Screw - M4X8                      |                   |
| 115       | 0807 5037  | Washer - 8.1mm                    |                   |

19.PAPER EXIT SECTION 1 (C232)

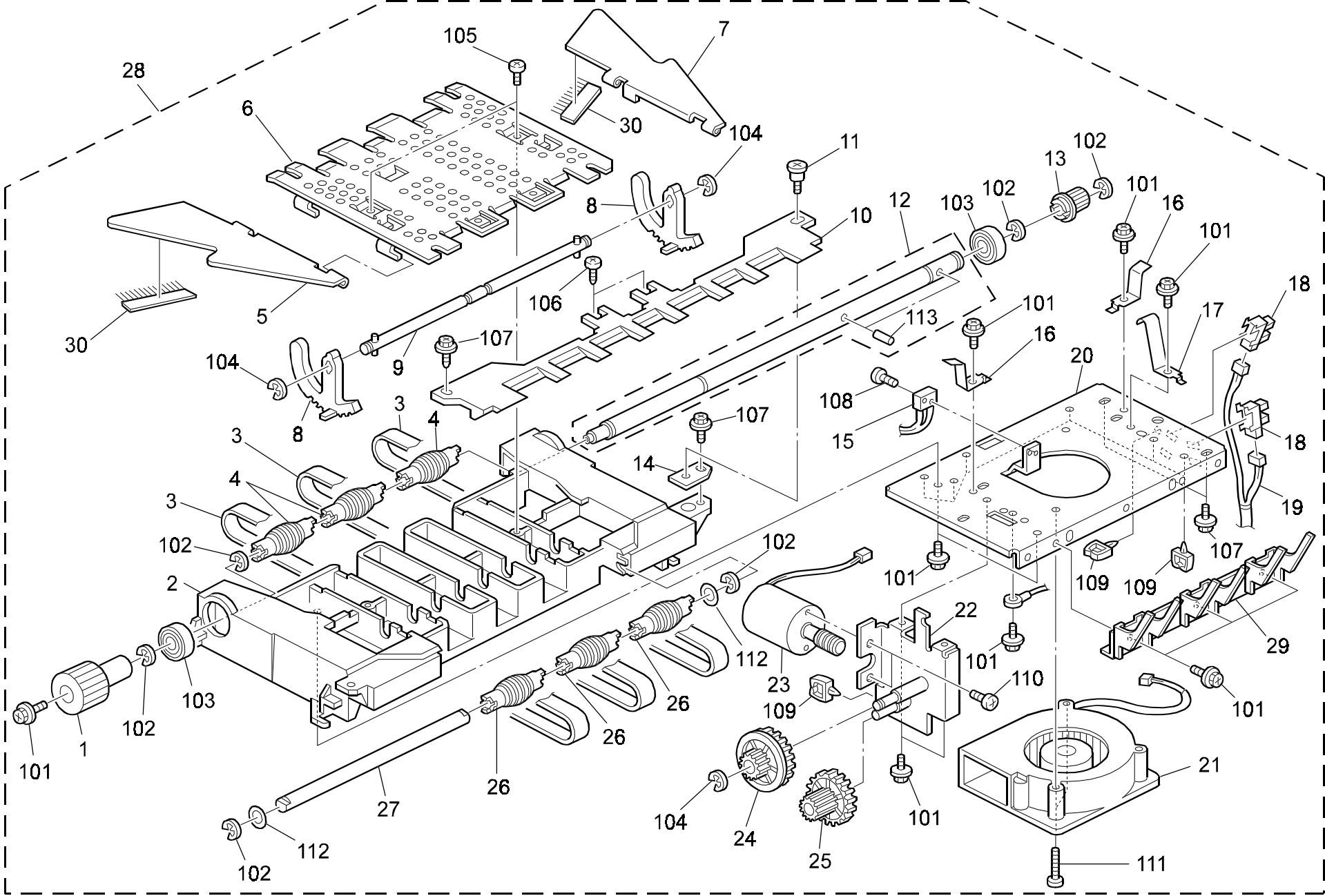


## 19.PAPER EXIT SECTION 1 (C232)

| Index No. | Part No.  | Description                         | Q'ty Per Assembly |
|-----------|-----------|-------------------------------------|-------------------|
| 1         | C229 3302 | Air Knife Duct                      | 1                 |
| 2         | C229 3301 | Air Knife Base                      | 1                 |
| 3         | C229 5234 | Air Knife Harness                   | 1                 |
| 4         | C229 3303 | Paper Exit Cover                    | 1                 |
| 5         | C229 5824 | Fam Motor - DC24V 0.6A              | 2                 |
| 6         | C229 3857 | Left Support Plate                  | 1                 |
| 7         | C218 2525 | Stepped Screw - M4                  | 2                 |
| 8         | C229 4495 | Paper Guide                         | 2                 |
| 9         | C229 4496 | Rear Guide                          | 1                 |
| 10        | C229 4492 | Front Guide                         | 1                 |
| 11        | C229 4491 | Support Bracket                     | 1                 |
| 12        | C229 1292 | Exit Guide Plate Ass'y              | 1                 |
| 13        | C229 3856 | Antistatic Brush                    | 1                 |
| 14        | C229 3858 | Right Support Plate                 | 1                 |
| 15        | C229 4675 | Separator Cover Shaft               | 1                 |
| 16        | C229 4674 | Separator Cover Hinge               | 1                 |
| 17        | C229 4673 | Separator Cover                     | 1                 |
| 18        | C229 4676 | Separator Cover Spring              | 1                 |
| 19        | C229 4485 | Rear Bracket - Paper Delivery Table | 1                 |
| 20        | C229 4480 | Front Bracket - Paper Delivery Tabl | 1                 |
| 21        | C229 3012 | Air Knife Ass'y                     | 1                 |
| 22        | C229 4677 | Cushion                             | 1                 |

| Index No. | Part No.   | Description                    | Q'ty Per Assembly |
|-----------|------------|--------------------------------|-------------------|
| 101       | 1105 0199  | Clamp                          |                   |
| 102       | 0451 4006B | Tapping Screw - 4x6            |                   |
| 103       | 0451 4006H | Tapping Screw - M4x6           |                   |
| 104       | 0314 0160B | Philips Pan Head Screw - M4x16 |                   |
| 105       | 0451 3006H | Tapping Screw - 3x6            |                   |
| 106       | 0720 0020E | Retaining Ring - M2            |                   |
| 107       | 0451 4008H | Tapping Screw - 4x8            |                   |

20.PAPER EXIT SECTION 2 (C232)



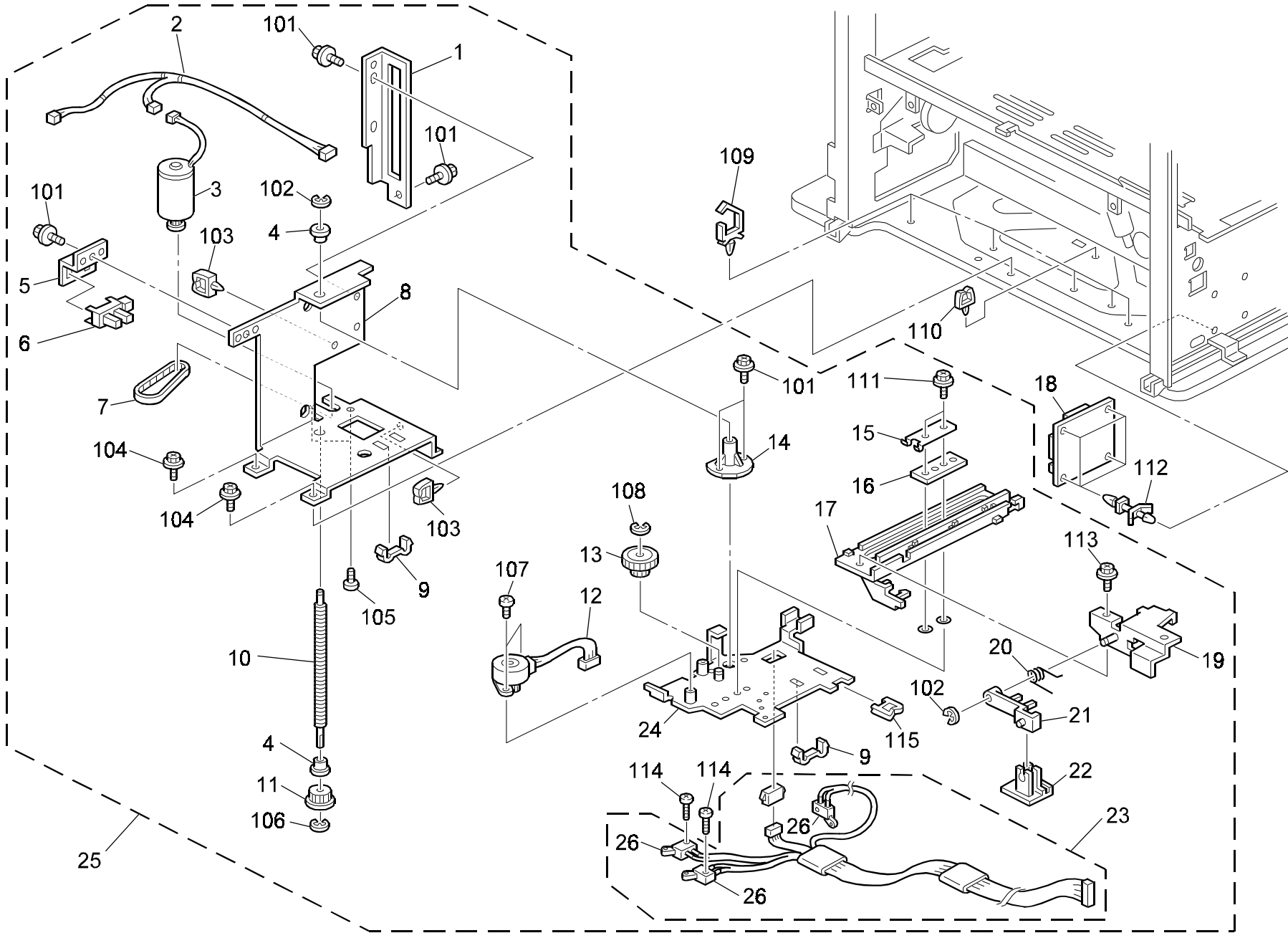
## 20.PAPER EXIT SECTION 2 (C232)

| Index No. | Part No.         | Description                    | Q'ty Per Assembly |
|-----------|------------------|--------------------------------|-------------------|
| 1         | C229 3878        | Knob                           | 1                 |
| 2         | C229 3860        | Transport Belt Case            | 1                 |
| <b>3</b>  | <b>C229 3874</b> | <b>Transport Belt</b>          | <b>3</b>          |
| 4         | C229 3877        | Center Roller - Delivery Table | 3                 |
| 5         | C229 3900        | Front Vacuum Plate             | 1                 |
| 6         | C229 3850        | Vacuum Plate                   | 1                 |
| 7         | C229 3901        | Rear Vacuum Plate              | 1                 |
| 8         | C229 3912        | Vacuum Plate Guide Arm         | 2                 |
| 9         | C229 3909        | Vacuum Plate Guide Shaft       | 1                 |
| 10        | C229 3942        | Exit Pawl                      | 1                 |
| 11        | C229 3944        | Stepped Screw                  | 1                 |
| 12        | C229 3875        | Transport Belt Drive Shaft     | 1                 |
| 13        | C229 3872        | Timing Pulley                  | 1                 |
| 14        | C229 3943        | Pick-off Pawl Adjuster         | 1                 |
| 15        | C229 5825        | Master Sensor                  | 1                 |
| 16        | C229 3893        | Grounding Plate                | 2                 |
| 17        | C229 3891        | Grounding Plate                | 1                 |
| 18        | AW02 0075        | Photointerruptor               | 2                 |
| 19        | C229 5222        | Vacuume Fan Harness            | 1                 |
| 20        | C229 3892        | Vacuume Fan Base               | 1                 |
| 21        | C219 8204        | Vacuum Fan Motor - DC24V 0.3A  | 1                 |
| 22        | C229 3913        | Modor Bracket                  | 1                 |
| 23        | C229 5804        | DC Motor - 20W                 | 1                 |
| 24        | C229 3911        | Gear - 25Z/51Z                 | 1                 |
| 25        | C229 3145        | Worm Wheel - 50Z/16Z           | 1                 |
| 26        | C229 3873        | Transport Belt Roller          | 3                 |
| 27        | C229 3871        | Transport Belt Shaft           | 1                 |
| 28        | C233 3810        | Hale Unit:ass'y                | 1                 |
| 29        | C229 3894        | Adjusting Plate                | 1                 |
| 30        | C233 3902        | Discharge Brush                | 2                 |

| Index No. | Part No.   | Description                         | Q'ty Per Assembly |
|-----------|------------|-------------------------------------|-------------------|
| 101       | 0451 4006B | Tapping Screw - 4x6                 |                   |
| 102       | 0720 0080E | Retaining Ring - M8                 |                   |
| 103       | 0740 3010  | Ball Bearing - 10x26x8mm            |                   |
| 104       | 0720 0040E | Retaining Ring - M4                 |                   |
| 105       | 0452 4008B | Binding Self Tapping Screw - M4x8   |                   |
| 106       | 0951 3006Z | Philips Screw With Flat Washer - M3 |                   |
| 107       | 0450 4008B | Tapping Screw - 4x8                 |                   |
| 108       | 0252 0080Z | Philips Pan Head Screw - M2x8       |                   |
| 109       | 1105 0229  | Clamp                               |                   |
| 110       | 0353 0040B | Screw - M3X4                        |                   |
| 111       | 0314 0350Z | Screw - M4X35                       |                   |
| 112       | 0807 7013  | Spacer - 10.2x14x0.2 Mm             |                   |
| 113       | 0623 0140E | Spring Pin - 3x14mm                 |                   |



# 21.PAPER EXIT SECTION 3 (C232)

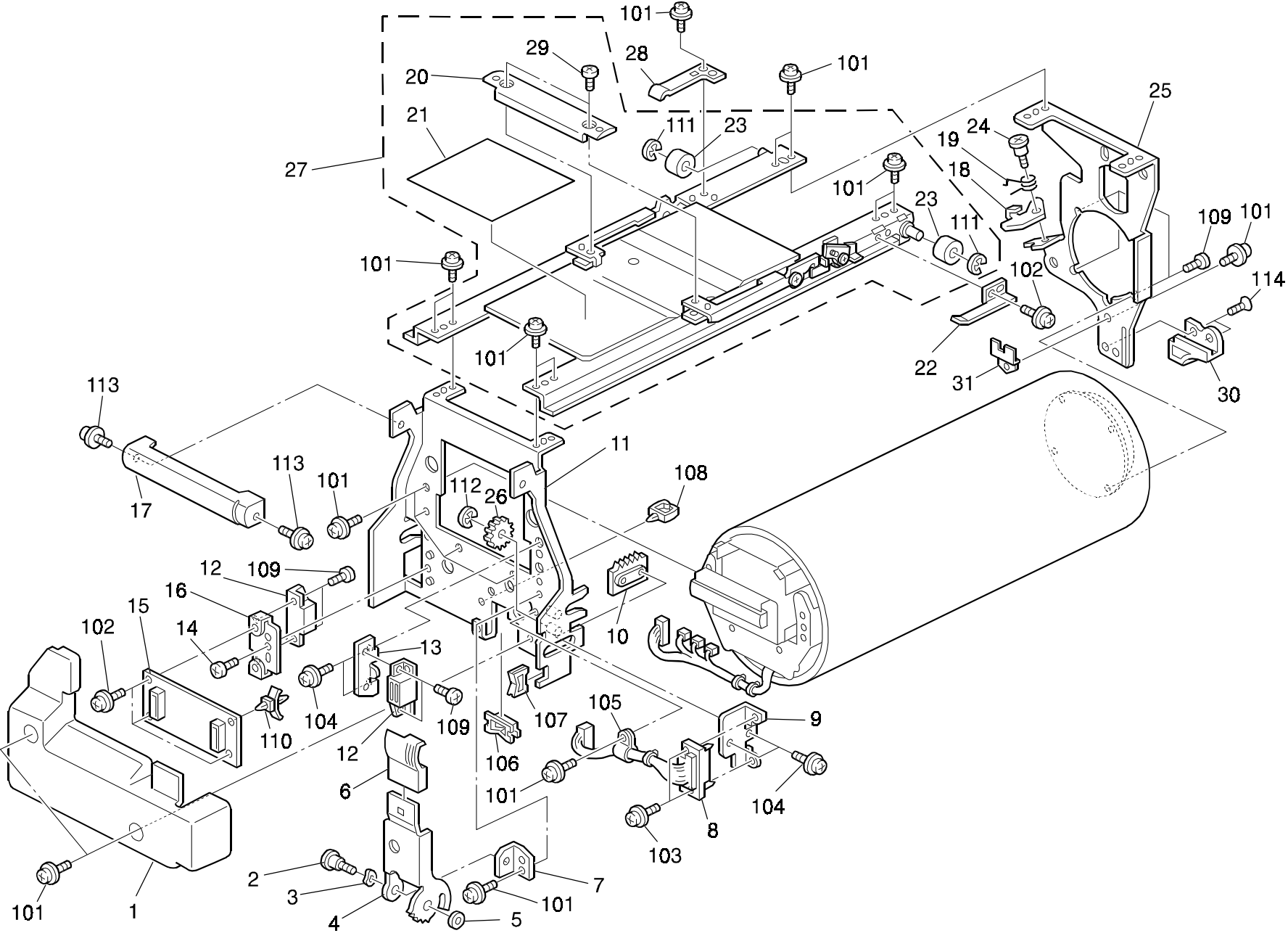


## 21.PAPER EXIT SECTION 3 (C232)

| Index No. | Part No.  | Description                | Q'ty Per Assembly |
|-----------|-----------|----------------------------|-------------------|
| 1         | C229 4702 | Lift Morot Gurd Plate      | 1                 |
| 2         | C229 5269 | Job Separator Harness      | 1                 |
| 3         | C229 5823 | DC Motor - 20W             | 1                 |
| 4         | 5324 1658 | Bushing- 4x8x4.5mm         | 2                 |
| 5         | C229 4671 | Sensor Bracket             | 1                 |
| 6         | AW02 0075 | Photointerruptor           | 1                 |
| 7         | C229 4712 | Timing Belt                | 1                 |
| 8         | C229 4701 | Lift Motor Bracket         | 1                 |
| 9         | C229 4724 | Harness Clamp              | 2                 |
| 10        | C229 4708 | Screw Shaft                | 1                 |
| 11        | C229 4711 | Timing Pulley              | 1                 |
| 12        | C229 5805 | Stepper Motor - DC24V      | 1                 |
| 13        | C229 4715 | Slide Drive Gear           | 1                 |
| 14        | C229 4709 | Screw Shaft Boss           | 1                 |
| 15        | C229 4734 | Slider Spring Plate        | 1                 |
| 16        | C229 4718 | Slider Holder              | 1                 |
| 17        | C229 4725 | Separator Slider           | 1                 |
| 18        | C229 5153 | Job Separator Board        | 1                 |
| 19        | C229 4726 | Separator Arm Link         | 1                 |
| 20        | C229 4733 | Arm Spring                 | 1                 |
| 21        | C229 4729 | Separator Arm              | 1                 |
| 22        | C229 4730 | Separator Arm Holder       | 1                 |
| 23        | C229 5270 | Harness - Job Separator    | 1                 |
| 24        | C229 4703 | Separator Slider Bracket   | 1                 |
| 25        | C229 4650 | Separator Lift Motor Ass'y | 1                 |
| 26        | C229 5813 | Switch                     | 3                 |

| Index No. | Part No.   | Description                     | Q'ty Per Assembly |
|-----------|------------|---------------------------------|-------------------|
| 101       | 0451 3006B | Tapping Screw - M3x6            |                   |
| 102       | 0720 0030E | Retaining Ring - M3             |                   |
| 103       | 1105 0199  | Clamp                           |                   |
| 104       | 0451 4006B | Tapping Screw - 4x6             |                   |
| 105       | 0353 0050B | Philips Truss Head Screw - M3x5 |                   |
| 106       | 0720 0020E | Retaining Ring - M2             |                   |
| 107       | 0352 5040B | Bind Screw - M2.5x4             |                   |
| 108       | 0720 0040E | Retaining Ring - M4             |                   |
| 109       | 1105 0413  | Harness Clamp                   |                   |
| 110       | 1105 0229  | Clamp                           |                   |
| 111       | 0451 3008B | Tapping Screw - M3x8            |                   |
| 112       | 1105 0193  | Nylon Stud                      |                   |
| 113       | 0450 3006B | Tapping Screw - M3x6            |                   |
| 114       | 0241 6060B | Screw - M1.6X6                  |                   |
| 115       | 1105 0328  | Harness Clamp - ES-0505         |                   |

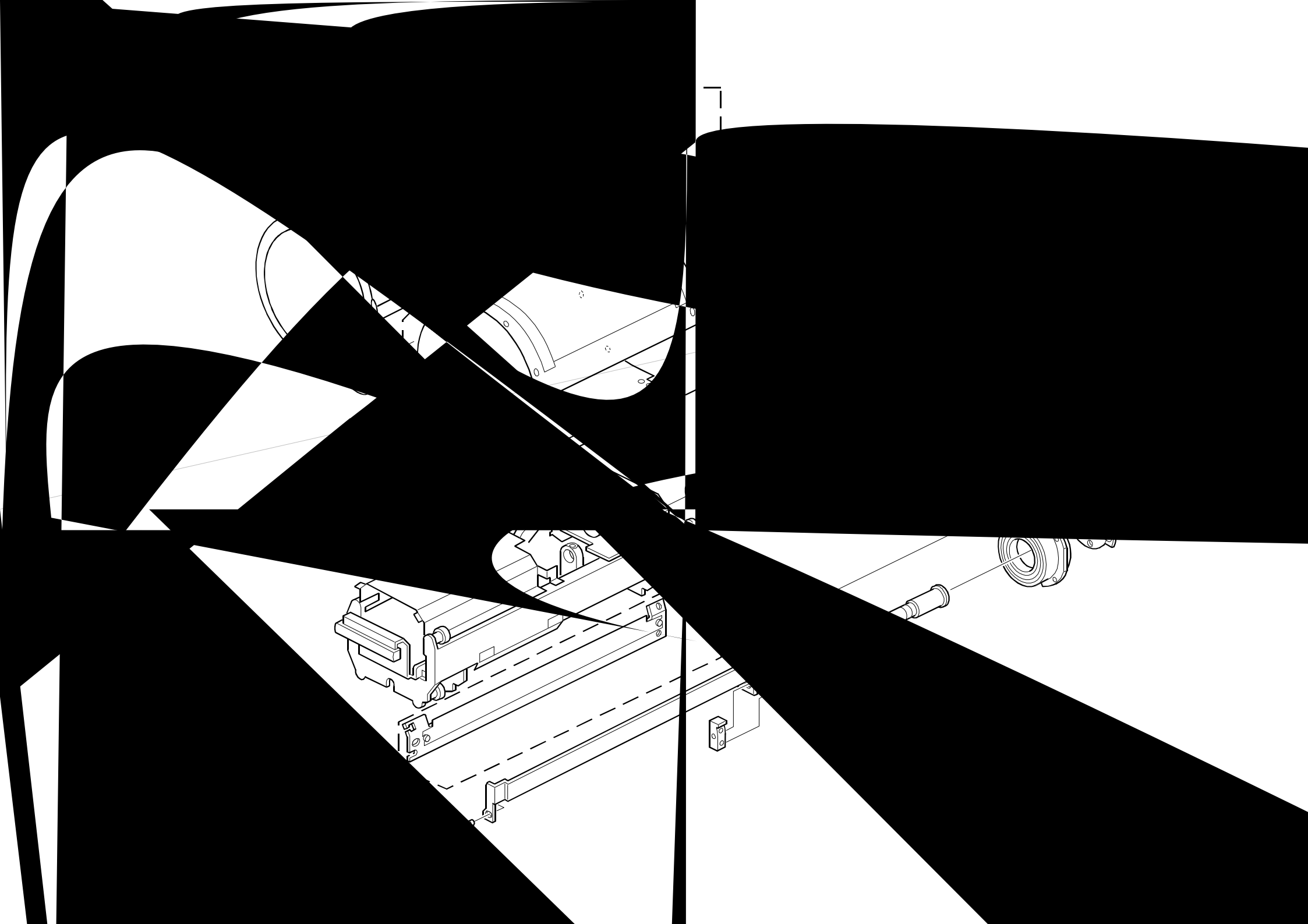
22.DRUM UNIT 1 (C232)



## 22.DRUM UNIT 1 (C232)

| Index No. | Part No.  | Description               | Q'ty Per Assembly |
|-----------|-----------|---------------------------|-------------------|
| 1         | C229 2364 | Front Inner Cover         | 1                 |
| 2         | C219 3950 | Stepped Screw             | 1                 |
| 3         | C217 5102 | Spring Washer             | 1                 |
| 4         | C229 2367 | Switch Lever              | 1                 |
| 5         | AA13 2080 | Spacer - Cleaning Brush   | 1                 |
| 6         | C229 2357 | Switch Lever Knob         | 1                 |
| 7         | C229 2365 | Switch Lever Bracket      | 1                 |
| 8         | C229 5212 | Ink Sensor Harness        | 1                 |
| 9         | C229 2360 | Connector Bracket         | 1                 |
| 10        | C229 2359 | Connector Slider          | 1                 |
| 11        | C229 2351 | Front Side Plate          | 1                 |
| 12        | 5054 0536 | Magnet Catch Ass'y        | 2                 |
| 13        | C229 2377 | Magnet Catch Bracket      | 1                 |
| 14        | 5875 2088 | Shoulder Screw - M4       | 1                 |
| 15        | C229 5140 | Ink Detection Board       | 1                 |
| 16        | C229 2374 | Front Magnet Catch        | 1                 |
| 17        | C229 2362 | Drum Release Grip         | 1                 |
| 18        | C229 2405 | Drum Stopper Arm          | 1                 |
| 19        | C229 2406 | Drum Lock Spring          | 1                 |
| 20        | C229 2385 | Grip Rail                 | 1                 |
| 21        | C229 2399 | Decal - Drum Operation    | 1                 |
| 22        | C229 2396 | Spring Plate              | 1                 |
| 23        | C201 4604 | Drum Rail Roller          | 2                 |
| 24        | C229 2413 | Stepped Screw - Drum Lock | 1                 |
| 25        | C229 2441 | Rear Drum Frame           | 1                 |
| 26        | C229 2608 | Drum Release Gear         | 1                 |
| 27        | C229 2313 | Drum Rail Ass'y           | 1                 |
| 28        | C229 2394 | Spring Plate              | 1                 |
| 29        | C201 5125 | Stepped Screw - M6        | 2                 |
| 30        | C229 2645 | Rear Drum Frame Stand     | 1                 |
| 31        | C229 2644 | Rear Drum Frame Aux.      | 1                 |

| Index No. | Part No.   | Description                         | Q'ty Per Assembly |
|-----------|------------|-------------------------------------|-------------------|
| 101       | 0951 4006Z | Philips Screw With Flat Washer - M4 |                   |
| 102       | 0951 3006Z | Philips Screw With Flat Washer - M3 |                   |
| 103       | 0951 3008Z | Philips Screw With Flat Washer - M3 |                   |
| 104       | 0951 4008Z | Philips Screw With Flat Washer M4x8 |                   |
| 105       | 1105 0016  | Nylon Clamp - 4n                    |                   |
| 106       | 1105 0113  | Edge - P108                         |                   |
| 107       | 1105 0329  | Clamp - ES-0510                     |                   |
| 108       | 1105 0199  | Clamp                               |                   |
| 109       | 0353 0060Z | Screw - M3X6                        |                   |
| 110       | 1105 0193  | Nylon Stud                          |                   |
| 111       | 0720 0040E | Retaining Ring - M4                 |                   |
| 112       | 0720 0050Z | Retaining Ring - M5                 |                   |
| 113       | 0801 0103  | Screw - M4X8                        |                   |
| 114       | 0323 0060Z | Philips Sunk Screw - M3x6           |                   |

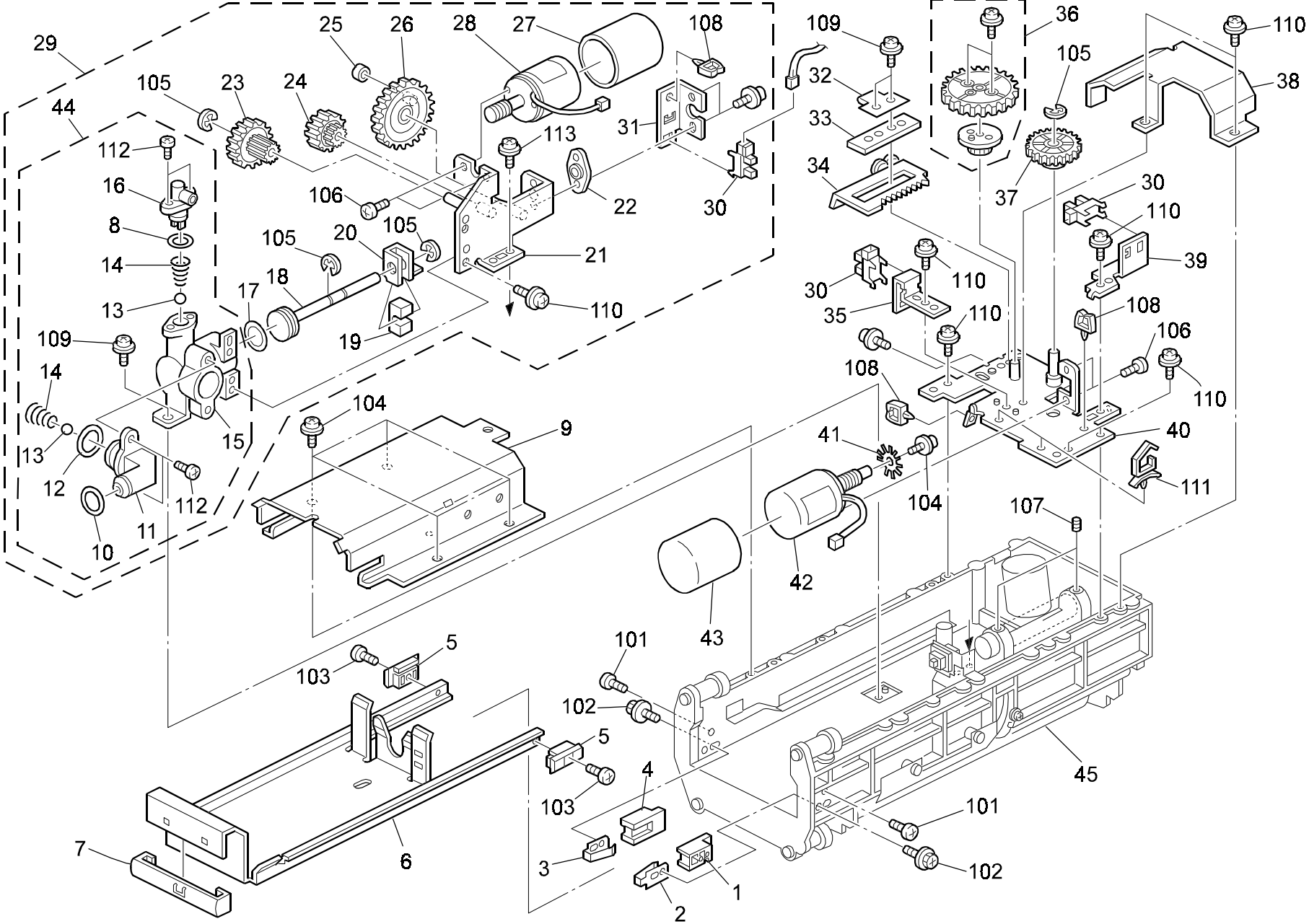


## 23.DRUM UNIT 2 (C232)

| Index No. | Part No.         | Description                      | Q'ty Per Assembly |
|-----------|------------------|----------------------------------|-------------------|
| 1         | C229 2420        | Front Outer Flange               | 1                 |
| 2         | C229 2594        | Rear Screen Clamper              | 1                 |
| 3         | C229 2596        | Front Screen Clamper             | 1                 |
| 4         | C229 2650        | Seal Assy - A3                   | 1                 |
| 4         | C587 2670        | Seal Assy - A4                   | 1                 |
| <b>5</b>  | <b>C229 2316</b> | <b>Tetron Screen</b>             | <b>1</b>          |
| 6         | C229 2547        | Rear Shield - Metal Screen - A3  | 1                 |
| 6         | C587 2547        | Rear Shield - Metal Screen - A4  | 1                 |
| 7         | C229 2543        | Front Shield - Metal Screen - A3 | 1                 |
| 7         | C587 2543        | Front Shield - Metal Screen - A4 | 1                 |
| 8         | C229 2651        | Metal Screen Assy - A3           | 1                 |
| 8         | C587 2449        | Metal Screen Assy - A4           | 1                 |
| 9         | C229 2428        | Slider                           | 3                 |
| 10        | C229 2419        | Rear Drum Disk                   | 1                 |
| 11        | C229 2431        | Drum Positioning Pin             | 2                 |
| 12        | C229 2423        | Fixing Plate                     | 1                 |
| 13        | C229 2424        | Plate Nut                        | 1                 |
| 14        | C229 2422        | Rear Outer Flange                | 1                 |
| 15        | C229 2379        | Drum Guide Disk                  | 1                 |
| 16        | C229 2442        | Rear Drum Flange                 | 1                 |
| 17        | C229 2647        | Drum Shaft                       | 1                 |
| 18        | 5350 1754        | Stud - M5x4                      | 1                 |
| 19        | C229 2603        | Spring                           | 1                 |
| 20        | C229 2595        | Clamper Fixed Plate              | 1                 |
| 21        | C229 2678        | Magnetic Clamp                   | 1                 |
| 22        | C229 2601        | Front Stepped Screw              | 1                 |
| 23        | C229 2675        | Drum Clamper Base                | 1                 |
| 24        | C229 2435        | Drive Gear - 50z                 | 1                 |
| 25        | C229 2434        | Switch Acuator                   | 1                 |
| 26        | C229 2605        | Clamper Seal                     | 1                 |

| Index No. | Part No.   | Description                         | Q'ty Per Assembly |
|-----------|------------|-------------------------------------|-------------------|
| 101       | 0354 0060Z | Philips Truss Head Screw - M4x6     |                   |
| 102       | 0353 0060Z | Screw - M3X6                        |                   |
| 103       | 0354 0040Z | Screw - M4X4                        |                   |
| 104       | 0807 7114  | Washer - 16x24x0.3mm                |                   |
| 105       | 0353 0100Z | Bind Screw - M3x10                  |                   |
| 106       | 0951 4006Z | Philips Screw With Flat Washer - M4 |                   |
| 107       | 0951 4008Z | Philips Screw With Flat Washer M4x8 |                   |
| 108       | 0314 0080Z | Philips Screw - 4x8                 |                   |
| 109       | 0574 0040E | Hexagon Headless Set Screw - M4x4   |                   |
| 110       | 0594 0100Z | Bolt - M4x10                        |                   |

# 24.DRUM UNIT 3 (C232)



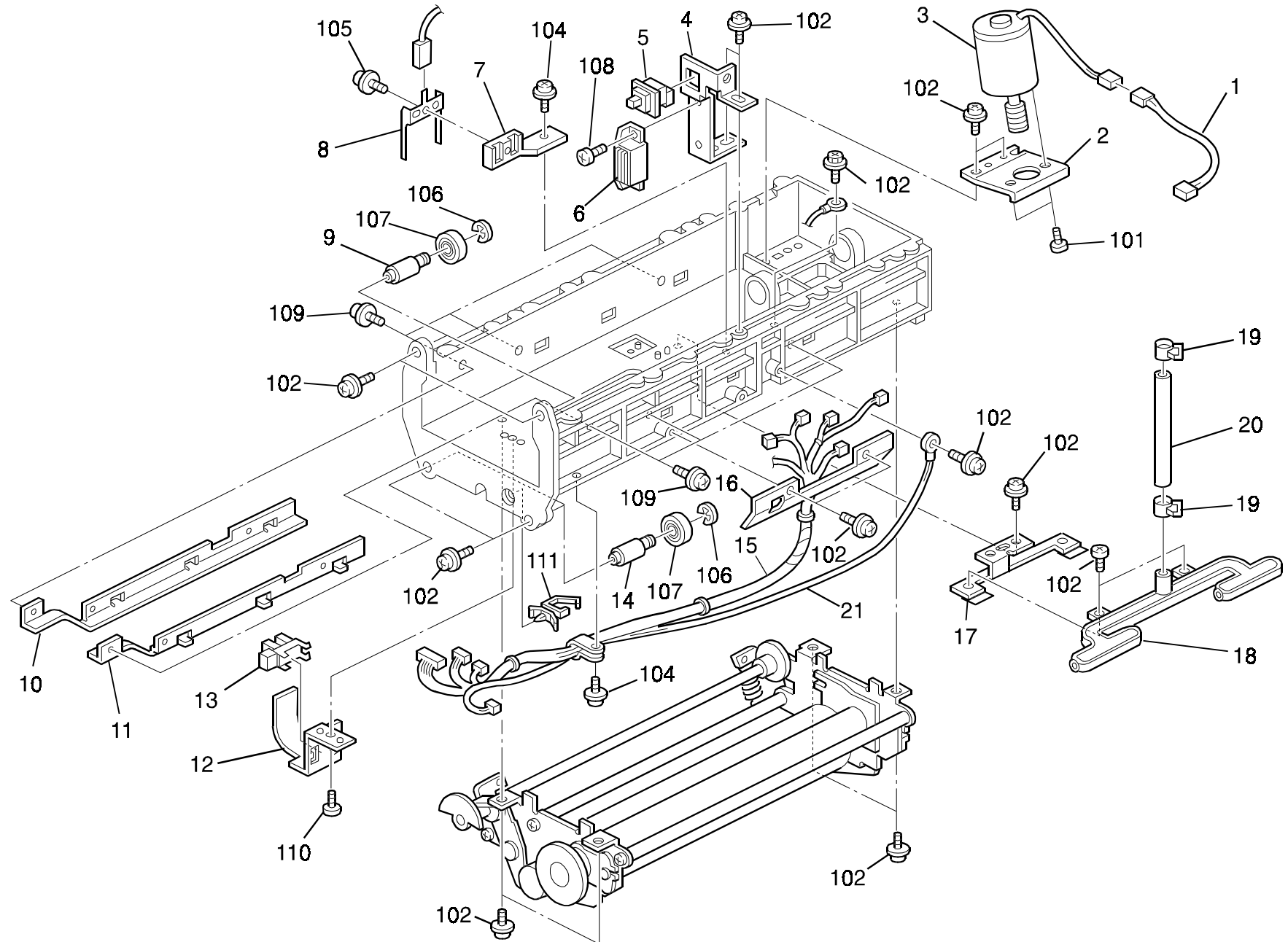
## 24.DRUM UNIT 3 (C232)

| Index No. | Part No.  | Description               | Q'ty Per Assembly |
|-----------|-----------|---------------------------|-------------------|
| 1         | C229 2496 | Right Guide - Slide Rail  | 1                 |
| 2         | C229 2493 | Right Ink Holder          | 1                 |
| 3         | C229 2500 | Left Ink Holder           | 1                 |
| 4         | C229 2499 | Left Guide - Slide Rail   | 1                 |
| 5         | C229 2488 | Ink Holder Slider         | 2                 |
| 6         | C229 2486 | Ink Holder                | 1                 |
| 7         | C229 2487 | Ink Holder Knob           | 1                 |
| 8         | C229 2514 | O-ring P9                 | 1                 |
| 9         | C229 2498 | Ink Cartridge Cover       | 1                 |
| 10        | C229 2515 | O-ring P10                | 1                 |
| 11        | C229 2509 | Ink Supply Pump           | 1                 |
| 12        | C229 2516 | O-ring P14                | 1                 |
| 13        | 5600 1403 | Ball                      | 2                 |
| 14        | C224 4715 | Pump Spring - 13 mm       | 2                 |
| 15        | C229 2532 | Pump Case                 | 1                 |
| 16        | C229 2510 | Pump Cap                  | 1                 |
| 17        | C229 2517 | O-ring P16                | 1                 |
| 18        | C229 2511 | Pump Shaft                | 1                 |
| 19        | C229 2519 | Pump Shaft Guide          | 1                 |
| 20        | C229 2518 | Pump Shaft Holder         | 1                 |
| 21        | C229 2520 | Pump Drive Bracket        | 1                 |
| 22        | C229 2531 | Pump Shaft Bushing        | 1                 |
| 23        | C229 2528 | Worm Gear                 | 1                 |
| 24        | C229 2527 | Pump Gear                 | 1                 |
| 25        | C229 2525 | Bushing - Pump Drive Gear | 1                 |
| 26        | C229 2526 | Large Drive Gear          | 1                 |
| 27        | C229 2537 | Pump Motor Cover          | 1                 |
| 28        | C229 5803 | DC Motor - 50W            | 1                 |
| 29        | C229 2501 | Ink Pump Assy             | 1                 |
| 30        | AW02 0075 | Photointerruptor          | 3                 |
| 31        | C229 2530 | Ink Pump Sensor Bracket   | 1                 |
| 32        | C229 2609 | Spring Plate              | 1                 |
| 33        | C229 2580 | Slide Fixed Plate         | 1                 |
| 34        | C229 2583 | Slider                    | 1                 |
| 35        | C229 2581 | Drum H.P Sensor Bracket   | 1                 |

| Index No. | Part No.   | Description                         | Q'ty Per Assembly |
|-----------|------------|-------------------------------------|-------------------|
| 36        | C229 2624  | Shift Drive Gear                    | 1                 |
| 37        | C229 2576  | Worm Gear                           | 1                 |
| 38        | C229 2589  | Drum Shift Cover                    | 1                 |
| 39        | C229 2582  | Drum Shift Sensor Bracket           | 1                 |
| 40        | C229 2571  | Shift Motor Bracket                 | 1                 |
| 41        | C229 1177  | Shift Sensor Encoder                | 1                 |
| 42        | C229 5820  | DC Motor - 20W                      | 1                 |
| 43        | C229 2590  | Shift Motor Cover                   | 1                 |
| 44        | C229 2502  | Ink Pump Ass'y                      | 1                 |
| 45        | C229 2541  | Drum Unit Frame                     | 1                 |
| 101       | 0314 0120Z | Philips Screw - 4x12                |                   |
| 102       | 0450 3008B | Tapping Screw - M3x8                |                   |
| 103       | 0353 0040B | Screw - M3X4                        |                   |
| 104       | 0951 3006Z | Philips Screw With Flat Washer - M3 |                   |
| 105       | 0720 0050Z | Retaining Ring - M5                 |                   |
| 106       | 0353 0040B | Screw - M3X4                        |                   |
| 107       | 0574 0040E | Hexagon Headless Set Screw - M4x4   |                   |
| 108       | 1105 0199  | Clamp                               |                   |
| 109       | 0951 4008Z | Philips Screw With Flat Washer M4x8 |                   |
| 110       | 0951 4006Z | Philips Screw With Flat Washer - M4 |                   |
| 111       | 1105 0310  | Harness Clamp - LWS-1S              |                   |
| 112       | 0314 0060Z | Philips Pan Head Screw - M4x6       |                   |



# 25.DRUM UNIT 4 (C232)

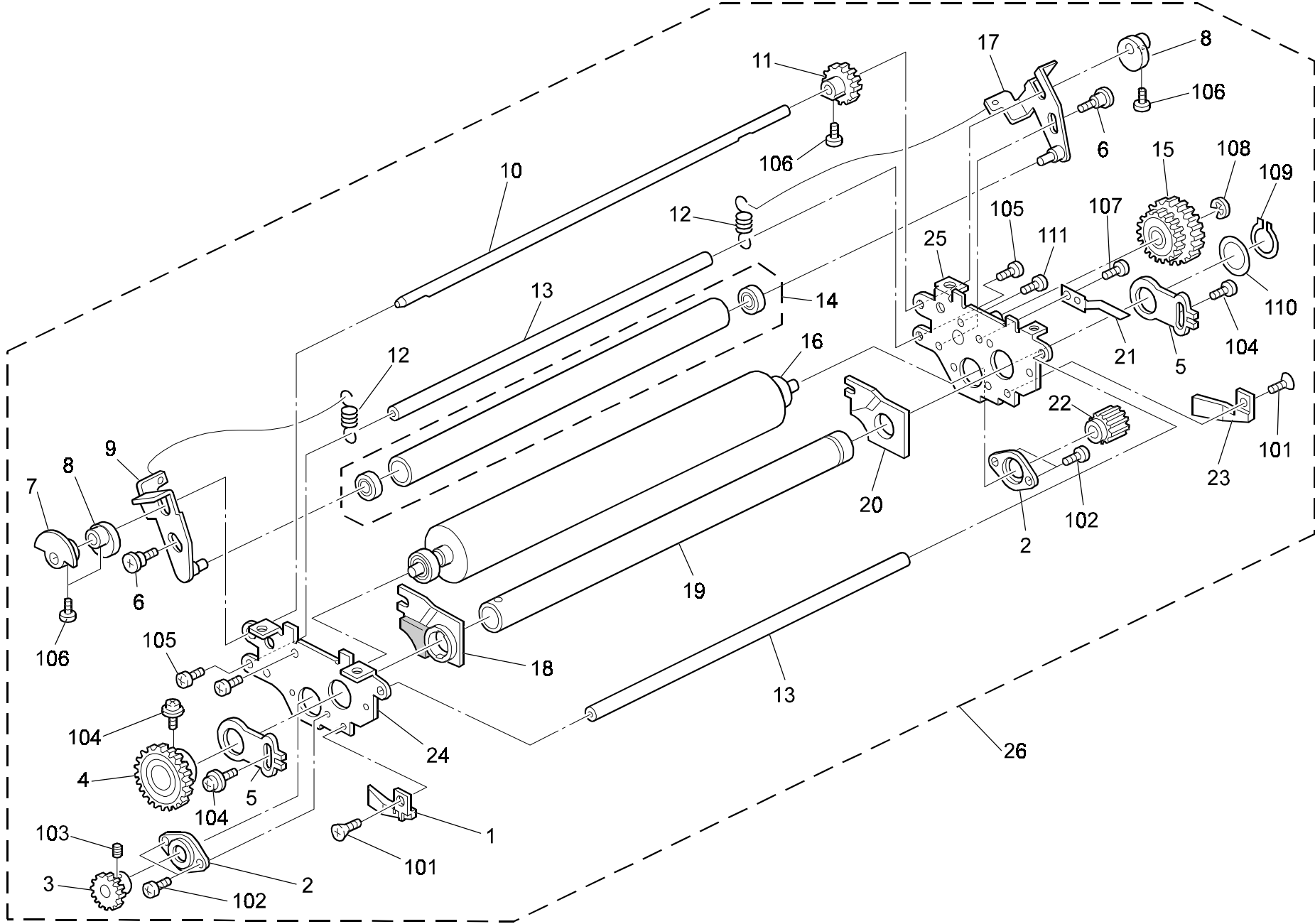


## 25.DRUM UNIT 4 (C232)

| Index No. | Part No.  | Description                | Q'ty Per Assembly |
|-----------|-----------|----------------------------|-------------------|
| 1         | C229 5256 | Harness - Oil Supply Motor | 1                 |
| 2         | C229 2558 | Motor Bracket              | 1                 |
| 3         | C229 5804 | DC Motor - 20W             | 1                 |
| 4         | C229 2490 | Ink Bottle Bracket         | 1                 |
| 5         | AW50 0012 | Push Switch                | 1                 |
| 6         | 5054 0536 | Magnet Catch Ass'y         | 1                 |
| 7         | C229 2491 | Ink Sensor Bracket         | 1                 |
| 8         | C229 2492 | Ink Sensor Terminal        | 1                 |
| 9         | C229 2369 | Bearing Shaft              | 1                 |
| 10        | C229 2494 | Left Slide Rail            | 1                 |
| 11        | C229 2495 | Right Slide Rail           | 1                 |
| 12        | C229 2563 | Sensor Bracket             | 1                 |
| 13        | AW02 0075 | Photointerruptor           | 1                 |
| 14        | C229 2371 | Bearing Shaft - Lower Left | 1                 |
| 15        | C229 5214 | Drum Harness               | 1                 |
| 16        | C229 2542 | Harness Cover              | 1                 |
| 17        | C229 2534 | Distributor Bracket        | 1                 |
| 18        | C229 2535 | Ink Distributor            | 1                 |
| 19        | C209 4713 | Hose Band                  | 2                 |
| 20        | C229 2538 | Ink Tube                   | 1                 |
| 21        | AW10 0022 | Optics Thermistor          | 1                 |

| Index No. | Part No.   | Description                         | Q'ty Per Assembly |
|-----------|------------|-------------------------------------|-------------------|
| 101       | 0353 0040B | Screw - M3X4                        |                   |
| 102       | 0951 4006Z | Philips Screw With Flat Washer - M4 |                   |
| 103       | 1105 0016  | Nylon Clamp - 4n                    |                   |
| 104       | 0951 4008Z | Philips Screw With Flat Washer M4x8 |                   |
| 105       | 0450 4008B | Tapping Screw - 4x8                 |                   |
| 106       | 0720 0050Z | Retaining Ring - M5                 |                   |
| 107       | 0740 3206  | Ball Bearing - 6x19x6               |                   |
| 108       | 0353 0060Z | Screw - M3X6                        |                   |
| 109       | 0951 3006Z | Philips Screw With Flat Washer - M3 |                   |
| 110       | 0354 0040Z | Screw - M4X4                        |                   |
| 111       | 1105 0310  | Harness Clamp - LWS-1S              |                   |

26.DRUM UNIT 5 (C232)

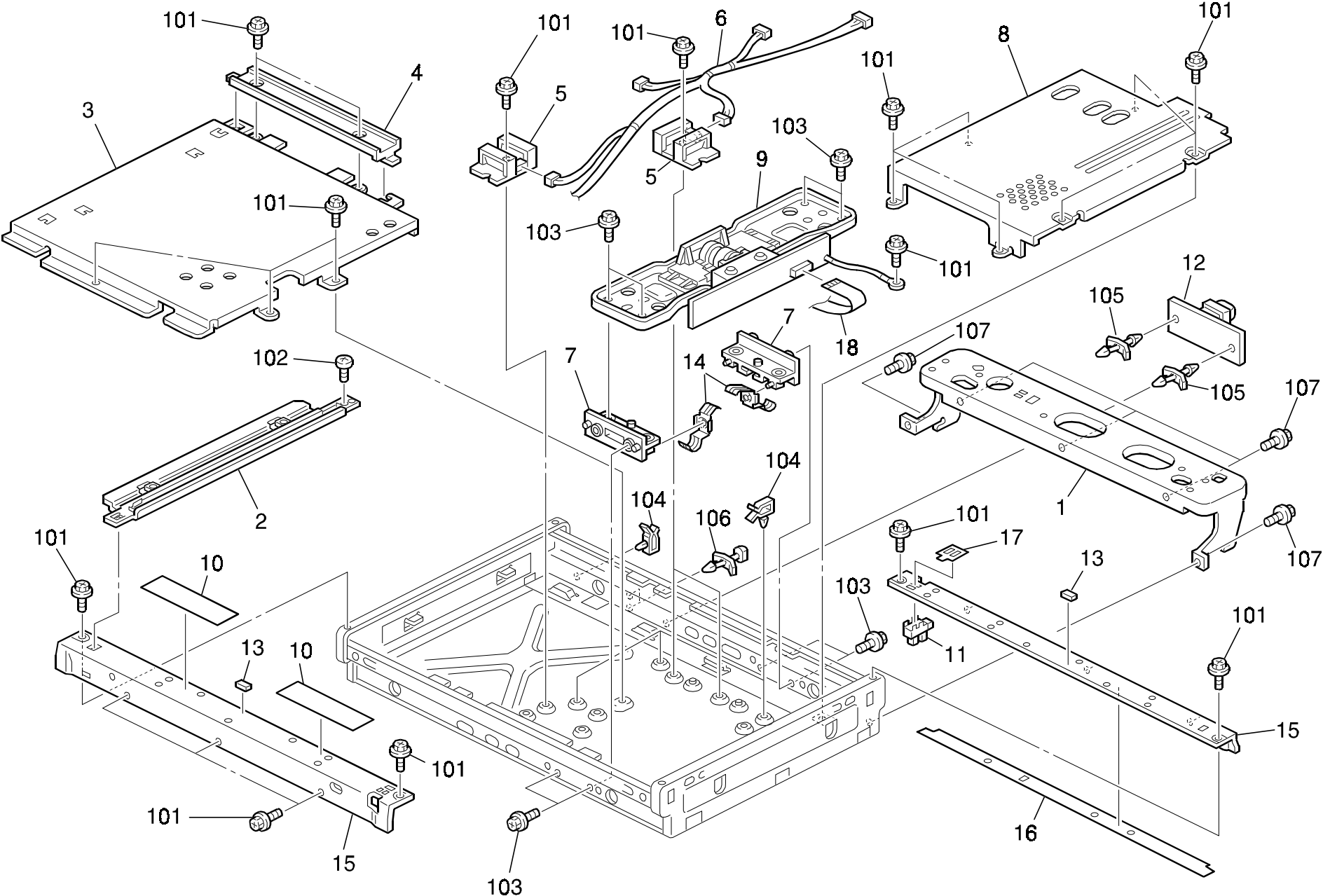


## 26.DRUM UNIT 5 (C232)

| Index No. | Part No.  | Description                     | Q'ty Per Assembly |
|-----------|-----------|---------------------------------|-------------------|
| 1         | C229 2470 | Front Ink Blade                 | 1                 |
| 2         | C201 4665 | Bearing Holder                  | 2                 |
| 3         | C229 2478 | Gear - 19Z                      | 1                 |
| 4         | C229 2459 | Gear - 37Z                      | 1                 |
| 5         | C229 2473 | Adjusting Plate - Doctor Roller | 2                 |
| 6         | C229 2561 | Stepped Screw                   | 2                 |
| 7         | C229 2550 | Sensor Actuator                 | 1                 |
| 8         | C229 2557 | Ink Supply Roller Arm           | 2                 |
| 9         | C229 2552 | Idling Roller Arm - Front       | 1                 |
| 10        | C229 2562 | Idling Roller Arm Shaft         | 1                 |
| 11        | C229 2565 | Reverse Gear                    | 1                 |
| 12        | C229 2564 | Press Roller Spring             | 2                 |
| 13        | C229 2479 | Support Stay                    | 1                 |
| 14        | C229 2545 | Ink Roller Ass'y                | 1                 |
| 15        | C229 2460 | Middle Drive Gear               | 1                 |
| 16        | C229 2451 | Ink Roller                      | 1                 |
| 17        | C229 2555 | Idling Roller Arm - Rear        | 1                 |
| 18        | C229 2450 | Front Bank Plate                | 1                 |
| 19        | C229 2458 | Doctor Roller                   | 1                 |
| 20        | C229 2466 | Rear Bank Plate                 | 1                 |
| 21        | C229 2472 | Grounding Plate                 | 1                 |
| 22        | C229 2646 | Gear Z16                        | 1                 |
| 23        | C229 2471 | Rear Ink Blade                  | 1                 |
| 24        | C229 2461 | Front Side Plate                | 1                 |
| 25        | C229 2462 | Rear Side Plate                 | 1                 |
| 26        | C229 2315 | Oil Supply Roller Ass'y         | 1                 |

| Index No. | Part No.   | Description                         | Q'ty Per Assembly |
|-----------|------------|-------------------------------------|-------------------|
| 101       | 0323 0060Z | Philips Sunk Screw - M3x6           |                   |
| 102       | 0313 0040Z | Philips Pan Head Screw - M3x4       |                   |
| 103       | 0574 0040E | Hexagon Headless Set Screw - M4x4   |                   |
| 104       | 0951 3006Z | Philips Screw With Flat Washer - M3 |                   |
| 105       | 0314 0060Z | Philips Pan Head Screw - M4x6       |                   |
| 106       | 0312 5050Z | Philips Pan Head Screw - M2.5x5     |                   |
| 107       | 0353 0040B | Screw - M3X4                        |                   |
| 108       | 0720 0080Z | Retaining Ring - M8                 |                   |
| 109       | 0725 0160E | Retaining Ring C - M16              |                   |
| 110       | 0807 7114  | Washer - 16x24x0.3mm                |                   |
| 111       | 0314 0080Z | Philips Screw - 4x8                 |                   |

27. SCANNER UNIT 1 (C232)

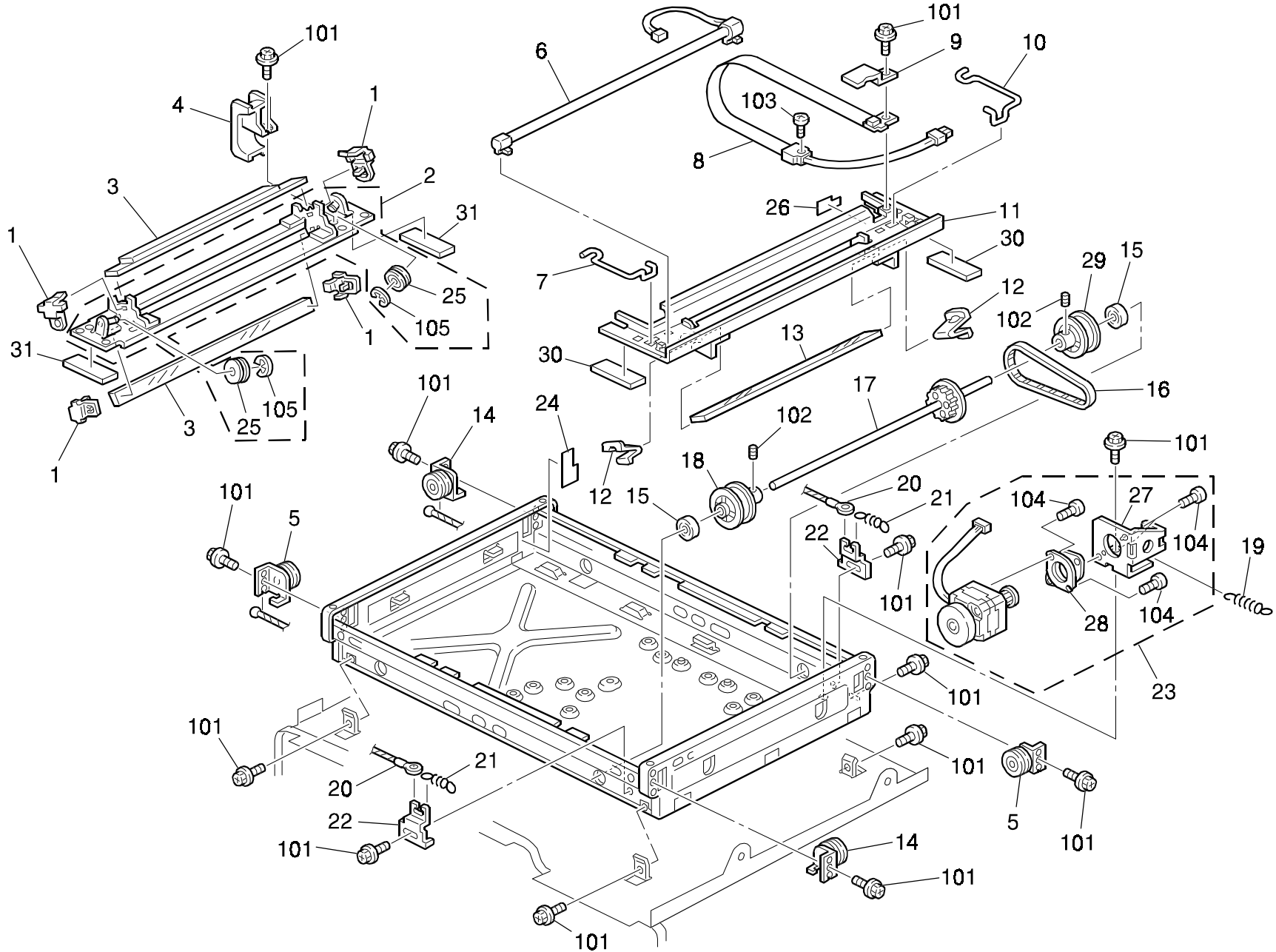


## 27. SCANNER UNIT 1 (C232)

| Index No. | Part No.  | Description                     | Q'ty Per Assembly |
|-----------|-----------|---------------------------------|-------------------|
| 1         | A193 1786 | Platen Cover Bracket            | 1                 |
| 2         | A193 1754 | Bracket - Left Original Scale   | 1                 |
| 3         | A193 1824 | Left Inner Cover - Scanner Unit | 1                 |
| 4         | A193 1781 | Lower Harness Guide             | 1                 |
| 5         | A193 5906 | Original Sensor                 | 2                 |
| 6         | C229 5220 | Scanner Harness                 | 1                 |
| 7         | A193 1826 | Lens Block Holder               | 2                 |
| 8         | A193 1689 | Right Inner Cover               | 1                 |
| 9         | A193 1679 | Lens Holder Ass'y               | 1                 |
| 10        | A193 1819 | Front Seal - Scanner Frame      | 1                 |
| 11        | AW02 0075 | Photointerruptor                | 1                 |
| 12        | A193 5730 | Atabilizer - Xenon Lamp         | 1                 |
| 13        | 5442 1924 | Exposure Glass Cushion          | 2                 |
| 14        | A193 1790 | Grounding Plate - Lens Block    | 2                 |
| 15        | A193 1818 | Frame                           | 2                 |
| 16        | A193 1795 | Seal - Scanner Frame            | 1                 |
| 17        | A193 1793 | Scanner Home Sensor Stopper     | 1                 |
| 18        | C232 5280 | Harness - SBU                   | 1                 |

| Index No. | Part No.   | Description                | Q'ty Per Assembly |
|-----------|------------|----------------------------|-------------------|
| 101       | 0451 3006B | Tapping Screw - M3x6       |                   |
| 102       | 0353 0050F | Tapping Screw - M3x5       |                   |
| 103       | 0450 3010B | Tapping Screw - M3x10      |                   |
| 104       | 1105 0290  | Harness Clamp - Horizontal |                   |
| 105       | 1105 0195  | PCB Stud                   |                   |
| 106       | 1105 0415  | Spacer - 12.7mm            |                   |
| 107       | 0451 3008B | Tapping Screw - M3x8       |                   |

28. SCANNER UNIT 2 (C232)



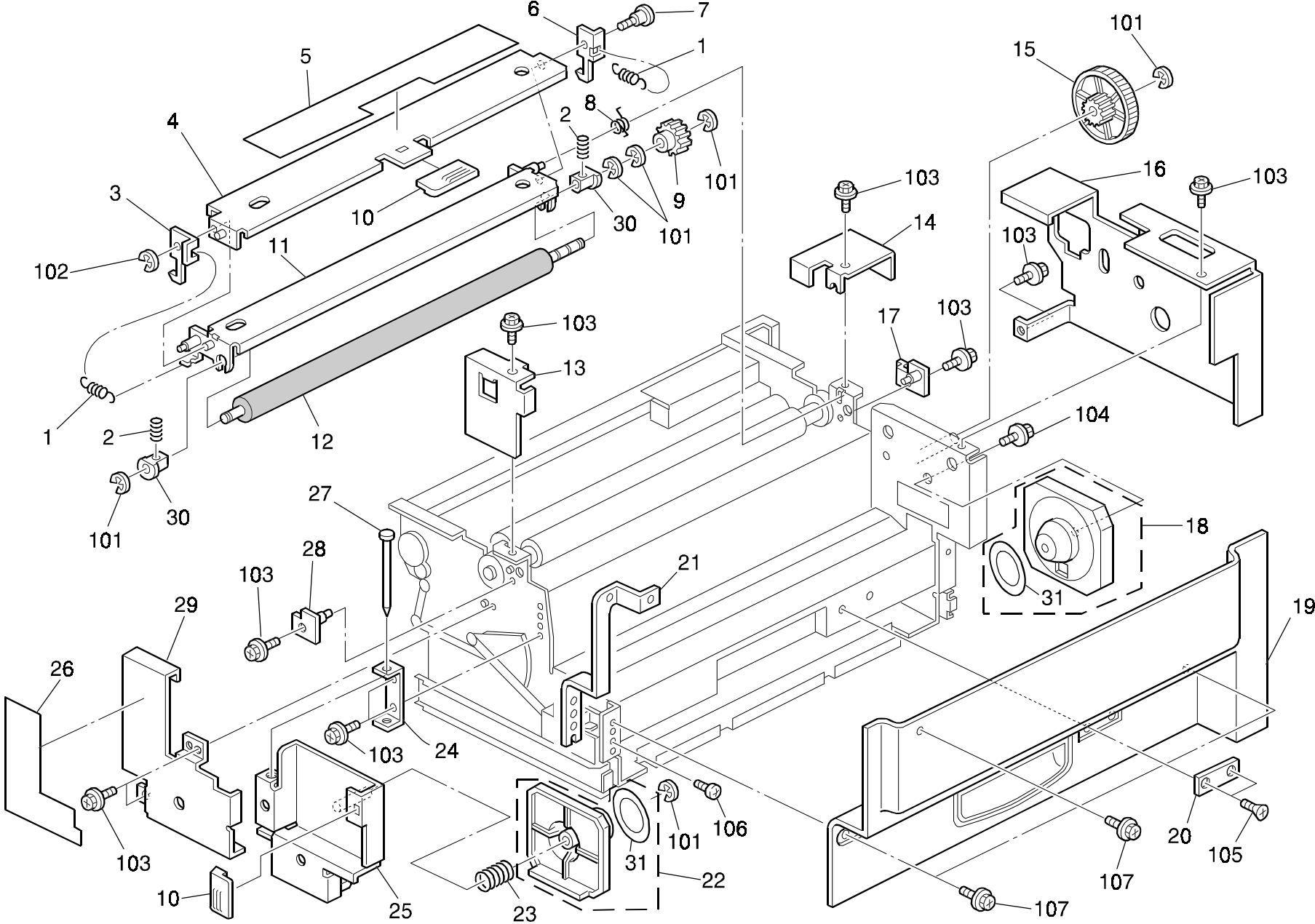
## 28. SCANNER UNIT 2 (C232)

| Index No. | Part No.  | Description                   | Q'ty Per Assembly |
|-----------|-----------|-------------------------------|-------------------|
| 1         | A193 1777 | 2nd/3rd Mirror Holder         | 4                 |
| 2         | A193 1770 | 2nd Scanner Ass'y             | 1                 |
| 3         | A193 1669 | 2nd/3rd Mirror                | 2                 |
| 4         | A193 1776 | Upper Harness Guide           | 1                 |
| 5         | A267 1853 | Pulley - Front Left           | 2                 |
| 6         | A193 5709 | Exposure Lamp                 | 1                 |
| 7         | A193 1766 | Wire Clamp                    | 1                 |
| 8         | A193 5703 | Exposure Lamp Harness         | 1                 |
| 9         | A193 1799 | Harness Guide - Exposure Lamp | 1                 |
| 10        | A193 1769 | Clamp - Rear Wire             | 1                 |
| 11        | A193 1760 | 1st Scanner Ass'y             | 1                 |
| 12        | A193 1767 | 1st Mirror Holder             | 2                 |
| 13        | A193 1764 | 1st Mirror                    | 1                 |
| 14        | A267 1854 | Pulley - Rear Left            | 2                 |
| 15        | A193 1829 | Ball Bearing - M8             | 2                 |
| 16        | A193 1840 | Timing Belt - L220 B8         | 1                 |
| 17        | A193 1682 | Scanner Drive Pulley Ass'y    | 1                 |
| 18        | A193 1832 | Front Scanner Pulley          | 1                 |
| 19        | A193 1784 | Tension Spring                | 1                 |
| 20        | A193 1838 | Scanner Drive Wire            | 1                 |
| 21        | A193 1783 | Tension Spring                | 2                 |
| 22        | A193 1849 | Tension Bracket               | 2                 |
| 23        | A193 1690 | Scanner Motor - DC            | 1                 |
| 24        | A193 1798 | Seal - Side Plate             | 1                 |
| 25        | A193 1846 | Pulley - M18                  | 2                 |
| 26        | A193 1796 | Seal - Carriage               | 1                 |
| 27        | A193 1843 | Motor Bracket                 | 1                 |
| 28        | A193 1844 | Stepping Motor Cushion        | 1                 |
| 29        | A193 1831 | Rear Scanner Pulley           | 1                 |
| 30        | A193 1816 | Slide Rail                    | 2                 |
| 31        | A193 1817 | Slide Rail 2                  | 2                 |

| Index No. | Part No.   | Description                       | Q'ty Per Assembly |
|-----------|------------|-----------------------------------|-------------------|
| 101       | 0451 3006B | Tapping Screw - M3x6              |                   |
| 102       | 0575 0050E | Hexagon Headless Set Screw - M5x5 |                   |
| 103       | 0453 3014B | Taping Screw - M3x14              |                   |
| 104       | 0451 3008B | Tapping Screw - M3x8              |                   |
| 105       | 0720 0040  | Retaining Ring-m4                 |                   |



# 29.PLOTTER UNIT 1 (C232)

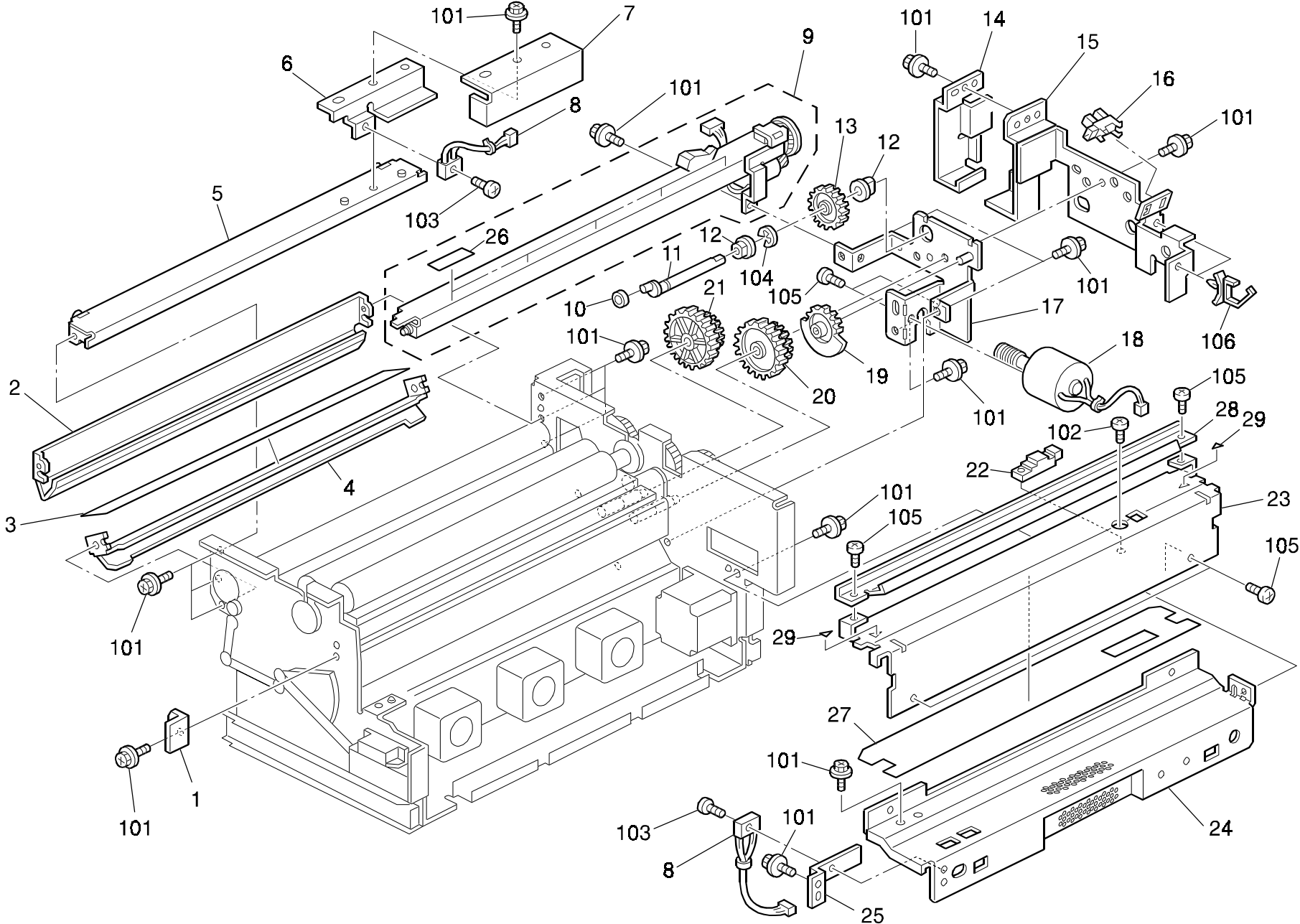


## 29.PLOTTER UNIT 1 (C232)

| Index No. | Part No.  | Description                    | Q'ty Per Assembly |
|-----------|-----------|--------------------------------|-------------------|
| 1         | C229 2159 | Pressure Spring                | 2                 |
| 2         | C229 2163 | Spring                         | 2                 |
| 3         | C229 2148 | Left Arm - Master Feed Roller  | 1                 |
| 4         | C229 2147 | Master Roller Bracket          | 1                 |
| 5         | C229 2138 | Decal - Master Set             | 1                 |
| 6         | C229 2149 | Right Arm - Master Feed Roller | 1                 |
| 7         | A077 4162 | Shoulder Screw - M3            | 1                 |
| 8         | C229 2160 | Release Spring                 | 1                 |
| 9         | C229 2161 | Master Feed Roller Gear        | 1                 |
| 10        | C229 2158 | Maser Feed Roller Knob         | 2                 |
| 11        | C229 2172 | Master Feed Roller Stay        | 1                 |
| 12        | C229 2157 | Master Feed Roller             | 1                 |
| 13        | C232 1976 | Front Platen Stopper           | 1                 |
| 14        | C229 1981 | Rear Stopper                   | 1                 |
| 15        | C229 2028 | Maser Roll Pulley              | 1                 |
| 16        | C232 1982 | Plotter Rear Cover             | 1                 |
| 17        | C232 2170 | Rear Guide Pin - Operation     | 1                 |
| 18        | C229 2196 | Rear Master Flange             | 1                 |
| 19        | C229 2132 | Plotter Cover                  | 1                 |
| 20        | C213 2435 | Magnet Plate                   | 1                 |
| 21        | C229 1979 | Stay - Plotter Cover           | 1                 |
| 22        | C229 2201 | Front Flange Ass'y             | 1                 |
| 23        | C232 2191 | Pressure Spring                | 1                 |
| 24        | C229 2188 | Front Master Stay              | 1                 |
| 25        | C229 2193 | Front Bracket - Master Flange  | 1                 |
| 26        | C229 1978 | Decal - Master Removal         | 1                 |
| 27        | C229 2187 | Bracket Hinge Pin              | 1                 |
| 28        | C229 2165 | Front Positioning Pin          | 1                 |
| 29        | C229 1977 | Plotter Cover - Front          | 1                 |
| 30        | C229 2162 | Bushing                        | 2                 |
| 31        | C229 2183 | Master Flange Sheet            | 2                 |

| Index No. | Part No.   | Description                       | Q'ty Per Assembly |
|-----------|------------|-----------------------------------|-------------------|
| 101       | 0720 0040E | Retaining Ring - M4               |                   |
| 102       | 0720 0030E | Retaining Ring - M3               |                   |
| 103       | 0451 3006B | Tapping Screw - M3x6              |                   |
| 104       | 0450 3008B | Tapping Screw - M3x8              |                   |
| 105       | 0324 0140B | Philips Sunken Head Screw - M4x14 |                   |
| 106       | 0354 0060B | Screw - M4X6                      |                   |
| 107       | 0451 4006H | Tapping Screw - M4x6              |                   |

30.PLOTTER UNIT 2 (C232)

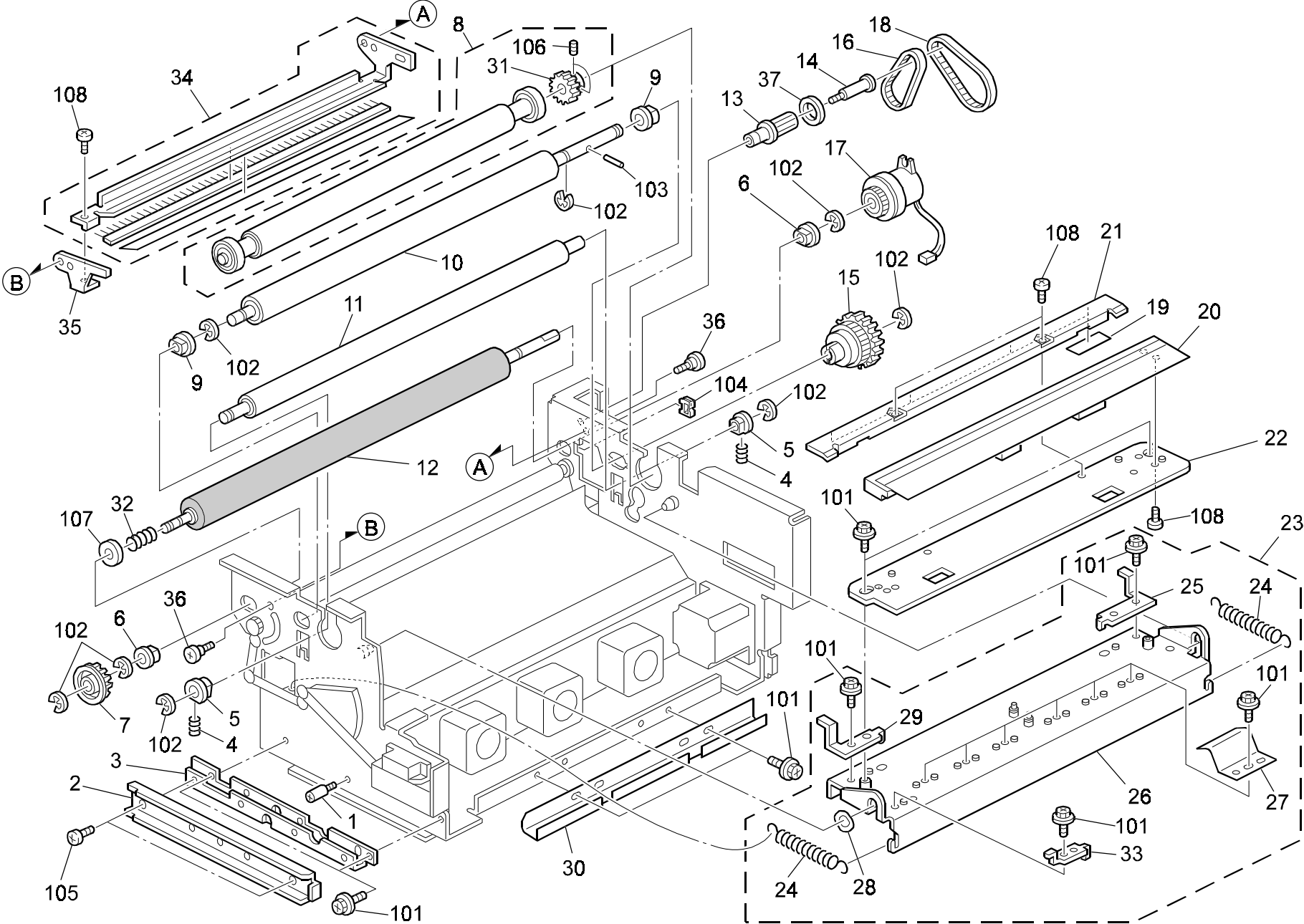


### 30.PLOTTER UNIT 2 (C232)

| Index No. | Part No.  | Description                  | Q'ty Per Assembly |
|-----------|-----------|------------------------------|-------------------|
| 1         | C229 2189 | Master Flange Spring         | 1                 |
| 2         | C229 2036 | Rear Upper Guide Plate       | 1                 |
| 3         | C229 2037 | Lower Guide Mylar            | 1                 |
| 4         | C229 2035 | Rear Lower Guide Plate       | 1                 |
| 5         | C229 1985 | Master Unit Stay             | 1                 |
| 6         | C229 2240 | Bracket - Master Sensor      | 1                 |
| 7         | C229 2239 | Master Sensor Cover          | 1                 |
| 8         | C209 8117 | Drum Master Detection Sensor | 2                 |
| 9         | C229 2209 | Cutter Unit Ass'y            | 1                 |
| 10        | C229 2113 | Release Roller               | 1                 |
| 11        | C229 2112 | Release Cam                  | 1                 |
| 12        | H012 1181 | Bushing- 6mm                 | 2                 |
| 13        | C229 2102 | Drive Gear - 26Z             | 1                 |
| 14        | C229 2273 | Rear Harness Cover           | 1                 |
| 15        | C229 2271 | H.p Sensor Bracket           | 1                 |
| 16        | AW02 0075 | Photointerruptor             | 1                 |
| 17        | C229 2109 | Motor Bracket                | 1                 |
| 18        | C229 5803 | DC Motor - 50W               | 1                 |
| 19        | C229 2107 | Actuator Gear                | 1                 |
| 20        | C229 2104 | Idle Gear                    | 1                 |
| 21        | C229 2103 | Worm Gear                    | 1                 |
| 22        | C229 5807 | Photosensor - GP2A25         | 1                 |
| 23        | C232 2135 | Lower Guide Plate            | 1                 |
| 24        | C229 2139 | Lower Master Cover           | 1                 |
| 25        | C229 2251 | Position Sensor Bracket      | 1                 |
| 26        | C229 2032 | Left Guide Mylar             | 1                 |
| 27        | C232 2137 | Master Guide                 | 1                 |
| 28        | C232 2138 | Upper Guide - Master         | 1                 |
| 29        | C229 2142 | Decal - Master Position      | 2                 |

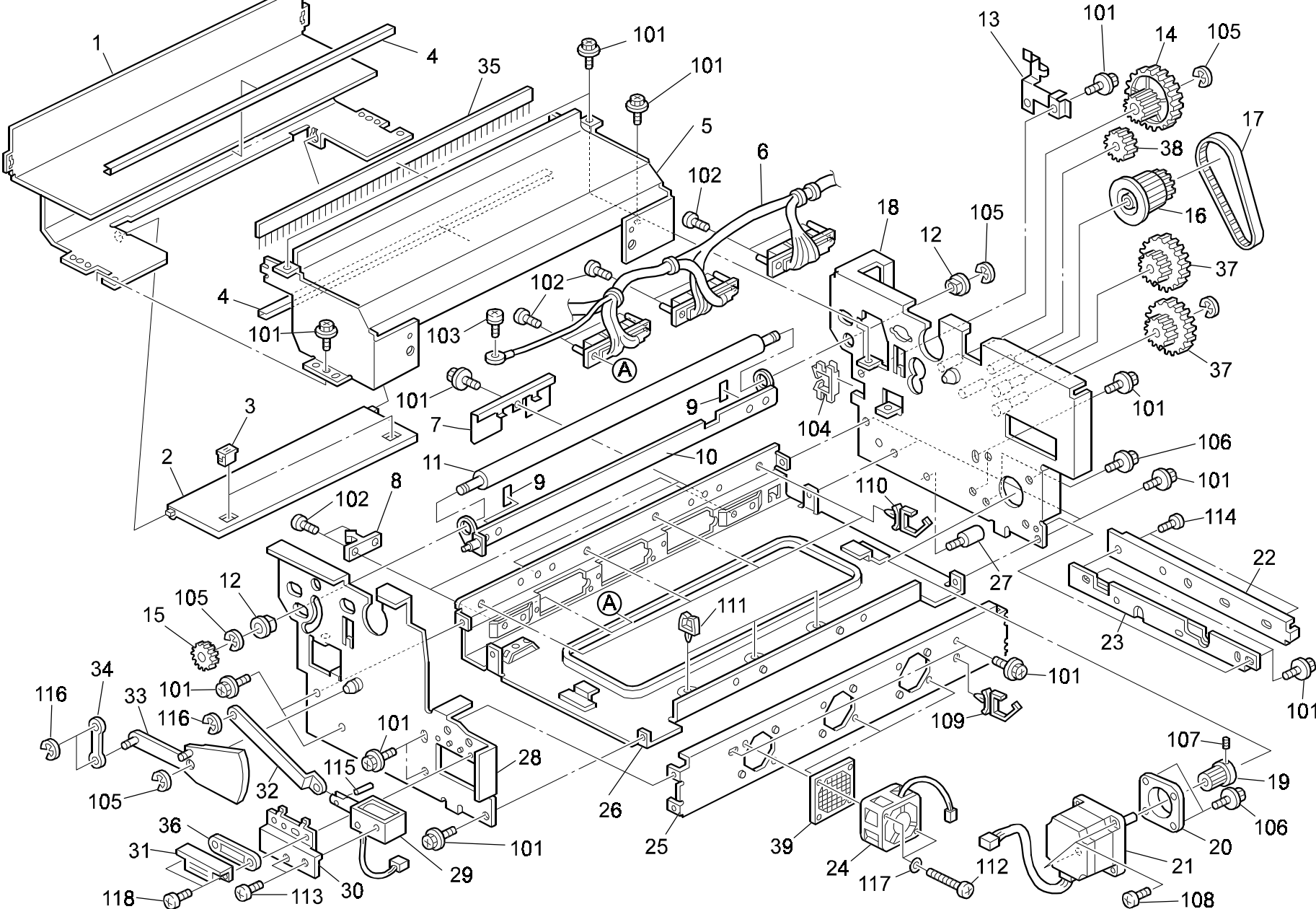
| Index No. | Part No.   | Description                   | Q'ty Per Assembly |
|-----------|------------|-------------------------------|-------------------|
| 101       | 0451 3006B | Tapping Screw - M3x6          |                   |
| 102       | 0353 0060B | Philips Pan Head Screw - M3x6 |                   |
| 103       | 0352 0080B | Screw M2.5x8                  |                   |
| 104       | 0720 0040E | Retaining Ring - M4           |                   |
| 105       | 0353 0040B | Screw - M3X4                  |                   |
| 106       | 1105 0413  | Harness Clamp                 |                   |

# 31.PLOTTER UNIT 3 (C232)





# 32.PLOTTER UNIT 4 (C232)



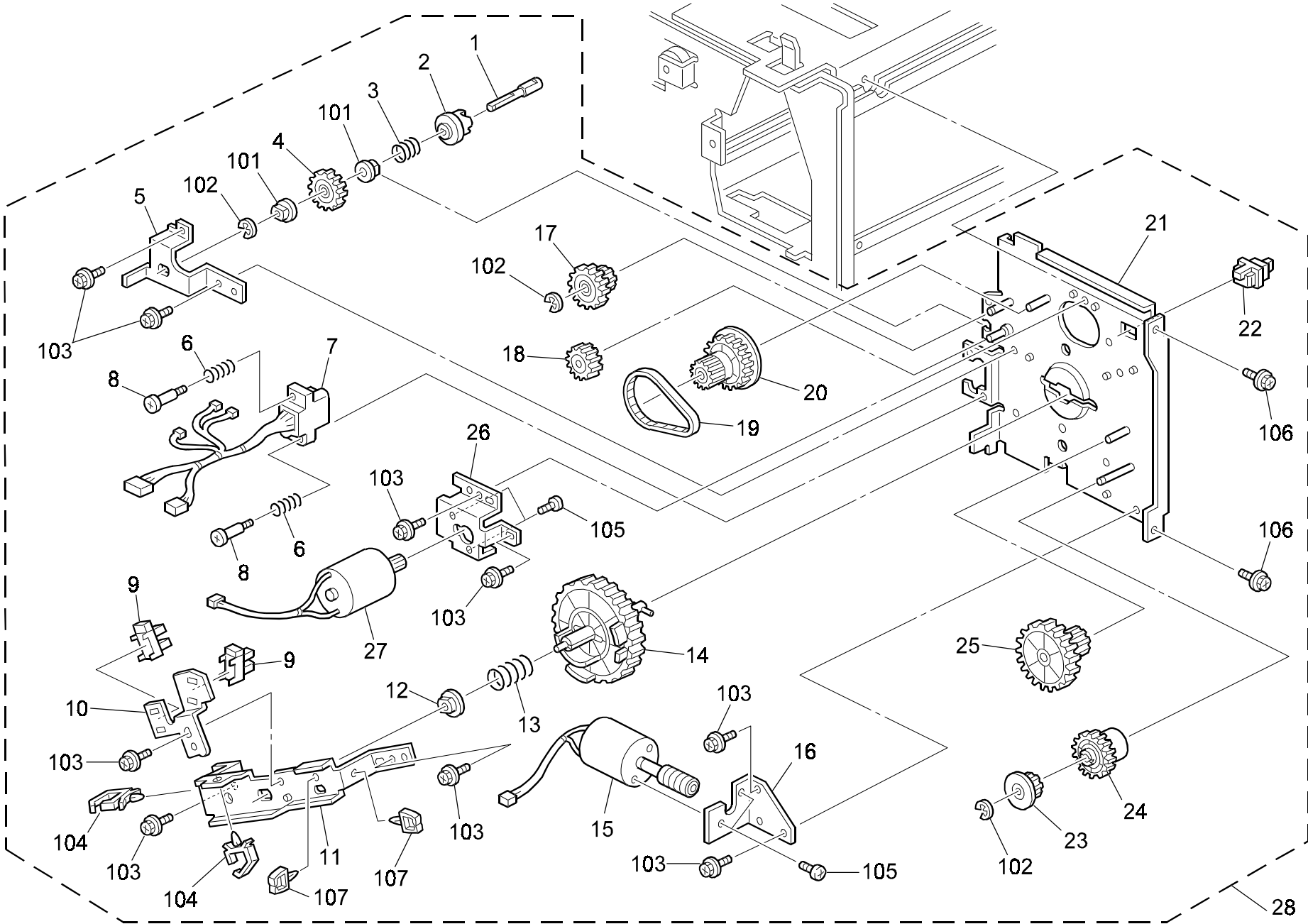
### 32.PLOTTER UNIT 4 (C232)

| Index No. | Part No.  | Description                | Q'ty Per Assembly |
|-----------|-----------|----------------------------|-------------------|
| 1         | C229 2068 | Lower Duct Case            | 1                 |
| 2         | C229 2064 | Lower Duct Cover           | 1                 |
| 3         | A049 3371 | Magnet                     | 2                 |
| 4         | C229 2078 | Guard - Duct               | 2                 |
| 5         | C229 2073 | Upper Duct Cover           | 1                 |
| 6         | C232 5248 | Plotter Harness            | 1                 |
| 7         | C229 2248 | Left Grounding Plate       | 1                 |
| 8         | A659 1272 | Door Catch                 | 1                 |
| 9         | C229 2047 | Right Reverse Roller Guide | 2                 |
| 10        | C229 2042 | Release Guide Plate        | 1                 |
| 11        | C229 2009 | Lower Reverse Roller       | 1                 |
| 12        | H053 1600 | Bushing - 6mm              | 2                 |
| 13        | C229 2254 | Harness Cover              | 1                 |
| 14        | C232 2022 | Platen Idle Gear           | 1                 |
| 15        | C229 2026 | Gear - 15Z                 | 1                 |
| 16        | C232 2021 | Motor Purrey               | 1                 |
| 17        | C232 2222 | Timing Belt - B101MXL9.5   | 1                 |
| 18        | C232 1961 | Rear Side Plate            | 1                 |
| 19        | C219 4071 | Gear - 17Z                 | 1                 |
| 20        | C229 2221 | Master Feed Motor Bracket  | 1                 |
| 21        | C229 5802 | Stepper Motor              | 1                 |
| 22        | C229 1995 | Slide Rail                 | 1                 |
| 23        | C229 1998 | Rear Rail Spacer           | 1                 |
| 24        | C222 8208 | Air Knife Motor            | 3                 |
| 25        | C229 2065 | Right Guide Plate          | 1                 |
| 26        | C229 2255 | Plotter Bottom Plate       | 1                 |
| 27        | C229 1994 | Middle Rail Stopper Ass'y  | 1                 |
| 28        | C232 1951 | Front Side Plate           | 1                 |
| 29        | C209 8234 | Drum Lock Solenoid         | 1                 |
| 30        | C229 2215 | Solenoid Cover             | 1                 |
| 31        | C230 2198 | Magnet Catch               | 1                 |
| 32        | C229 2058 | Lower Guide Link           | 1                 |
| 33        | C229 2052 | Release Guide Arm          | 1                 |
| 34        | C229 2057 | Upper Link Arm             | 1                 |
| 35        | C229 2071 | Antistatic Brush - 310     | 1                 |

| Index No. | Part No.   | Description                       | Q'ty Per Assembly |
|-----------|------------|-----------------------------------|-------------------|
| 36        | C230 2199  | Magnet Catch Spacer               | 1                 |
| 37        | C232 2023  | Gear - 17/34Z                     | 2                 |
| 38        | C232 2024  | Gear - 16Z                        | 1                 |
| 39        | C229 2066  | Fan Cover                         | 3                 |
| 101       | 0451 3006B | Tapping Screw - M3x6              |                   |
| 102       | 0313 0080B | Philips Pan Head Screw - M3x8     |                   |
| 103       | 0354 0060B | Screw - M4X6                      |                   |
| 104       | 1105 0328  | Harness Clamp - ES-0505           |                   |
| 105       | 0720 0040E | Retaining Ring - M4               |                   |
| 106       | 0451 4008B | Philips Tapping Screw - M4x8      |                   |
| 107       | 0574 0040E | Hexagon Headless Set Screw - M4x4 |                   |
| 108       | 0314 0080B | Philips Pan Head Screw - M4x8     |                   |
| 109       | 1105 0310  | Harness Clamp - LWS-1S            |                   |
| 110       | 1105 0291  | Harness Clamp - LWS-3S            |                   |
| 111       | 1105 0230  | Clamp                             |                   |
| 112       | 0313 0350B | Philips Pan Head Screw - M3x35    |                   |
| 113       | 0353 0040B | Screw - M3X4                      |                   |
| 114       | 0353 0060Z | Screw - M3X6                      |                   |
| 115       | 0623 0120E | Spring Pin - M3x12                |                   |
| 116       | 0720 0030E | Retaining Ring - M3               |                   |
| 117       | 0701 0030Z | Flat Washer - M3                  |                   |
| 118       | 0453 3010B | Binding Sel                       |                   |



33.MASTER EJECT 1 (C232)

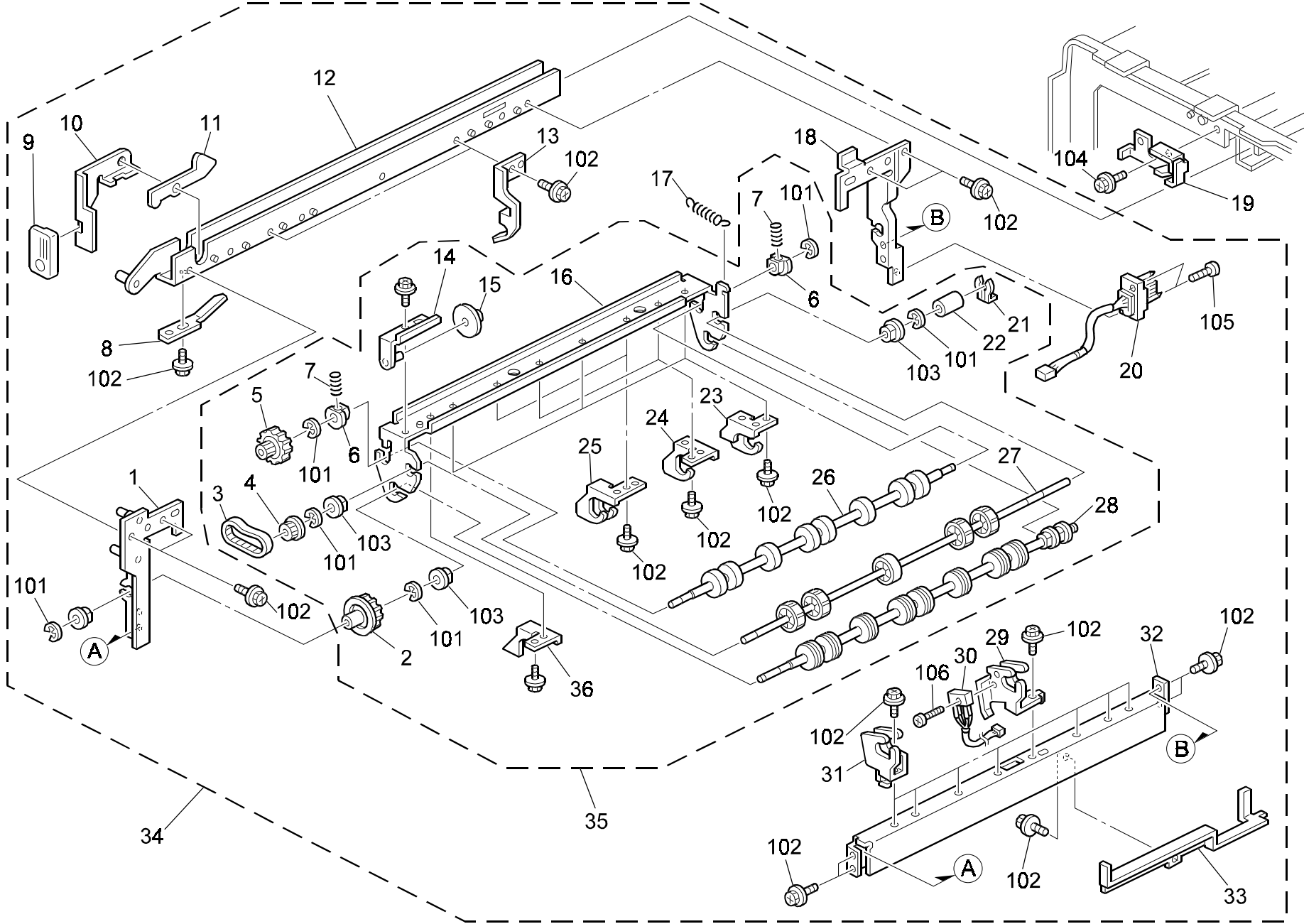


### 33.MASTER EJECT 1 (C232)

| Index No. | Part No.  | Description                  | Q'ty Per Assembly |
|-----------|-----------|------------------------------|-------------------|
| 1         | C229 3548 | Joint Shaft                  | 1                 |
| 2         | C229 3547 | Joint Cam                    | 1                 |
| 3         | C229 3541 | Joint Pressuer Spring        | 1                 |
| 4         | C229 2102 | Drive Gear - 26Z             | 1                 |
| 5         | C229 3549 | Joint Gear Bracket           | 1                 |
| 6         | AA06 3163 | Connector Spring             | 2                 |
| 7         | C229 5228 | Relay Harness - Master Eject | 1                 |
| 8         | AA14 3120 | Stepped Screw - M3x3         | 2                 |
| 9         | AW02 0075 | Photointerruptor             | 2                 |
| 10        | C229 3582 | Positioning Sensor Bracket   | 1                 |
| 11        | C229 3564 | Eject Cam Holder             | 1                 |
| 12        | C229 3566 | Bushing - 8mm                | 1                 |
| 13        | C229 3565 | Maser Eject Cam Spring       | 1                 |
| 14        | C229 3559 | Maser Eject Cam              | 1                 |
| 15        | C229 5803 | DC Motor - 50W               | 1                 |
| 16        | C229 3563 | Motor Bracket                | 1                 |
| 17        | C229 3545 | 2nd Gear - 8Z/32Z            | 1                 |
| 18        | C229 3542 | 3rd Gear - 22Z               | 1                 |
| 19        | C229 3551 | Timing Belt - S2M160         | 1                 |
| 20        | C229 3544 | Gear Pulley - 18Z/60Z        | 1                 |
| 21        | C229 3570 | Rear Side Plate              | 1                 |
| 22        | AW50 0012 | Push Switch                  | 1                 |
| 23        | C229 3557 | Gear - 17Z                   | 1                 |
| 24        | C229 3556 | Torque Limmiter              | 1                 |
| 25        | C229 3558 | 2nd Gear - 18Z/49Z           | 1                 |
| 26        | C229 3543 | Mortor Bracket               | 1                 |
| 27        | C229 5811 | DC Motor - 50W               | 1                 |
| 28        | C229 3402 | Maser Eject Drive Ass'y      | 1                 |

| Index No. | Part No.   | Description            | Q'ty Per Assembly |
|-----------|------------|------------------------|-------------------|
| 101       | 0805 3385  | Bushing - 6mm          |                   |
| 102       | 0720 0040E | Retaining Ring - M4    |                   |
| 103       | 0451 3006B | Tapping Screw - M3x6   |                   |
| 104       | 1105 0310  | Harness Clamp - LWS-1S |                   |
| 105       | 0353 0040B | Screw - M3X4           |                   |
| 106       | 0451 4006B | Tapping Screw - 4x6    |                   |
| 107       | 1105 0199  | Clamp                  |                   |

# 34.MASTER EJECT 2 (C232)

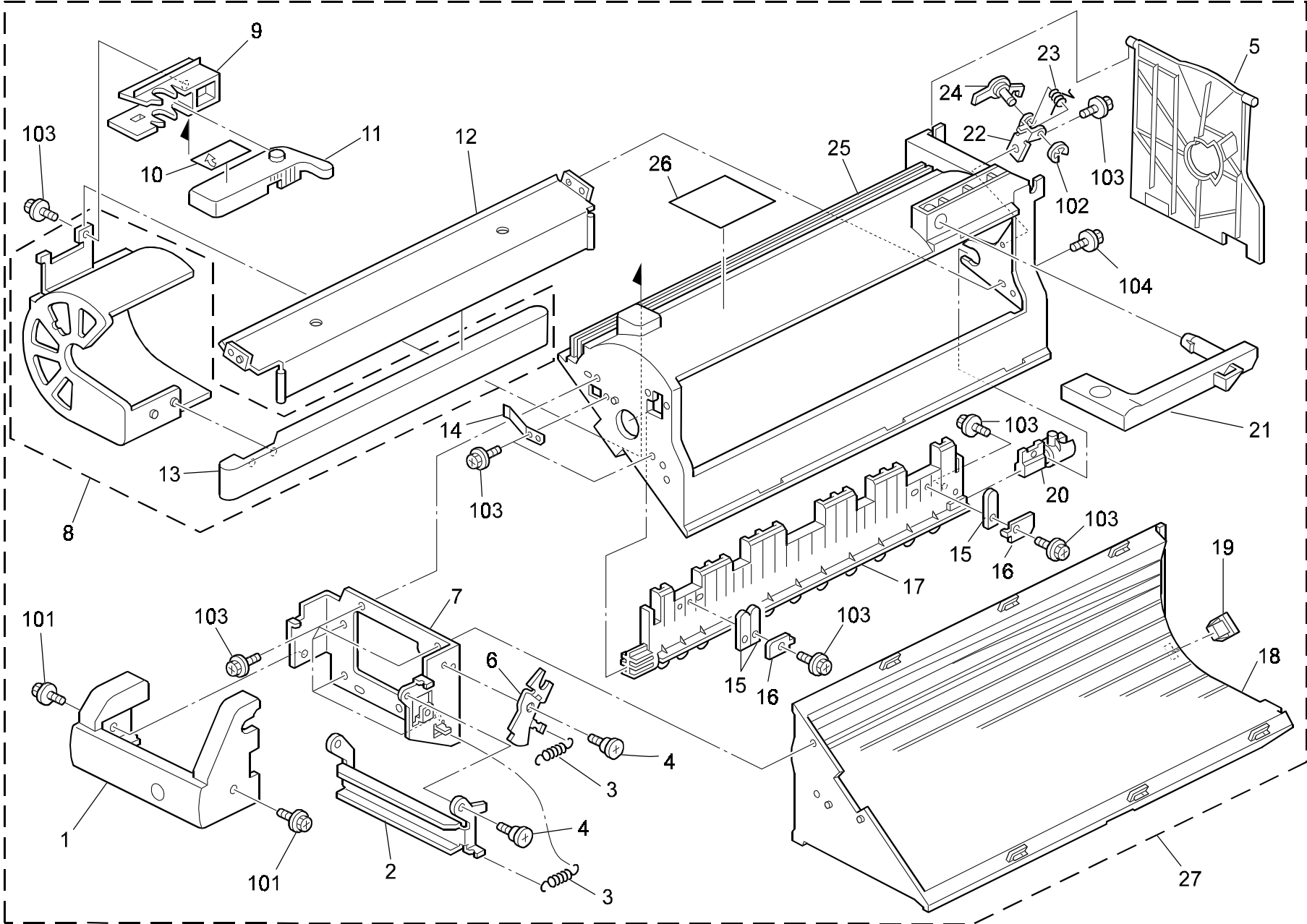


### 34.MASTER EJECT 2 (C232)

| Index No. | Part No.  | Description                  | Q'ty Per Assembly |
|-----------|-----------|------------------------------|-------------------|
| 1         | C229 3487 | Front Slide Plate            | 1                 |
| 2         | C229 3537 | Transport Lower Gear - 26Z   | 1                 |
| 3         | C229 3532 | Timing Belt - S2M76          | 1                 |
| 4         | C229 3530 | Driven Pulley - 18Z          | 1                 |
| 5         | C229 3531 | Gear/pulley - 26Z/16T        | 1                 |
| 6         | C229 3486 | Bushing - Maser Eject Roller | 2                 |
| 7         | C229 3459 | Pressure Spring              | 2                 |
| 8         | C229 3476 | Spring Plate                 | 1                 |
| 9         | C229 3471 | Roller Unit Knob             | 1                 |
| 10        | C229 3478 | Roller Unit Arm              | 1                 |
| 11        | C229 3474 | Roller Unit Lock Arm         | 1                 |
| 12        | C229 3485 | Upper Slide Rail             | 1                 |
| 13        | C229 3609 | Master Edge Guide            | 2                 |
| 14        | C229 3533 | Belt Tension Bracket         | 1                 |
| 15        | C229 3536 | Belt Tension Callar          | 1                 |
| 16        | C229 3455 | Roller Stay                  | 1                 |
| 17        | C229 3482 | Pressuer Spring              | 1                 |
| 18        | C229 3462 | Rear Side Plate              | 1                 |
| 19        | C229 3589 | Slide Rail Stopper           | 1                 |
| 20        | C229 5254 | Harness - Master Sensor      | 1                 |
| 21        | 5447 2681 | Snap Ring                    | 1                 |
| 22        | C229 3481 | Callar - 6mm                 | 1                 |
| 23        | C229 3457 | Rear Upper Guide             | 3                 |
| 24        | C229 3458 | Front Upper Guide            | 2                 |
| 25        | C229 3456 | Middle Guide                 | 2                 |
| 26        | C229 3453 | Upper Transport Roller       | 1                 |
| 27        | C229 3454 | Separation Roller            | 1                 |
| 28        | C229 3451 | Lower Transport Roller       | 1                 |
| 29        | C229 3467 | Sensor Bracket               | 1                 |
| 30        | C229 5825 | Master Sensor                | 1                 |
| 31        | C229 3465 | Transport Lower Guide        | 7                 |
| 32        | C229 3464 | Lower Stay                   | 1                 |
| 33        | C229 3488 | Sensor Harness Cover         | 1                 |
| 34        | C229 3400 | Maser Eject Roller Ass'y     | 1                 |
| 35        | C229 3450 | Transport Roller             | 1                 |

| Index No. | Part No.   | Description                   | Q'ty Per Assembly |
|-----------|------------|-------------------------------|-------------------|
| 36        | C229 3615  | Upper Guide - Eject Roller    | 1                 |
| 101       | 0720 0040E | Retaining Ring - M4           |                   |
| 102       | 0451 3006B | Tapping Screw - M3x6          |                   |
| 103       | 0805 3385  | Bushing - 6mm                 |                   |
| 104       | 0451 4006B | Tapping Screw - 4x6           |                   |
| 105       | 0313 0080B | Philips Pan Head Screw - M3x8 |                   |
| 106       | 0242 0080Z | Screw - M2X8                  |                   |

35.MASTER EJECT 3 (C232)

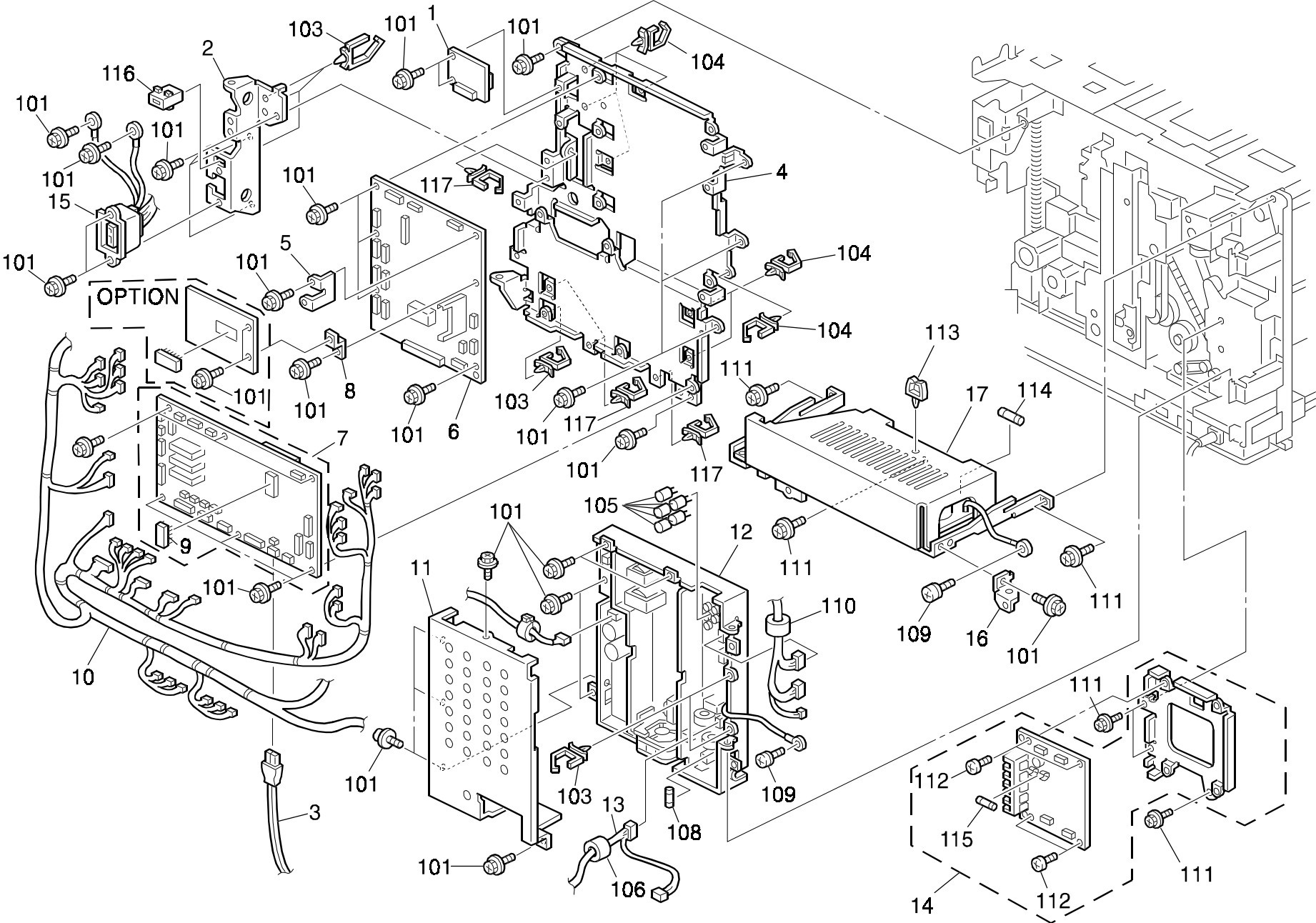


### 35.MASTER EJECT 3 (C232)

| Index No. | Part No.  | Description                  | Q'ty Per Assembly |
|-----------|-----------|------------------------------|-------------------|
| 1         | C229 3521 | Mster Eject Box Grip         | 1                 |
| 2         | C229 3524 | Eject Box Lock Lever         | 1                 |
| 3         | C229 3525 | Release Spring               | 2                 |
| 4         | C229 3522 | Stepped Screw                | 2                 |
| 5         | C229 3510 | Maser Eject Cover            | 1                 |
| 6         | C229 3523 | Eject Box Lock Arm           | 1                 |
| 7         | C229 3526 | Eject Box Grip Bracket       | 1                 |
| 8         | C229 3497 | Eject Box Guide Ass'y        | 1                 |
| 9         | C229 3501 | Eject Box Slider             | 1                 |
| 10        | C229 3529 | Decal - Delicvery Table Slid | 1                 |
| 11        | C229 3502 | Slide Lock Lever             | 1                 |
| 12        | C229 3518 | Eject Box Upper Stay         | 1                 |
| 13        | C229 3499 | Eject Box Lower Stay         | 1                 |
| 14        | C229 3514 | Grounding Plate              | 1                 |
| 15        | C229 3495 | Master Stripper Pawl         | 3                 |
| 16        | C229 3496 | Master Stripper Pawl Holder  | 2                 |
| 17        | C229 3493 | Master Press Arm             | 1                 |
| 18        | C229 3517 | Lower Left Case              | 1                 |
| 19        | A049 3371 | Magnet                       | 1                 |
| 20        | C229 3494 | Master Press Arm Shaft       | 1                 |
| 21        | C229 3513 | Upper Case Grip              | 1                 |
| 22        | C229 3509 | Upper Case Bracket           | 1                 |
| 23        | C229 3508 | Release Spring               | 1                 |
| 24        | C229 3505 | Upper Case Release Lever     | 1                 |
| 25        | C229 3491 | Upper Case                   | 1                 |
| 26        | C229 3528 | Decal - Maser Eject Box      | 1                 |
| 27        | C229 3401 | Maser Eject Box Ass'y        | 1                 |

| Index No. | Part No.   | Description                  | Q'ty Per Assembly |
|-----------|------------|------------------------------|-------------------|
| 101       | 0451 4008B | Philips Tapping Screw - M4x8 |                   |
| 102       | 0720 0040E | Retaining Ring - M4          |                   |
| 103       | 0450 3008B | Tapping Screw - M3x8         |                   |
| 104       | 0451 3006B | Tapping Screw - M3x6         |                   |

# 36.ELECTRICAL SECTION 1 (C232)



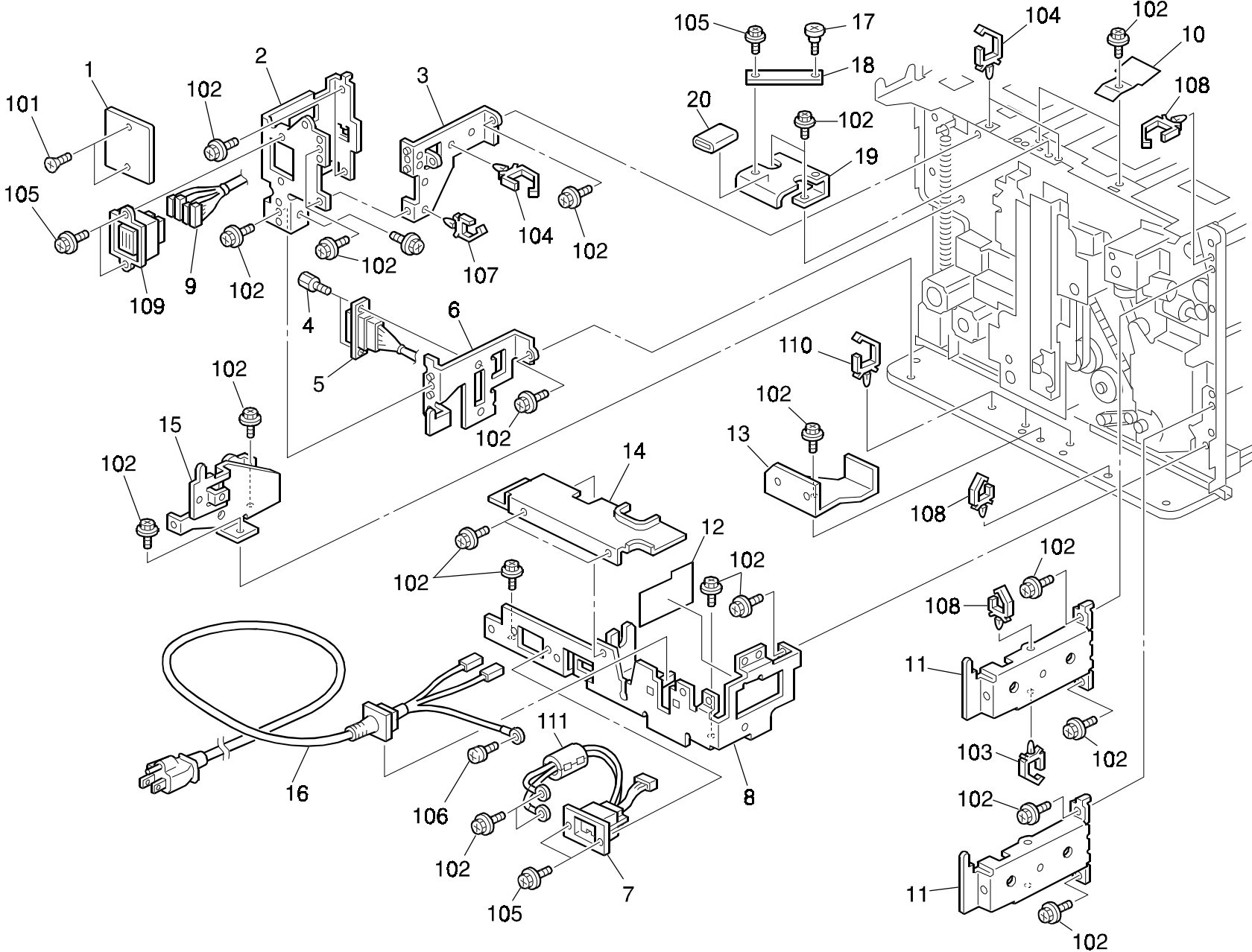
### 36.ELECTRICAL SECTION 1 (C232)

| Index No. | Part No.  | Description                      | Q'ty Per Assembly |
|-----------|-----------|----------------------------------|-------------------|
| 1         | C580 1011 | Interface Board                  | 1                 |
| 2         | C232 5618 | Upper Bracket                    | 1                 |
| 3         | AW03 0030 | Fiber Cable - 400                | 1                 |
| 4         | C232 5616 | PCB Bracket                      | 1                 |
| 5         | C229 5656 | Upper Ground Plate - PCB         | 1                 |
| 6         | C232 5101 | MPU Board                        | 1                 |
| 7         | C232 5115 | I/O Control Board                | 1                 |
| 8         | C229 5657 | Lower Grounding Plate - PCB      | 1                 |
| 9         | C232 5124 | IC - 512K X8 100NS               | 1                 |
| 10        | C232 5200 | DC Drive Harness                 | 1                 |
| 11        | C229 5621 | PSU Cover                        | 1                 |
| 12        | C232 5320 | DC Power Supply - 220V           | 1                 |
| 13        | C229 5216 | Main Switch Harness              | 1                 |
| 14        | C233 5150 | Main Motor Control Board Ass'y   | 1                 |
| 15        | C232 5203 | Relay Harness - Cassette Bank    | 1                 |
| 16        | C229 1281 | Upper Left Cover Bracket         | 1                 |
| 17        | C232 5330 | Thermal Head Power Supply - 230V | 1                 |

| Index No. | Part No.   | Description                    | Q'ty Per Assembly |
|-----------|------------|--------------------------------|-------------------|
| 101       | 0451 3006B | Tapping Screw - M3x6           |                   |
| 102       | 1105 0292  | Wire Saddle                    |                   |
| 103       | 1105 0413  | Harness Clamp                  |                   |
| 104       | 1105 0310  | Harness Clamp - LWS-1S         |                   |
| 105       | 1107 0712  | Fuse - K19374/5A               |                   |
| 106       | 1607 0622  | Ferrite Core TFC16816          |                   |
| 107       | 1105 0291  | Harness Clamp - LWS-3S         |                   |
| 108       | 1107 0884  | Fuse - 5A 250V                 |                   |
| 109       | 0801 0150  | Philips Screw - M4x8           |                   |
| 110       | 1607 0638  | Ferrite Core - TFC25-15-12     |                   |
| 111       | 0451 4006B | Tapping Screw - 4x6            |                   |
| 112       | 0313 0060B | Philips Pan Head Screw - M3x6  |                   |
| 113       | 1105 0199  | Clamp                          |                   |
| 114       | 1107 0875  | Fuse 1A 250V                   |                   |
| 115       | 1107 0652  | Fuse (Glass Case) - 10A - 125V |                   |
| 116       | 1102 6418  | Connector - PA1002             |                   |
| 117       | 1105 0292  | Wire Saddle                    |                   |



37.ELECTRICAL SECTION 2 (C232)

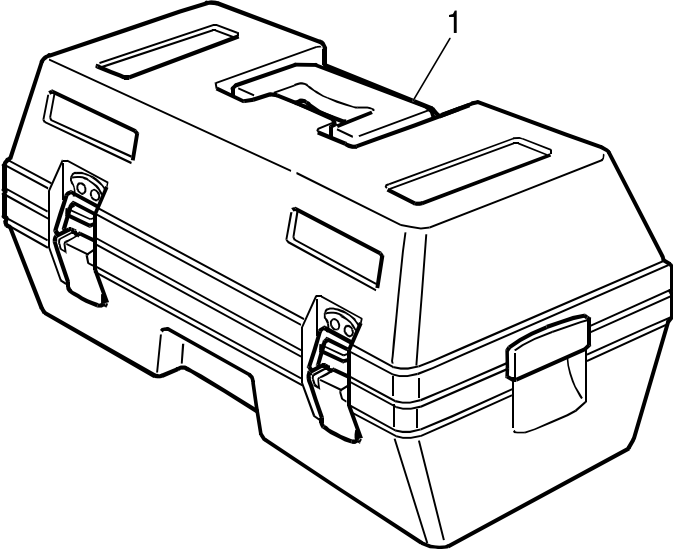


### 37.ELECTRICAL SECTION 2 (C232)

| Index No. | Part No.  | Description               | Q'ty Per Assembly |
|-----------|-----------|---------------------------|-------------------|
| 1         | C217 2455 | Key Counter Cover         | 1                 |
| 2         | C229 5624 | Key Counter Bracket       | 1                 |
| 3         | C229 5626 | Upper Bracket - MPU Board | 1                 |
| 4         | C580 1550 | Stepped Screw - M2.6      | 2                 |
| 5         | C580 1500 | Relay Harness             | 1                 |
| 6         | C229 5625 | Interface Bracket         | 1                 |
| 7         | C232 5201 | Relay Harness - Exit Unit | 1                 |
| 8         | C229 5611 | Power Supply Cord Bracket | 1                 |
| 9         | C229 5274 | ADF Relay Harness         | 1                 |
| 10        | C229 5633 | Rear Grounding Plate      | 2                 |
| 11        | C229 5615 | Power Supply Unit Bracket | 2                 |
| 12        | C232 5610 | Seal                      | 1                 |
| 13        | C232 5617 | Lower Bracket             | 1                 |
| 14        | C229 5613 | Power Supply Cord Cover   | 1                 |
| 15        | C229 5619 | Lower Bracket - MPU Board | 1                 |
| 16        | C229 5835 | Power Supply Cord - 230V  | 1                 |
| 17        | A109 4775 | Stepped Screw - M5        | 1                 |
| 18        | C218 3039 | Flat Cable Clamp          | 1                 |
| 19        | C229 5832 | Flat Cable Cover          | 1                 |
| 20        | C229 5636 | Flate Cable Bracket       | 1                 |

| Index No. | Part No.   | Description                       | Q'ty Per Assembly |
|-----------|------------|-----------------------------------|-------------------|
| 101       | 0323 0100Z | Philips Sunken Head Screw - M3x10 |                   |
| 102       | 0451 4006B | Tapping Screw - 4x6               |                   |
| 103       | 1105 0291  | Harness Clamp - LWS-3S            |                   |
| 104       | 1105 0413  | Harness Clamp                     |                   |
| 105       | 0451 3006B | Tapping Screw - M3x6              |                   |
| 106       | 0801 0150  | Philips Screw - M4x8              |                   |
| 107       | 1105 0292  | Wire Saddle                       |                   |
| 108       | 1105 0310  | Harness Clamp - LWS-1S            |                   |
| 109       | 1102 7445  | Connector - 46P                   |                   |
| 110       | 1105 0316  | Clamp                             |                   |
| 111       | 1607 1139  | Ferrite Core - RFC-8              |                   |

38.OPTION DRUM (C232)



### 38.OPTION DRUM (C232)

| Index No. | Part No.  | Description            | Q'ty Per Assembly |
|-----------|-----------|------------------------|-------------------|
| *         | C577 1251 | Decal - Drum Case      | 1                 |
| 1         | C277 1000 | Option Drum Case Ass'y | 1                 |

| Index No. | Part No. | Description | Q'ty Per Assembly |
|-----------|----------|-------------|-------------------|
|-----------|----------|-------------|-------------------|

### 39.MPU BOARD (C232)

#### CAPACITOR

| SYMBOL NO. | INDEX NO. | SYMBOL NO. | INDEX NO. | SYMBOL NO. | INDEX NO. | SYMBOL NO. | INDEX NO. | SYMBOL NO. | INDEX NO. | SYMBOL NO. | INDEX NO. | SYMBOL NO. | INDEX NO. |
|------------|-----------|------------|-----------|------------|-----------|------------|-----------|------------|-----------|------------|-----------|------------|-----------|
| C 101      | 144       | C 111      | 166       | C 121      | 145       | C 131      | 169       | C 141      | 165       | C 151      | 171       | C 161      | 167       |
| C 102      | 164       | C 112      | 166       | C 122      | 172       | C 132      | 168       | C 142      | 170       | C 152      | 171       | C 162      | 172       |
| C 103      | 169       | C 113      | 171       | C 123      | 172       | C 133      | 171       | C 143      | 144       | C 153      | 169       | C 163      | 167       |
| C 104      | 166       | C 114      | 169       | C 124      | 168       | C 134      | 168       | C 144      | 171       | C 154      | 143       | C 164      | 167       |
| C 105      | 166       | C 115      | 171       | C 125      | 169       | C 135      | ----      | C 145      | 169       | C 155      | 143       | C 165      | 167       |
| C 106      | 166       | C 116      | 169       | C 126      | 171       | C 136      | 169       | C 146      | 171       | C 156      | 167       | C 166      | 167       |
| C 107      | 166       | C 117      | 168       | C 127      | 169       | C 137      | 171       | C 147      | 169       | C 157      | 172       | C 167      | 172       |
| C 108      | 163       | C 118      | 169       | C 128      | 171       | C 138      | 171       | C 148      | 169       | C 158      | 172       | C 168      | 169       |
| C 109      | 166       | C 119      | 171       | C 129      | 171       | C 139      | 171       | C 149      | 171       | C 159      | 172       | C 169      | 167       |
| C 110      | 166       | C 120      | 145       | C 130      | 169       | C 140      | ----      | C 150      | 169       | C 160      | 167       | C 170      | 167       |

#### CAPACITOR

| SYMBOL NO. | INDEX NO. | SYMBOL NO. | INDEX NO. | SYMBOL NO. | INDEX NO. | SYMBOL NO. | INDEX NO. | SYMBOL NO. | INDEX NO. | SYMBOL NO. | INDEX NO. | SYMBOL NO. | INDEX NO. |
|------------|-----------|------------|-----------|------------|-----------|------------|-----------|------------|-----------|------------|-----------|------------|-----------|
| C 171      | 171       | C 181      | 169       | C 191      | 171       | C 201      | 169       | C 211      | 169       | C 221      | 171       | C 231      | 169       |
| C 172      | 169       | C 182      | 171       | C 192      | 168       | C 202      | 171       | C 212      | 169       | C 222      | 169       | C 232      | 171       |
| C 173      | 171       | C 183      | 171       | C 193      | 171       | C 203      | 171       | C 213      | 171       | C 223      | 171       | C 233      | 169       |
| C 174      | 169       | C 184      | 169       | C 194      | 169       | C 204      | 171       | C 214      | 169       | C 224      | 169       | C 234      | 171       |
| C 175      | 169       | C 185      | 169       | C 195      | 171       | C 205      | 171       | C 215      | 171       | C 225      | 169       | C 235      | 167       |
| C 176      | 171       | C 186      | 171       | C 196      | 169       | C 206      | 169       | C 216      | 171       | C 226      | 171       | C 236      | 171       |
| C 177      | 169       | C 187      | 171       | C 197      | ----      | C 207      | 169       | C 217      | 169       | C 227      | 171       | C 237      | 167       |
| C 178      | 167       | C 188      | 169       | C 198      | 169       | C 208      | 169       | C 218      | 169       | C 228      | 169       | C 238      | 171       |
| C 179      | 167       | C 189      | 171       | C 199      | 169       | C 209      | 169       | C 219      | 171       | C 229      | 171       | C 239      | 169       |
| C 180      | 171       | C 190      | 169       | C 200      | 171       | C 210      | 171       | C 220      | 171       | C 230      | 169       | C 240      | 167       |

## 39.MPU BOARD (C232)

### CAPACITOR

| SYMBOL NO. | INDEX NO. |
|------------|-----------|
| C 241      | 169       |
| C 242      | 171       |
| C 243      | 171       |
| C 244      | 169       |
| C 245      | 169       |
|            |           |
| C 246      | 171       |
| C 247      | 169       |
| C 248      | 171       |
| C 249      | 171       |
| C 250      | 171       |

| SYMBOL NO. | INDEX NO. |
|------------|-----------|
| C 251      | 169       |
| C 252      | 169       |
| C 253      | 169       |
| C 254      | 169       |
| C 255      | 169       |
|            |           |
| C 256      | 171       |
| C 257      | 171       |
| C 258      | 171       |
| C 259      | 172       |
| C 260      | 169       |

| SYMBOL NO. | INDEX NO. |
|------------|-----------|
| C 261      | 171       |
| C 262      | 169       |
| C 263      | 169       |
| C 264      | 171       |
| C 265      | 171       |
|            |           |
| C 266      | 169       |
| C 267      | 171       |
| C 268      | 169       |
| C 269      | ----      |
| C 270      | 169       |

| SYMBOL NO. | INDEX NO. |
|------------|-----------|
| C 271      | 169       |
| C 272      | 171       |
| C 273      | 171       |
| C 274      | 169       |
| C 275      | 171       |
|            |           |
| C 276      | 171       |
| C 277      | 169       |
| C 278      | 171       |
| C 279      | 168       |
| C 280      | 171       |

| SYMBOL NO. | INDEX NO. |
|------------|-----------|
| C 281      | 169       |
| C 282      | 169       |
| C 283      | 169       |
| C 284      | 169       |
| C 285      | 171       |
|            |           |
| C 286      | 171       |
| C 287      | 171       |
| C 288      | 171       |
| C 289      | 169       |
| C 290      | 171       |

| SYMBOL NO. | INDEX NO. |
|------------|-----------|
| C 291      | 169       |
| C 292      | 171       |
| C 293      | 176       |

### CONNECTOR

| SYMBOL NO. | INDEX NO. |
|------------|-----------|
| CN 100     | 115       |
| CN 101     | 105       |
| CN 102     | 113       |
| CN 103     | 103       |
| CN 104     | 104       |
|            |           |
| CN 105     | 111       |
| CN 106     | ----      |
| CN 107     | ----      |
| CN 108     | 107       |
| CN 109     | ----      |

### CONNECTOR

| SYMBOL NO. | INDEX NO. |
|------------|-----------|
| CN 110     | 110       |
| CN 112     | 108       |
| CN 113     | 106       |
| CN 114     | 109       |
| CN 115     | 106       |
|            |           |
| CN 130     | 102       |
| CN 131     | 6         |
| CN 132     | 108       |
| CN 141     | 112       |
| CN 142     | 114       |

### FIB

| SYMBOL NO. | INDEX NO. |
|------------|-----------|
| FIB 101    | 146       |
| FIB 102    | ---       |
| FIB 103    | 147       |
| FIB 104    | 147       |
| FIB 105    | 148       |

### IC

| SYMBOL NO. | INDEX NO. |
|------------|-----------|
| IC 101     | 137       |
| IC 102     | 130       |
| IC 103     | 130       |
| IC 104     | 2         |
| IC 105     | 5         |
|            |           |
| IC 106     | 3         |
| IC 107     | 175       |
| IC 108     | 133       |
| IC 109     | 130       |
| IC 110     | 173       |

| SYMBOL NO. | INDEX NO. |
|------------|-----------|
| IC 111     | 173       |
| IC 112     | 4         |
| IC 113     | 132       |
| IC 114     | 1         |
| IC 115     | 136       |
| IC 116     | 135       |
| IC 117     | 131       |
| (Socket)   | 116       |
| IC 118     | 174       |
| IC 119     | 134       |
| IC 120     | 134       |

| SYMBOL NO. | INDEX NO. |
|------------|-----------|
| IC 121     | 129       |
| IC 122     | 127       |
| IC 123     | 127       |
| IC 124     | 128       |
| IC 125     | 128       |
|            |           |
| IC 126     | 119       |
| IC 127     | 128       |
| IC 128     | 128       |
| IC 129     | 128       |
| IC 130     | 128       |

| SYMBOL NO. | INDEX NO. |
|------------|-----------|
| IC 131     | 124       |
| IC 132     | 124       |
| IC 133     | 126       |
| IC 134     | 123       |
| IC 135     | 128       |
|            |           |
| IC 136     | 120       |
| IC 137     | 125       |
| IC 138     | 122       |
| IC 139     | 121       |

### LED

| SYMBOL NO. | INDEX NO. |
|------------|-----------|
| LED 101    | 118       |

### 39.MPU BOARD (C232)

#### OSC

| SYMBOL NO. | INDEX NO. |
|------------|-----------|
| OSC 101    | 139       |
| OSC 102    | 138       |

#### Q

| SYMBOL NO. | INDEX NO. |
|------------|-----------|
| Q 101      | 117       |

#### RESISTOR

| SYMBOL NO. | INDEX NO. |
|------------|-----------|
| R 101      | 156       |
| R 102      | 156       |
| R 103      | 156       |
| R 104      | 153       |
| R 105      | 153       |
| R 106      | 154       |
| R 107      | 151       |
| R 108      | 153       |
| R 109      | 156       |
| R 110      | 156       |

| SYMBOL NO. | INDEX NO. |
|------------|-----------|
| R 111      | 156       |
| R 112      | 156       |
| R 113      | 156       |
| R 114      | 149       |
| R 115      | 156       |
| R 116      | 160       |
| R 117      | ----      |
| R 118      | 149       |
| R 119      | ----      |
| R 120      | ----      |

| SYMBOL NO. | INDEX NO. |
|------------|-----------|
| R 121      | 154       |
| R 122      | ----      |
| R 123      | ----      |
| R 124      | 151       |
| R 125      | 153       |
| R 126      | 153       |
| R 127      | 153       |
| R 128      | 157       |
| R 129      | 153       |
| R 130      | 158       |

| SYMBOL NO. | INDEX NO. |
|------------|-----------|
| R 131      | 155       |
| R 132      | 158       |
| R 133      | 158       |
| R 134      | 156       |
| R 135      | 158       |
| R 136      | 156       |
| R 137      | 153       |
| R 138      | 152       |
| R 139      | 152       |
| R 140      | 156       |

| SYMBOL NO. | INDEX NO. |
|------------|-----------|
| R 141      | 152       |
| R 142      | 152       |
| R 143      | 156       |
| R 144      | 156       |
| R 145      | 152       |
| R 146      | 152       |
| R 147      | 153       |
| R 148      | 152       |
| R 149      | 152       |
| R 150      | 152       |

#### RESISTOR

| SYMBOL NO. | INDEX NO. |
|------------|-----------|
| R 151      | 156       |
| R 152      | 152       |
| R 153      | 156       |
| R 154      | 156       |
| R 155      | 156       |
| R 156      | 153       |
| R 157      | 156       |
| R 158      | 156       |
| R 159      | 156       |
| R 160      | 156       |

| SYMBOL NO. | INDEX NO. |
|------------|-----------|
| R 161      | 156       |
| R 162      | 158       |
| R 163      | 158       |
| R 164      | 156       |
| R 165      | 156       |
| R 166      | 156       |
| R 167      | 158       |
| R 168      | 156       |
| R 169      | 153       |
| R 170      | 152       |

| SYMBOL NO. | INDEX NO. |
|------------|-----------|
| R 171      | 158       |
| R 172      | 153       |
| R 173      | 159       |
| R 174      | 156       |
| R 175      | 153       |
| R 176      | 153       |
| R 177      | 153       |
| R 178      | 153       |
| R 179      | 156       |
| R 180      | ----      |

| SYMBOL NO. | INDEX NO. |
|------------|-----------|
| R 181      | 151       |
| R 182      | 151       |
| R 183      | 153       |
| R 184      | 152       |
| R 185      | 153       |
| R 186      | 153       |
| R 187      | 152       |
| R 188      | ----      |
| R 189      | 153       |
| R 190      | 153       |

| SYMBOL NO. | INDEX NO. |
|------------|-----------|
| R 191      | 156       |
| R 192      | 153       |
| R 193      | 156       |
| R 194      | 161       |
| R 195      | 156       |
| R 196      | 162       |
| R 197      | 150       |
| R 198      | 153       |
| R 199      | 153       |
| R 200      | ----      |

| SYMBOL NO. | INDEX NO. |
|------------|-----------|
| R 201      | ----      |
| R 202      | 153       |
| R 203      | 153       |
| R 204      | 153       |
| R 205      | 153       |
| R 206      | 153       |
| R 207      | 153       |
| R 208      | 153       |
| R 209      | 153       |
| R 210      | 153       |

| SYMBOL NO. | INDEX NO. |
|------------|-----------|
| R 250      | 153       |
| R 251      | 153       |
| R 252      | 153       |
| R 253      | 153       |
| R 254      | 153       |
| R 255      | 153       |
| R 256      | 153       |
| R 257      | 152       |
| R 258      | 152       |

**RAY**

| SYMBOL NO. | INDEX NO. |
|------------|-----------|
| RAY 101    | 140       |
| RAY 102    | 140       |
| RAY 103    | 142       |
| RAY 104    | 142       |
| RAY 105    | 140       |
| RAY 106    | 140       |
| RAY 107    | 140       |
| RAY 108    | 140       |
| RAY 109    | 140       |
| RAY 110    | 140       |

| SYMBOL NO. | INDEX NO. |
|------------|-----------|
| RAY 111    | 141       |
| RAY 112    | 141       |
| RAY 113    | 140       |
| RAY 114    | 141       |
| RAY 115    | 140       |
| RAY 116    | 140       |
| RAY 117    | 141       |
| RAY 118    | 141       |
| RAY 119    | 141       |
| RAY 120    | 141       |

| SYMBOL NO. | INDEX NO. |
|------------|-----------|
| RAY 121    | 141       |
| RAY 122    | 140       |
| RAY 123    | 140       |
| RAY 124    | 140       |
| RAY 125    | 141       |
| RAY 126    | 142       |
| RAY 127    | 142       |
| RAY 128    | 141       |
| RAY 129    | 141       |
| RAY 130    | 141       |

| SYMBOL NO. | INDEX NO. |
|------------|-----------|
| RAY 131    | 141       |
| RAY 132    | 141       |
| RAY 133    | 141       |
| RAY 134    | 141       |
| RAY 135    | 141       |
| RAY 136    | 141       |
| RAY 137    | 141       |
| RAY 138    | 141       |
| RAY 139    | 140       |
| RAY 140    | 140       |

| SYMBOL NO. | INDEX NO. |
|------------|-----------|
| RAY 141    | 140       |
| RAY 142    | 140       |
| RAY 143    | 141       |
| RAY 144    | 140       |
| RAY 145    | 140       |
| RAY 146    | 140       |
| RAY 147    | 141       |
| RAY 148    | 140       |
| RAY 149    | 141       |
| RAY 150    | 140       |

| SYMBOL NO. | INDEX NO. |
|------------|-----------|
| RAY 151    | 141       |
| RAY 152    | 141       |
| RAY 153    | 141       |
| RAY 154    | 141       |
| RAY 155    | 141       |
| RAY 156    | 140       |
| RAY 157    | 140       |
| RAY 158    | 140       |
| RAY 159    | 140       |
| RAY 160    | 140       |

| SYMBOL NO. | INDEX NO. |
|------------|-----------|
| RAY 161    | 140       |
| RAY 162    | 140       |
| RAY 163    | 140       |
| RAY 164    | 140       |
| RAY 165    | 140       |
| RAY 166    | 140       |
| RAY 167    | 140       |
| RAY 168    | 140       |
| RAY 169    | 140       |
| RAY 170    | 140       |

**RAY**

| SYMBOL NO. | INDEX NO. |
|------------|-----------|
| RAY 171    | 140       |
| RAY 172    | 140       |
| RAY 173    | 140       |
| RAY 174    | 140       |
| RAY 175    | 140       |
| RAY 176    | 140       |
| RAY 177    | 140       |
| RAY 178    | 140       |
| RAY 179    | 140       |
| RAY 180    | 140       |

| SYMBOL NO. | INDEX NO. |
|------------|-----------|
| RAY 181    | 140       |
| RAY 182    | 140       |
| RAY 183    | 140       |
| RAY 184    | 140       |
| RAY 185    | 140       |

**TP**

| SYMBOL NO. | INDEX NO. |
|------------|-----------|
| TP 112     | 101       |
| TP 113     | 101       |



### 39.MPU BOARD (C232)

| Index No. | Part No.  | Description             | Q'ty Per Assembly |
|-----------|-----------|-------------------------|-------------------|
| *         | C232 5101 | MPU Board               | 1                 |
| 1         | A193 5520 | IC - GAPD               | 1                 |
| 2         | A193 5550 | IC - ADIPU M66359FP     | 1                 |
| 3         | C228 8030 | IC - THERMAL HEAD DRIVE | 1                 |
| 4         | C229 5351 | IC - UPD65640GF         | 1                 |
| 5         | C229 5353 | IC - TC160G33AF-1470    | 1                 |
| 6         | C232 5351 | IC Card Connector - 68P | 1                 |

| Index No. | Part No.  | Description                   | Q'ty Per Assembly |
|-----------|-----------|-------------------------------|-------------------|
| 101       | 1100 1474 | Test Pin                      |                   |
| 102       | 1102 4203 | CT Header - 4P                |                   |
| 103       | 1102 4208 | Connector - 9P                |                   |
| 104       | 1102 4212 | CT Header - 15P               |                   |
| 105       | 1102 4471 | CT Header(h) - 15P            |                   |
| 106       | 1102 5410 | Connector - 22P               |                   |
| 107       | 1102 5411 | Connector - 24P               |                   |
| 108       | 1102 5413 | Connector - 28P               |                   |
| 109       | 1102 5414 | Connector - 30P               |                   |
| 110       | 1102 5418 | Connector - 26P               |                   |
| 111       | 1102 6662 | Connector - 4P                |                   |
| 112       | 1102 7389 | Connector - FH12-50S-0.5SV    |                   |
| 113       | 1102 7455 | Connector FX6-60S-0.8SV2      |                   |
| 114       | 1102 7880 | Connector - FX6-100P-0.8SV2   |                   |
| 115       | 1102 8086 | Connector - FX2-120S-1.27SVL  |                   |
| 116       | 1104 0588 | Dip Socket - 28P              |                   |
| 117       | 1400 0392 | Transistor - DTC114EK         |                   |
| 118       | 1403 0828 | Diode - SEC1901C              |                   |
| 119       | 1407 1600 | TTLIC - SN74LS244NS           |                   |
| 120       | 1407 2052 | TTLIC - SN74LS74ANS           |                   |
| 121       | 1407 2127 | TTL - IC74F00SJ               |                   |
| 122       | 1407 2130 | TTLIC - 74F08SJ               |                   |
| 123       | 1407 2134 | TTLIC - 74F32SJ               |                   |
| 124       | 1407 2137 | IC - 74F138SJ                 |                   |
| 125       | 1407 2187 | TTLIC - SN74LS07NS            |                   |
| 126       | 1407 2561 | TTLIC - 74F157ASJ             |                   |
| 127       | 1407 3306 | IC - TC74HC244AF              |                   |
| 128       | 1407 4323 | TTL - TD74ABT244F             |                   |
| 129       | 1407 4565 | IC - TE6251                   |                   |
| 130       | 1407 4671 | Fifo M66256FP                 |                   |
| 131       | 1407 4696 | IC - M48T58Y-70PC1            |                   |
| 132       | 1407 4724 | CPU HD6413003TF-16            |                   |
| 133       | 1407 4734 | IC - M66257FP                 |                   |
| 134       | 1407 4743 | Flash Memory - LH28F016SUT-70 |                   |
| 135       | 1407 4746 | TTLIC - TD74ABT245AF          |                   |

| Index No. | Part No.  | Description                              | Q'ty Per Assembly |
|-----------|-----------|--|-------------------|
| 136       | 1408 0575 | IC - M51957BFP                           |                   |
| 137       | 1408 1226 | Regulator - 3.3V-PQ3TZ53                 |                   |
| 138       | 1503 0820 | Oscilator - 29.4912MHz                   |                   |
| 139       | 1503 0821 | Oscilator 30MHz                          |                   |
| 140       | 1601 7801 | Resistor Array - 10K $\Omega$ ?5% 1/16W  |                   |
| 141       | 1601 7805 | Resistor Array - 33 $\Omega$ ?5% 1/16W   |                   |
| 142       | 1601 7807 | Resistor Array - 3.3K $\Omega$ ?5% 1/16W |                   |
| 143       | 1604 4333 | Capacitor - 100 $\mu$ F?20% 10V          |                   |
| 144       | 1605 0577 | Capacitor - 0.33 $\mu$ F+80-20%          |                   |
| 145       | 1606 1137 | Capacitor - 5pF ?20%                     |                   |
| 146       | 1607 0732 | Noise Filter - AEF321825-470             |                   |
| 147       | 1607 0906 | Emifilterer ACF321825-101                |                   |
| 148       | 1607 1123 | Filter - BLM11B471SBPB                   |                   |
| 149       | 1630 2100 | Resistor - 10 $\Omega$ 1/8W ?5%          |                   |
| 150       | 1630 3471 | Resistor - 470 $\Omega$ - 1/10W          |                   |
| 151       | 1630 4101 | Resistor - 100 $\Omega$ ?5% 1/16W        |                   |
| 152       | 1630 4102 | Resistor - 1.0K $\Omega$ ?5% 1/16W       |                   |
| 153       | 1630 4103 | Resistor - 10K $\Omega$ ?5% 1/16W        |                   |
| 154       | 1630 4105 | Resistor - 1.0M $\Omega$ ?5% 1/16W       |                   |
| 155       | 1630 4303 | Resistor - 30K $\Omega$ ?5% 1/16W        |                   |
| 156       | 1630 4330 | Resistor - 33 $\Omega$ ?5% 1/8W          |                   |
| 157       | 1630 4332 | Resistor - 3.3K $\Omega$ ?5% 1/16W       |                   |
| 158       | 1630 4471 | Resistor - 470 $\Omega$ ?5% 1/16W        |                   |
| 159       | 1630 4821 | Resistor - 820 $\Omega$ ?5% 1/16W        |                   |
| 160       | 1633 0000 | Resistor - 0 $\Omega$ 1/10W              |                   |
| 161       | 1633 1002 | Resistor - 10K $\Omega$ ?1% 1/10W        |                   |
| 162       | 1633 3741 | Resistor - 3.7K $\Omega$ ?5% 1/10W       |                   |
| 163       | 1644 5109 | Capacitor - 1 $\mu$ F?20% 25V            |                   |
| 164       | 1644 6220 | Capacitor 22 $\mu$ F?20% 6.3V            |                   |
| 165       | 1660 1100 | Capacitor - 10pF 50V                     |                   |
| 166       | 1660 2101 | Capacitor - 100pF - ?10% - 50V           |                   |
| 167       | 1660 2151 | Capacitor - 150pF ?20% 35V               |                   |
| 168       | 1660 2470 | Capacitor - 47pF ?5% 50V                 |                   |
| 169       | 1660 2471 | Capacitor - 470pF - ?5% - 50V            |                   |

| Index No. | Part No.  | Description                        | Q'ty Per Assembly |
|-----------|-----------|------------------------------------|-------------------|
| 170       | 1660 3150 | Capacitor - 15pF 50V               |                   |
| 171       | 1660 4103 | Capacitor - 10000pF - ?10% - 50V   |                   |
| 172       | 1660 8104 | Capacitor - 0.1 $\mu$ F+80-20% 25V |                   |
| 173       | 1902 0040 | SRAM 256KX8 70NS G9                |                   |
| 174       | 1902 0041 | IC - 1M X8 70NS G10                |                   |
| 175       | 1904 0013 | SRAM - 256K X8 20NS G2             |                   |
| 176       | 1660 2151 | Capacitor - 150pF ?20% 35V         |                   |

## 40.I/O BOARD (C232)

### CAPACITOR

| SYMBOL NO. | INDEX NO. | SYMBOL NO. | INDEX NO. | SYMBOL NO. | INDEX NO. | SYMBOL NO. | INDEX NO. | SYMBOL NO. | INDEX NO. | SYMBOL NO. | INDEX NO. |       |     |
|------------|-----------|------------|-----------|------------|-----------|------------|-----------|------------|-----------|------------|-----------|-------|-----|
| C 300      | 194       | C 310      | 200       | C 320      | 201       | C 330      | 200       | C 340      | 162       | C 350      | 200       | C 360 | 199 |
| C 301      | 194       | C 311      | 195       | C 321      | 200       | C 331      | 197       | C 341      | 199       | C 351      | 161       | C 361 | 201 |
| C 302      | 194       | C 312      | 200       | C 322      | 199       | C 332      | 202       | C 342      | 202       | C 352      | 161       | C 362 | 200 |
| C 303      | 194       | C 313      | 195       | C 323      | 200       | C 333      | 160       | C 343      | 162       | C 353      | 162       | C 363 | 200 |
| C 304      | 196       | C 314      | 195       | C 324      | 200       | C 334      | 199       | C 344      | 162       | C 354      | 162       | C 364 | 200 |
| C 305      | 200       | C 315      | 159       | C 325      | 199       | C 335      | 197       | C 345      | 161       | C 355      | 200       | C 365 | 200 |
| C 306      | 199       | C 316      | 197       | C 326      | 197       | C 336      | 200       | C 346      | 161       | C 356      | 200       | C 366 | 201 |
| C 307      | 199       | C 317      | 200       | C 327      | 199       | C 337      | 200       | C 347      | 202       | C 357      | 200       | C 367 | 201 |
| C 308      | 199       | C 318      | 199       | C 328      | 199       | C 338      | 199       | C 348      | 199       | C 358      | 200       | C 368 | 200 |
| C 309      | 200       | C 319      | 200       | C 329      | 200       | C 339      | 161       | C 349      | 199       | C 359      | 200       | C 369 | 200 |

### CAPACITOR

| SYMBOL NO. | INDEX NO. | SYMBOL NO. | INDEX NO. | SYMBOL NO. | INDEX NO. | SYMBOL NO. | INDEX NO. |
|------------|-----------|------------|-----------|------------|-----------|------------|-----------|
| C 370      | 199       | C 380      | 201       | C 390      | 201       | C 400      | 200       |
| C 371      | 199       | C 381      | 201       | C 391      | 201       | C 401      | 200       |
| C 372      | 199       | C 382      | 199       | C 392      | 201       | C 402      | 199       |
| C 373      | 201       | C 383      | 200       | C 393      | 199       | C 403      | 200       |
| C 374      | 200       | C 384      | 201       | C 394      | 200       | C 404      | 200       |
| C 375      | 200       | C 385      | 201       | C 395      | 199       | C 405      | 200       |
| C 376      | 200       | C 386      | 198       | C 396      | 199       | C 406      | 199       |
| C 377      | 199       | C 387      | 199       | C 397      | 200       | C 407      | 200       |
| C 378      | 199       | C 388      | 200       | C 398      | 200       | C 408      | 199       |
| C 379      | 200       | C 389      | 198       | C 399      | 199       | C 409      | 200       |

### CONNECTOR

| SYMBOL NO. | INDEX NO. | SYMBOL NO. | INDEX NO. |
|------------|-----------|------------|-----------|
| C 410      | 199       | CN 200     | 123       |
| C 411      | 200       | CN 201     | 120       |
| C 412      | 199       | CN 202     | 121       |
|            |           | CN 203     | 102       |
|            |           | CN 204     | 104       |
|            |           | CN 205     | 105       |
|            |           | CN 206     | 107       |
|            |           | CN 207     | 119       |
|            |           | CN 208     | 113       |
|            |           | CN 209     | 111       |
|            |           | CN 210     | 111       |
|            |           | CN 211     | 114       |
|            |           | CN 212     | 118       |
|            |           | CN 213     | 116       |
|            |           | CN 214     | ---       |
|            |           | CN 215     | 106       |
|            |           | CN 216     | 117       |
|            |           | CN 217     | ---       |
|            |           | CN 218     | 103       |
|            |           | CN 219     | 110       |

## 40.I/O BOARD (C232)

### CONNECTOR

| SYMBOL NO. | INDEX NO. |
|------------|-----------|
| CN 220     | 122       |
| CN 221     | 112       |
| CN 222     | 112       |
| CN 223     | 108       |
| CN 224     | 115       |
| CN 225     | 109       |

### DIODE

| SYMBOL NO. | INDEX NO. |
|------------|-----------|
| D 300      | 131       |
| D 301      | 131       |
| D 302      | 131       |
| D 303      | 131       |
| D 304      | 129       |
| D 305      | 129       |
| D 306      | 129       |
| D 307      | 129       |
| D 308      | 129       |

### FIB

| SYMBOL NO. | INDEX NO. |
|------------|-----------|
| FIB 300    | 157       |
| FIB 301    | 157       |
| FIB 302    | 157       |
| FIB 303    | 158       |
| FIB 304    | 158       |
| FIB 305    | 158       |
| FIB 306    | 158       |
| FIB 307    | 158       |
| FIB 308    | 158       |
| FIB 309    | 158       |

### IC

| SYMBOL NO. | INDEX NO. |
|------------|-----------|
| IC 300     | 150       |
| IC 301     | 139       |
| IC 302     | 151       |
| IC 303     | 151       |
| IC 304     | 148       |
| IC 305     | 139       |
| IC 306     | 139       |
| IC 307     | 134       |
| IC 308     | 138       |
| IC 309     | 135       |

| SYMBOL NO. | INDEX NO. |
|------------|-----------|
| IC 310     | 149       |
| IC 311     | 149       |
| IC 312     | 144       |
| IC 313     | 149       |
| IC 314     | 149       |
| IC 315     | 146       |
| IC 316     | 149       |
| IC 317     | 149       |
| IC 318     | 149       |
| IC 319     | 145       |

| SYMBOL NO. | INDEX NO. |
|------------|-----------|
| IC 320     | 143       |
| IC 321     | 147       |
| IC 322     | 124       |
| IC 323     | 141       |
| IC 324     | 135       |
| IC 325     | 135       |
| IC 326     | 138       |
| IC 327     | 143       |
| IC 328     | 142       |
| IC 329     | 138       |

### IC

| SYMBOL NO. | INDEX NO. |
|------------|-----------|
| IC 330     | 138       |
| IC 331     | 137       |
| IC 332     | 140       |
| IC 333     | 140       |
| IC 334     | 136       |
| IC 335     | 143       |
| IC 336     | 143       |
| IC 337     | 138       |
| IC 338     | 137       |

### LED

| SYMBOL NO. | INDEX NO. |
|------------|-----------|
| LED 300    | 133       |
| LED 301    | 133       |
| LED 302    | 133       |
| LED 303    | 133       |
| LED 304    | 133       |

### OSC

| SYMBOL NO. | INDEX NO. |
|------------|-----------|
| OSC 300    | 152       |

### Q

| SYMBOL NO. | INDEX NO. |
|------------|-----------|
| Q 300      | 127       |
| Q 301      | 128       |
| Q 302      | 126       |
| Q 303      | 130       |
| Q 304      | 125       |

### RESISTOR

| SYMBOL NO. | INDEX NO. |
|------------|-----------|
| R 300      | 174       |
| R 301      | 165       |
| R 302      | 165       |
| R 303      | 165       |
| R 304      | 165       |
| R 305      | 165       |
| R 306      | 165       |
| R 307      | 165       |
| R 308      | 174       |
| R 309      | 165       |

| SYMBOL NO. | INDEX NO. |
|------------|-----------|
| R 310      | 174       |
| R 311      | 180       |
| R 312      | 179       |
| R 313      | 187       |
| R 314      | 189       |
| R 315      | 174       |
| R 316      | 174       |
| R 317      | 174       |
| R 318      | 174       |
| R 319      | 174       |

| SYMBOL NO. | INDEX NO. |
|------------|-----------|
| R 320      | 170       |
| R 321      | 171       |
| R 322      | 170       |
| R 323      | 170       |
| R 324      | 171       |
| R 325      | 171       |
| R 326      | 163       |
| R 327      | 163       |
| R 328      | 163       |
| R 329      | 171       |

## 40.I/O BOARD (C232)

### RESISTOR

| SYMBOL NO. | INDEX NO. |
|------------|-----------|
| R 330      | 171       |
| R 331      | 174       |
| R 332      | 174       |
| R 333      | 163       |
| R 334      | 174       |
| R 335      | 163       |
| R 336      | 174       |
| R 337      | 170       |
| R 338      | 170       |
| R 339      | 163       |

| SYMBOL NO. | INDEX NO. |
|------------|-----------|
| R 340      | 174       |
| R 341      | 174       |
| R 342      | 174       |
| R 343      | 174       |
| R 344      | 174       |
| R 345      | 185       |
| R 346      | ----      |
| R 347      | 174       |
| R 348      | 180       |
| R 349      | 190       |

| SYMBOL NO. | INDEX NO. |
|------------|-----------|
| R 350      | ----      |
| R 351      | 182       |
| R 352      | 173       |
| R 353      | 177       |
| R 354      | 176       |
| R 355      | 192       |
| R 356      | 193       |
| R 357      | 192       |
| R 358      | 191       |
| R 359      | ----      |

| SYMBOL NO. | INDEX NO. |
|------------|-----------|
| R 360      | ----      |
| R 361      | 188       |
| R 362      | 188       |
| R 363      | 186       |
| R 364      | 186       |
| R 365      | 174       |
| R 366      | 174       |
| R 367      | 183       |
| R 368      | 183       |
| R 369      | 183       |

| SYMBOL NO. | INDEX NO. |
|------------|-----------|
| R 370      | 183       |
| R 371      | 183       |
| R 372      | 174       |
| R 373      | 181       |
| R 374      | 174       |
| R 375      | 174       |
| R 376      | 174       |
| R 377      | 174       |
| R 378      | 174       |
| R 379      | 175       |

| SYMBOL NO. | INDEX NO. |
|------------|-----------|
| R 380      | 184       |
| R 381      | 174       |
| R 382      | ----      |
| R 383      | 174       |
| R 384      | 184       |
| R 385      | 174       |
| R 386      | 172       |
| R 387      | 167       |
| R 388      | 169       |
| R 389      | 169       |

| SYMBOL NO. | INDEX NO. |
|------------|-----------|
| R 390      | 172       |
| R 391      | 172       |
| R 392      | 167       |
| R 393      | 167       |
| R 394      | 173       |
| R 395      | 169       |
| R 396      | 169       |
| R 397      | 169       |
| R 398      | 169       |
| R 399      | 169       |

### RESISTOR

| SYMBOL NO. | INDEX NO. |
|------------|-----------|
| R 400      | 169       |
| R 401      | 164       |
| R 402      | 169       |
| R 403      | 169       |
| R 404      | 172       |
| R 405      | 172       |
| R 406      | 167       |
| R 407      | 167       |
| R 408      | 173       |
| R 409      | 173       |

| SYMBOL NO. | INDEX NO. |
|------------|-----------|
| R 410      | 174       |
| R 411      | 174       |
| R 412      | 164       |
| R 413      | 174       |
| R 414      | 174       |
| R 415      | 174       |
| R 416      | ----      |
| R 417      | 174       |
| R 418      | 174       |
| R 419      | 174       |

| SYMBOL NO. | INDEX NO. |
|------------|-----------|
| R 420      | 174       |
| R 421      | 184       |
| R 422      | 174       |
| R 423      | 174       |
| R 424      | 174       |
| R 425      | 174       |
| R 426      | ----      |
| R 427      | 174       |
| R 428      | 174       |
| R 429      | 174       |

| SYMBOL NO. | INDEX NO. |
|------------|-----------|
| R 430      | 184       |
| R 431      | 184       |
| R 432      | 184       |
| R 433      | ----      |
| R 434      | 184       |
| R 435      | 184       |
| R 436      | 184       |
| R 437      | 178       |
| R 438      | 173       |
| R 439      | 174       |

| SYMBOL NO. | INDEX NO. |
|------------|-----------|
| R 440      | 168       |
| R 441      | 168       |
| R 442      | 174       |
| R 443      | 174       |
| R 444      | 174       |

### RAY

| SYMBOL NO. | INDEX NO. |
|------------|-----------|
| RAY 304    | 153       |
| RAY 305    | 153       |
| RAY 306    | 154       |
| RAY 307    | 154       |
| RAY 308    | 154       |
| RAY 309    | 154       |
| RAY 310    | 154       |
| RAY 311    | 154       |

### TP

| SYMBOL NO. | INDEX NO. |
|------------|-----------|
| TP 302     | 101       |
| TP 303     | 101       |
| TP 307     | 101       |
| TP 308     | 101       |
| TP 309     | 101       |
| TP 310     | 101       |
| TP 311     | 101       |
| TP 312     | 101       |
| TP 313     | 101       |
| TP 314     | 101       |
| TP 315     | 101       |

**VR**

| SYMBOL NO. | INDEX NO. |
|------------|-----------|
| VR 303     | 155       |
| VR 304     | 155       |
| VR 305     | 155       |
| VR 306     | 155       |
| VR 307     | 155       |

**ZD**

| SYMBOL NO. | INDEX NO. |
|------------|-----------|
| ZD 300     | 132       |

## 40.I/O BOARD (C232)

| Index No. | Part No.  | Description        | Q'ty Per Assembly |
|-----------|-----------|--------------------|-------------------|
| *         | C232 5115 | I/O Control Board  | 1                 |
| 1         | C232 5124 | IC - 512K X8 100NS | 1                 |
| 101       | 1100 1474 | Test Pin           |                   |

| Index No. | Part No.  | Description                      | Q'ty Per Assembly |
|-----------|-----------|----------------------------------|-------------------|
| 102       | 1102 3822 | Connector - 20P                  |                   |
| 103       | 1102 4202 | Connector - 3P                   |                   |
| 104       | 1102 4203 | CT Header - 4P                   |                   |
| 105       | 1102 4204 | CT Header - 5P                   |                   |
| 106       | 1102 4205 | CT Header- 6P                    |                   |
| 107       | 1102 4207 | Connector - 8P                   |                   |
| 108       | 1102 4209 | CT Header - 10P                  |                   |
| 109       | 1102 4210 | Connector - 11P                  |                   |
| 110       | 1102 4212 | CT Header - 15P                  |                   |
| 111       | 1102 4684 | Connector - 5566-06R-210         |                   |
| 112       | 1102 5003 | Fiber Connector - DC1002 - 2P    |                   |
| 113       | 1102 5305 | Connector - 6P                   |                   |
| 114       | 1102 5410 | Connector - 22P                  |                   |
| 115       | 1102 5411 | Connector - 24P                  |                   |
| 116       | 1102 5413 | Connector - 28P                  |                   |
| 117       | 1102 5414 | Connector - 30P                  |                   |
| 118       | 1102 6305 | Connector - 12P                  |                   |
| 119       | 1102 6396 | Connector - 1P                   |                   |
| 120       | 1102 6594 | Connector - 10P                  |                   |
| 121       | 1102 6595 | Connector - 11P                  |                   |
| 122       | 1102 7036 | Connector - 30P                  |                   |
| 123       | 1102 8085 | Connector - FX2CA2-120P-1.27DSAL |                   |
| 124       | 1104 0588 | Dip Socket - 28P                 |                   |
| 125       | 1400 0455 | Transistor - 2SC2873Y            |                   |
| 126       | 1400 0649 | Transistor - DTC143TK            |                   |
| 127       | 1400 0720 | Transistor - DTC143ZSA           |                   |
| 128       | 1400 0785 | Transistor - DTD113ZK            |                   |
| 129       | 1401 0835 | Diode - 1SS190                   |                   |
| 130       | 1401 1051 | Transistor - 2SJ374              |                   |
| 131       | 1402 0780 | Diode - 200V - 1A - 11ES2        |                   |
| 132       | 1402 1206 | Zener Diode                      |                   |
| 133       | 1403 0829 | Diode - SEC1201C                 |                   |
| 134       | 1407 1535 | IC - TD62308AP                   |                   |
| 135       | 1407 1600 | TTLIC - SN74LS244NS              |                   |
| 136       | 1407 1605 | TTLIC - SN74LS157NS              |                   |

| Index No. | Part No.  | Description                             | Q'ty Per Assembly |
|-----------|-----------|---|-------------------|
| 137       | 1407 1746 | TTL - SN74LS240NS                       |                   |
| 138       | 1407 2187 | TTLIC - SN74LS07NS                      |                   |
| 139       | 1407 2219 | IC - TD62003AP                          |                   |
| 140       | 1407 2247 | TTL - SN74LS164NS                       |                   |
| 141       | 1407 2261 | IC - NJM2902M                           |                   |
| 142       | 1407 3285 | IC - TC74HC08AF                         |                   |
| 143       | 1407 3306 | IC - TC74HC244AF                        |                   |
| 144       | 1407 4315 | IC - TE7751                             |                   |
| 145       | 1407 4724 | CPU HD6413003TF-16                      |                   |
| 146       | 1408 0575 | IC - M51957BFP                          |                   |
| 147       | 1408 0595 | IC - NJM2904M                           |                   |
| 148       | 1408 0827 | IC - TA8429H                            |                   |
| 149       | 1408 1204 | IC - TA8083P                            |                   |
| 150       | 1408 1225 | IC - STK672-040                         |                   |
| 151       | 1408 1410 | IC - STK672-120                         |                   |
| 152       | 1503 0849 | Crystal Oscilator - 14.7456MHz          |                   |
| 153       | 1601 7801 | Resistor Array - 10K $\Omega$ ?5% 1/16W |                   |
| 154       | 1601 7805 | Resistor Array - 33 $\Omega$ ?5% 1/16W  |                   |
| 155       | 1601 8186 | Variable Resistor - 200K $\Omega$       |                   |
| 156       | 1601 8371 | Resistor 2k $\Omega$ 1/2W               |                   |
| 157       | 1602 0987 | Capacitor & Coil - 270pF 100V           |                   |
| 158       | 1602 7011 | Capacitor - 270pF ?20% 50V              |                   |
| 159       | 1604 4333 | Capacitor - 100 $\mu$ F?20% 10V         |                   |
| 160       | 1605 0850 | Capacitor                               |                   |
| 161       | 1606 1985 | Capacitor - 0.033 $\mu$ F?5% 50V        |                   |
| 162       | 1606 1986 | Capacitor - 0.1 $\mu$ F?5% 16V          |                   |
| 163       | 1610 1234 | Resistor - 47 $\Omega$ 1W ?5%           |                   |
| 164       | 1630 1121 | Resistor - 120 $\Omega$ ?5% 1/8W        |                   |
| 165       | 1630 2221 | Resistor - 220 $\Omega$                 |                   |
| 166       | 1630 3100 | Resistor - 10 $\Omega$ ?5% 1/10W        |                   |
| 167       | 1630 3151 | Resistor - 150 $\Omega$ ?5% 1/10W       |                   |
| 168       | 1630 3221 | Resistor - 220 $\Omega$ ?5% 1/10W       |                   |
| 169       | 1630 3332 | Resistor - 3.3K $\Omega$ 1/10W ?5%      |                   |
| 170       | 1630 3472 | Resistor - 4.7K $\Omega$ 1/10W ?5%      |                   |

| Index No. | Part No.  | Description                             | Q'ty Per Assembly |
|-----------|-----------|---|-------------------|
| 171       | 1630 3683 | Resistor - 68K $\Omega$ ?5% 1/10W       |                   |
| 172       | 1630 3824 | Resistor - 820K $\Omega$ ?5% 1/10W      |                   |
| 173       | 1630 4102 | Resistor - 1.0K $\Omega$ ?5% 1/16W      |                   |
| 174       | 1630 4103 | Resistor - 10K $\Omega$ ?5% 1/16W       |                   |
| 175       | 1630 4105 | Resistor - 1.0M $\Omega$ ?5% 1/16W      |                   |
| 176       | 1630 4151 | Registor - 150 $\Omega$ ?5% 1/16w       |                   |
| 177       | 1630 4152 | Resistor - 1.5K $\Omega$ ?5% 1/16W      |                   |
| 178       | 1630 4153 | Resistor - 15K $\Omega$ ?5% 1/16W       |                   |
| 179       | 1630 4222 | Resistor - 2.2K $\Omega$ ?5%            |                   |
| 180       | 1630 4243 | Resistor - 24K $\Omega$ ?5% 1/16W       |                   |
| 181       | 1630 4562 | Registor - 5.6k $\Omega$ - ?5% - 1/16W  |                   |
| 182       | 1630 4682 | Registor - 6.8k $\Omega$ - ?5% - 1/16W  |                   |
| 183       | 1630 4821 | Resistor - 820 $\Omega$ ?5% 1/16W       |                   |
| 184       | 1633 0000 | Resistor - 0 $\Omega$ 1/10W             |                   |
| 185       | 1633 6200 | Resistor - 620 $\Omega$ - 1/10W         |                   |
| 186       | 1634 1001 | Resistor - 1K $\Omega$ ?5% 1/16W        |                   |
| 187       | 1634 1002 | Resistor - 10 $\Omega$ ?5% 1/16W        |                   |
| 188       | 1634 1502 | Resistor - 15K $\Omega$ ?1% 1/16W       |                   |
| 189       | 1634 4301 | Resistor - 4.3K $\Omega$ ?1% 1/8W       |                   |
| 190       | 1634 5101 | Registor - 5.10k $\Omega$ - ?1% - 1/16W |                   |
| 191       | 1634 6802 | Resistor - 68K $\Omega$ ?1% 1/16W       |                   |
| 192       | 1634 7501 | Registor-7.50k $\Omega$ ?1% 1/16W       |                   |
| 193       | 1634 7872 | Resistor - 78.7K $\Omega$ ?1% 1/16W     |                   |
| 194       | 1640 5101 | Capacitor - 100 $\mu$ F?20% 50V         |                   |
| 195       | 1644 1100 | Capacitor - 10 $\mu$ F?20% 16V          |                   |
| 196       | 1644 1470 | Capacitor - 47 $\mu$ F?20% 16V          |                   |
| 197       | 1644 5100 | Capacitor - 10 $\mu$ F?20% 50V          |                   |
| 198       | 1660 2220 | Capacitor - 22pF ?20% 35V               |                   |
| 199       | 1660 2471 | Capacitor - 470pF - ?5% - 50V           |                   |
| 200       | 1660 5103 | Capacitor - 10000pF ?10% 50V            |                   |
| 201       | 1660 7104 | Capacitor - 100000pF 50V                |                   |
| 202       | 1660 8104 | Capacitor - 0.1 $\mu$ F+80-20% 25V      |                   |
| 203       | 1905 0004 | UVEPROM 512K X8 100NS                   |                   |



# 41.DECAL AND DOCUMENT (C232)

### 1

### 7

### 8

●ドラムは、取っ手を両手でしっかりと持って引き抜いてください。

>ABS<

### 9

### 2

### 3

### 4

>ABS<

### 6

>ABS<

### 5

●左のノブを矢印方向に回し、▲を■に合わせてからドラムを入れてください。

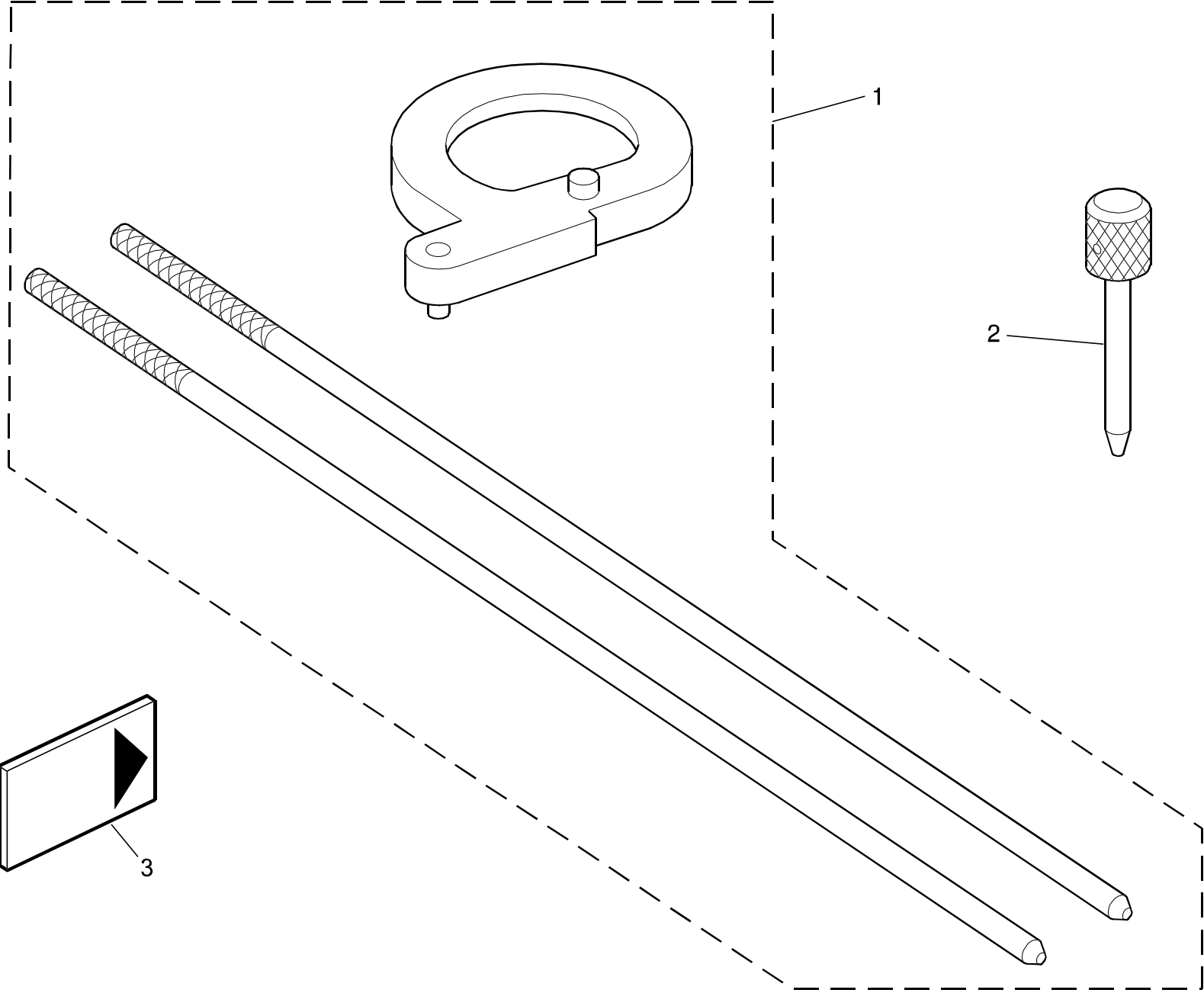
>ABS<

### 41.DECAL AND DOCUMENT (C232)

| Index No. | Part No.  | Description                  | Q'ty Per Assembly |
|-----------|-----------|------------------------------|-------------------|
| 1         | C232 1350 | Operation Sheet              | 1                 |
| 2         | C229 2951 | Decal - Paper Size           | 1                 |
| 3         | C232 1290 | Decal - Removal              | 1                 |
| 4         | C229 3529 | Decal - Delicvery Table Slid | 1                 |
| 5         | C229 1356 | Decal - Cylinder Operation   | 1                 |
| 6         | C229 3528 | Decal - Maser Eject Box      | 1                 |
| 7         | C229 1978 | Decal - Master Remuval       | 1                 |
| 8         | C229 2399 | Decal - Drum Operation       | 1                 |
| 9         | C229 2138 | Decal - Master Set           | 1                 |

| Index No. | Part No. | Description | Q'ty Per Assembly |
|-----------|----------|-------------|-------------------|
|           |          |             |                   |

42.SPECIAL TOOLS (C232)



## 42.SPECIAL TOOLS (C232)

| Index No. | Part No.  | Description                       | Q'ty Per Assembly |
|-----------|-----------|-----------------------------------|-------------------|
| 1         | C229 9000 | Drive Adjustment Tool Kit         | 1                 |
| 2         | A006 9104 | Adjusting Scanner Pin (4PCS/SET)  | 1                 |
| 3         | C232 5114 | Flash Memory Card (With Firmware) | 1                 |
| 3         | A230 9352 | Flash Memory Card (Blank)         | 1                 |

| Index No. | Part No. | Description | Q'ty Per Assembly |
|-----------|----------|-------------|-------------------|
|           |          |             |                   |

# **PARTS INDEX**

## PM Parts Index

| Section Name                | Part No.  | Description in Service Manual  | Description in Parts Catalog | Q'ty Per Assembly | Page and Index No |
|-----------------------------|-----------|--------------------------------|------------------------------|-------------------|-------------------|
| PAPER FEED SECTION 3 (C232) | C229 2835 | Paper Feed Roller              | Paper Feed Roller Ass'y      | 2                 | 33- 27            |
| PAPER FEED SECTION 4 (C232) | C229 2880 | Friction Pad                   | Separation Pad               | 1                 | 35- 15            |
| PAPER EXIT SECTION 2 (C232) | C229 3874 | Paper Delivery Transport Belts | Transport Belt               | 3                 | 49- 3             |
| DRUM UNIT 2 (C232)          | C229 2316 | Cloth Screen                   | Tetron Screen                | 1                 | 55- 5             |
| PLOTTER UNIT 3 (C232)       | C232 2080 | Platen Roller                  | Platen Roller Ass'y          | 1                 | 71- 8             |

| Part No.  | Description                | Page and Index No. |
|-----------|----------------------------|--------------------|
| C232 1150 | Joint Hinge                | 19- 5              |
| C232 1153 | Front Joint Guide          | 19- 21             |
| C232 1154 | Rear Joint Guide           | 19- 28             |
| C232 1164 | Bracket Dial Ass'y         | 45- 9              |
| C232 1167 | Pulley Ass'y               | 45- 8              |
| C232 1170 | Cover Dial Print           | 45- 7              |
| C232 1290 | Decal - Removal            | 95- 3              |
| C232 1290 | Decal - Removal            | 13- 20             |
| C232 1301 | Upper Door                 | 11- 2              |
| C232 1350 | Operation Sheet            | 11- 7              |
| C232 1350 | Operation Sheet            | 95- 1              |
| C232 1370 | Connector Guard            | 11- 22             |
| C232 1457 | Operation Panel Ass'y - EU | 13- 6              |
| C232 1515 | Online Sheet - EU          | 15- 2              |
| C232 1951 | Front Side Plate           | 73- 28             |
| C232 1961 | Rear Side Plate            | 73- 18             |
| C232 1976 | Front Platen Stopper       | 67- 13             |
| C232 1982 | Plotter Rear Cover         | 67- 16             |
| C232 2003 | Lower Tension Roller       | 71- 11             |
| C232 2008 | Upper Reverse Roller       | 71- 12             |
| C232 2016 | Spacer                     | 71- 37             |
| C232 2017 | Idle Purrey                | 71- 13             |
| C232 2018 | Timing Belt - B40S2M134    | 71- 18             |
| C232 2019 | Timing Belt - B40S2M112    | 71- 16             |
| C232 2021 | Motor Purrey               | 73- 16             |
| C232 2022 | Platen Idle Gear           | 73- 14             |
| C232 2023 | Gear - 17/34Z              | 73- 37             |
| C232 2024 | Gear - 16Z                 | 73- 38             |
| C232 2080 | Platen Roller Ass'y        | 71- 8              |
| C232 2085 | Thermal Head Base          | 71- 23             |
| C232 2087 | Thermal Head Stay          | 71- 26             |
| C232 2094 | Spting Plate               | 71- 27             |
| C232 2095 | Tortion Spring             | 71- 24             |
| C232 2096 | Front Left Release Plate   | 71- 29             |
| C232 2097 | Right Rear Release Plate   | 71- 25             |

| Part No.  | Description                 | Page and Index No. |
|-----------|-----------------------------|--------------------|
| C232 2098 | Base Stopper Bracket        | 71- 33             |
| C232 2119 | Front Left Gide             | 71- 21             |
| C232 2120 | Spacer                      | 71- 22             |
| C232 2125 | Guide Plate - Front Left    | 71- 35             |
| C232 2126 | Guide Plate - Rear Left     | 71- 34             |
| C232 2135 | Lower Guide Plate           | 69- 23             |
| C232 2137 | Master Guide                | 69- 27             |
| C232 2138 | Upper Guide - Master        | 69- 28             |
| C232 2170 | Rear Guide Pin - Operation  | 67- 17             |
| C232 2191 | Pressure Spring             | 67- 23             |
| C232 2222 | Timing Belt - B101MXL9.5    | 73- 17             |
| C232 2744 | Paper Feed Unit             | 29- 28             |
| C232 2757 | Lower Stay                  | 31- 19             |
| C232 2761 | Spring Plate                | 39- 27             |
| C232 2766 | Sheading Plate              | 13- 14             |
| C232 2767 | Paper Tray Unit             | 29- 26             |
| C232 2769 | Side Fence Ass'y            | 29- 5              |
| C232 2771 | Side Fence Pad              | 29- 6              |
| C232 2773 | Paper Tray                  | 29- 14             |
| C232 2774 | Paper Tray Cover            | 29- 3              |
| C232 2775 | Paper Tray - Sub            | 29- 12             |
| C232 2779 | Sheet Harness Clamp         | 29- 29             |
| C232 2791 | Right Side Fence            | 29- 11             |
| C232 2802 | Left Side Fence             | 29- 7              |
| C232 2839 | Feed Roller Shaft           | 33- 19             |
| C232 2841 | Magnetic Guide Plate        | 31- 12             |
| C232 2849 | Pulley - 20/30Z             | 27- 29             |
| C232 2851 | Drive Pulley Bracket        | 27- 25             |
| C232 2857 | Pulley - 20Z                | 33- 1              |
| C232 2858 | Drive Gear - 20/24Z         | 27- 27             |
| C232 2859 | Timing Belt - 80-XL-037     | 27- 22             |
| C232 2860 | Timing Belt - B100-S3M-225  | 27- 23             |
| C232 2861 | Pulley Cover                | 27- 24             |
| C232 2901 | Pressure Roller Spring 9.8n | 37- 7              |
| C232 2910 | Upper Feed Guide Plate      | 37- 18             |

| Part No.  | Description                       | Page and Index No. |
|-----------|-----------------------------------|--------------------|
| C232 2915 | Upper Entrance Seal               | 37- 26             |
| C232 2916 | Transport Guide Plate             | 37- 2              |
| C232 2918 | Lower Feed Guide Plate            | 37- 20             |
| C232 2925 | Sensor Bracket                    | 39- 12             |
| C232 2932 | Upper Guide Plate                 | 39- 16             |
| C232 2933 | Upper Transport Shaft             | 39- 11             |
| C232 2946 | Pulley - 20Z                      | 27- 18             |
| C232 2963 | Sensor Bracket                    | 39- 10             |
| C232 2965 | Upper Transport Guide             | 39- 26             |
| C232 2969 | Lower Transport Guide             | 39- 8              |
| C232 2974 | Decal - Jam Removal               | 39- 23             |
| C232 2975 | Lower Transport Roller Cover      | 39- 22             |
| C232 2977 | Lower Pressure Plate              | 39- 21             |
| C232 2978 | Pressure Spring - 19.6n           | 39- 19             |
| C232 2979 | Lower Transport Roller            | 39- 20             |
| C232 2983 | Bushing - 6mm                     | 39- 18             |
| C232 2985 | Sensor Bracket                    | 39- 15             |
| C232 2987 | Cam Lock Shaft                    | 39- 6              |
| C232 2988 | Left Cam Lock                     | 39- 7              |
| C232 2989 | Rhgjt Cam Lock                    | 39- 5              |
| C232 2991 | Cam Lock Lever                    | 13- 19             |
| C232 2992 | Middle Transport Roller           | 39- 4              |
| C232 2993 | Spring Plate                      | 39- 3              |
| C232 2994 | Shaft Bracket                     | 39- 1              |
| C232 2996 | Positioning Plate                 | 39- 2              |
| C232 3001 | Pressure Cylinder Ass'y           | 41- 10             |
| C232 3090 | Feed Encorder Bracket             | 43- 19             |
| C232 3091 | Feed Encoderguide                 | 43- 25             |
| C232 5101 | MPU Board                         | 81- 6              |
| C232 5101 | MPU Board                         | 89- *              |
| C232 5114 | Flash Memory Card (With Firmware) | 97- 3              |
| C232 5115 | I/O Control Board                 | 81- 7              |
| C232 5115 | I/O Control Board                 | 93- *              |
| C232 5124 | IC - 512K X8 100NS                | 81- 9              |
| C232 5124 | IC - 512K X8 100NS                | 93- 1              |

| Part No.  | Description                      | Page and Index No |
|-----------|----------------------------------|-------------------|
| C232 5160 | Operation Panel Board            | 15- 18            |
| C232 5180 | Thermal Head - A3                | 71- 20            |
| C232 5200 | DC Drive Harness                 | 81- 10            |
| C232 5201 | Relay Harness - Exit Unit        | 83- 7             |
| C232 5203 | Relay Harness - Cassette Bank    | 81- 15            |
| C232 5205 | Sensor Harness - Transfer        | 39- 17            |
| C232 5210 | Plotter Relay Harness            | 35- 10            |
| C232 5226 | Encoder Harness - Feed           | 43- 20            |
| C232 5236 | Harness - Original Size Sensor   | 29- 25            |
| C232 5248 | Plotter Harness                  | 73- 6             |
| C232 5280 | Harness - SBU                    | 63- 18            |
| C232 5320 | DC Power Supply - 220V           | 81- 12            |
| C232 5330 | Thermal Head Power Supply - 230V | 81- 17            |
| C232 5351 | IC Card Connector - 68P          | 89- 6             |
| C232 5610 | Seal                             | 83- 12            |
| C232 5616 | PCB Bracket                      | 81- 4             |
| C232 5617 | Lower Bracket                    | 83- 13            |
| C232 5618 | Upper Bracket                    | 81- 2             |
| C232 5627 | Bracket Circuit Board LED        | 21- 21            |
| C232 5801 | Stepped Motor - DC24V 12W        | 27- 17            |
| C232 5802 | Circuit Board LED Ass'y          | 21- 22            |



| Part No.  | Description              | Page and Index No. |
|-----------|--------------------------|--------------------|
| AA06 0137 | Pick-up Spring           | 27- 26             |
| AA06 3163 | Connector Spring         | 75- 6              |
| AA06 3163 | Connector Spring         | 35- 9              |
| AA13 2080 | Spacer - Cleaning Brush  | 53- 5              |
| AA14 3005 | Stepped Screw - M4x2.5   | 21- 7              |
| AA14 3062 | Shoulder Screw - M4      | 43- 15             |
| AA14 3120 | Stepped Screw - M3x3     | 75- 8              |
| AA14 3120 | Stepped Screw - M3x3     | 35- 8              |
| AA14 3718 | Stepped Screw - M4       | 45- 14             |
| AA14 8447 | Guide Pin - Platen Cover | 11- 14             |
| AA16 2067 | Platen Cover Pad         | 17- 7              |
| AC01 3004 | Exposure Glass           | 13- 9              |
| AG07 1009 | Rotary Catch             | 21- 1              |
| AG07 1010 | Magnet Catch             | 21- 6              |
| AW02 0075 | Photointerruptor         | 51- 6              |
| AW02 0075 | Photointerruptor         | 75- 9              |
| AW02 0075 | Photointerruptor         | 69- 16             |
| AW02 0075 | Photointerruptor         | 63- 11             |
| AW02 0075 | Photointerruptor         | 59- 13             |
| AW02 0075 | Photointerruptor         | 57- 30             |
| AW02 0075 | Photointerruptor         | 31- 26             |
| AW02 0075 | Photointerruptor         | 49- 18             |
| AW02 0075 | Photointerruptor         | 45- 44             |
| AW02 0075 | Photointerruptor         | 45- 17             |
| AW02 0075 | Photointerruptor         | 39- 13             |
| AW02 0075 | Photointerruptor         | 25- 17             |
| AW02 0075 | Photointerruptor         | 27- 9              |
| AW02 0075 | Photointerruptor         | 33- 23             |
| AW03 0030 | Fiber Cable - 400        | 81- 3              |
| AW10 0022 | Optics Thermistor        | 59- 21             |
| AW50 0012 | Push Switch              | 59- 5              |
| AW50 0012 | Push Switch              | 35- 6              |
| AW50 0012 | Push Switch              | 75- 22             |
| AX31 0024 | Total Counter            | 21- 19             |

| Part No.  | Description                      | Page and Index No. |
|-----------|----------------------------------|--------------------|
| A006 9104 | Adjusting Scanner Pin (4PCS/SET) | 97- 2              |
| A030 1339 | Plate Nut - Key Counter          | 13- 12             |
| A049 3371 | Magnet                           | 73- 3              |
| A049 3371 | Magnet                           | 79- 19             |
| A053 1957 | Flex Hinge - Platen Cover        | 17- 5              |
| A077 4162 | Shoulder Screw - M3              | 67- 7              |
| A109 4775 | Stepped Screw - M5               | 83- 17             |
| A193 1231 | Platen Cover Ass'y               | 17- 10             |
| A193 1246 | Plate Cover Hinge Ass'y          | 17- 9              |
| A193 1317 | Bracket - Platen Cover           | 17- 6              |
| A193 1354 | Cap - Memory                     | 11- 17             |
| A193 1381 | Platen Cover Actuator            | 17- 3              |
| A193 1386 | Front Platen Cover               | 17- 4              |
| A193 1391 | Rear Platen Cover                | 17- 2              |
| A193 1396 | Original Holder                  | 17- 1              |
| A193 1669 | 2nd/3rd Mirror                   | 65- 3              |
| A193 1679 | Lens Holder Ass'y                | 63- 9              |
| A193 1682 | Scanner Drive Pulley Ass'y       | 65- 17             |
| A193 1689 | Right Inner Cover                | 63- 8              |
| A193 1690 | Scanner Motor - DC               | 65- 23             |
| A193 1754 | Bracket - Left Original Scale    | 63- 2              |
| A193 1757 | Rear Original Scale              | 13- 11             |
| A193 1759 | Stepped Screw                    | 13- 18             |
| A193 1760 | 1st Scanner Ass'y                | 65- 11             |
| A193 1764 | 1st Mirror                       | 65- 13             |
| A193 1766 | Wire Clamp                       | 65- 7              |
| A193 1767 | 1st Mirror Holder                | 65- 12             |
| A193 1769 | Clamp - Rear Wire                | 65- 10             |
| A193 1770 | 2nd Scanner Ass'y                | 65- 2              |
| A193 1776 | Upper Harness Guide              | 65- 4              |
| A193 1777 | 2nd/3rd Mirror Holder            | 65- 1              |
| A193 1781 | Lower Harness Guide              | 63- 4              |
| A193 1783 | Tension Spring                   | 65- 21             |
| A193 1784 | Tension Spring                   | 65- 19             |
| A193 1786 | Platen Cover Bracket             | 63- 1              |

| Part No.  | Description                     | Page and Index No. |
|-----------|---------------------------------|--------------------|
| A193 1790 | Grounding Plate - Lens Block    | 63- 14             |
| A193 1793 | Scanner Home Sensor Stopper     | 63- 17             |
| A193 1795 | Seal - Scanner Frame            | 63- 16             |
| A193 1796 | Seal - Carriage                 | 65- 26             |
| A193 1798 | Seal - Side Plate               | 65- 24             |
| A193 1799 | Harness Guide - Exposure Lamp   | 65- 9              |
| A193 1816 | Slide Rail                      | 65- 30             |
| A193 1817 | Slide Rail 2                    | 65- 31             |
| A193 1818 | Frame                           | 63- 15             |
| A193 1819 | Front Seal - Scanner Frame      | 63- 10             |
| A193 1824 | Left Inner Cover - Scanner Unit | 63- 3              |
| A193 1826 | Lens Block Holder               | 63- 7              |
| A193 1829 | Ball Bearing - M8               | 65- 15             |
| A193 1831 | Rear Scanner Pulley             | 65- 29             |
| A193 1832 | Front Scanner Pulley            | 65- 18             |
| A193 1838 | Scanner Drive Wire              | 65- 20             |
| A193 1840 | Timing Belt - L220 B8           | 65- 16             |
| A193 1843 | Motor Bracket                   | 65- 27             |
| A193 1844 | Stepping Motor Cushion          | 65- 28             |
| A193 1846 | Pulley - M18                    | 65- 25             |
| A193 1849 | Tension Bracket                 | 65- 22             |
| A193 5520 | IC - GAPD                       | 89- 1              |
| A193 5550 | IC - ADIPU M66359FP             | 89- 2              |
| A193 5703 | Exposure Lamp Harness           | 65- 8              |
| A193 5709 | Exposure Lamp                   | 65- 6              |
| A193 5730 | Atabilizer - Xenon Lamp         | 63- 12             |
| A193 5906 | Original Sensor                 | 63- 5              |
| A224 1680 | Left Original Scale             | 13- 8              |
| A230 9352 | Flash Memory Card (Blank)       | 97- 3              |
| A267 1853 | Pulley - Front Left             | 65- 5              |
| A267 1854 | Pulley - Rear Left              | 65- 14             |
| A628 3192 | Original Scale                  | 13- 7              |
| A659 1272 | Door Catch                      | 73- 8              |
| A659 1272 | Door Catch                      | 11- 8              |

| Part No.  | Description                   | Page and Index No. |
|-----------|-------------------------------|--------------------|
| C200 2266 | Bearing Holder                | 37- 1              |
| C200 2266 | Bearing Holder                | 39- 28             |
| C200 3712 | Pulley                        | 33- 7              |
| C201 4604 | Drum Rail Roller              | 53- 23             |
| C201 4665 | Bearing Holder                | 61- 2              |
| C201 5125 | Stepped Screw - M6            | 23- 21             |
| C201 5125 | Stepped Screw - M6            | 25- 6              |
| C201 5125 | Stepped Screw - M6            | 53- 29             |
| C203 5220 | Gear - 18T                    | 27- 28             |
| C207 4672 | Gear - 36Z                    | 23- 9              |
| C209 3133 | Retaining Ring - M6           | 33- 17             |
| C209 4713 | Hose Band                     | 59- 19             |
| C209 5092 | Rubber Plate Lever            | 29- 13             |
| C209 8117 | Drum Master Detection Sensor  | 69- 8              |
| C209 8234 | Drum Lock Solenoid            | 73- 29             |
| C209 8288 | Table Down Switch             | 21- 14             |
| C213 2435 | Magnet Plate                  | 67- 20             |
| C217 2455 | Key Counter Cover             | 83- 1              |
| C217 2455 | Key Counter Cover             | 13- 13             |
| C217 4426 | Shoulder Screw                | 45- 11             |
| C217 5102 | Spring Washer                 | 53- 3              |
| C217 5126 | Cam Follower Plate            | 37- 24             |
| C217 5530 | Pressure Release Spring       | 41- 3              |
| C217 8447 | DC Motor - 24V/7.2W           | 35- 12             |
| C217 8447 | DC Motor - 24V/7.2W           | 33- 15             |
| C218 2525 | Stepped Screw - M4            | 47- 7              |
| C218 3039 | Flat Cable Clamp              | 83- 18             |
| C218 4038 | Bushing Washer - M8           | 71- 28             |
| C219 3950 | Stepped Screw                 | 53- 2              |
| C219 4071 | Gear - 17Z                    | 73- 19             |
| C219 8204 | Vacuum Fan Motor - DC24V 0.3A | 49- 21             |
| C222 8208 | Air Knife Motor               | 73- 24             |
| C224 4715 | Pump Spring - 13 mm           | 57- 14             |
| C226 2740 | Emblem                        | 11- 21             |
| C228 8030 | IC - THERMAL HEAD DRIVE       | 89- 3              |

| Part No.  | Description                       | Page and Index No. |
|-----------|-----------------------------------|--------------------|
| C229 1028 | Pressure Cylinder Drive Shaft     | 23- 15             |
| C229 1036 | Drive Bracket                     | 23- 22             |
| C229 1039 | Motor Gear                        | 23- 33             |
| C229 1040 | Bearing Holder                    | 23- 27             |
| C229 1043 | Middle Stay Shaft                 | 45- 19             |
| C229 1044 | Spacer                            | 45- 46             |
| C229 1048 | Tension Bracket                   | 25- 4              |
| C229 1048 | Tension Bracket                   | 23- 18             |
| C229 1050 | Base                              | 19- 1              |
| C229 1063 | Hexagon Screw - M5x4              | 23-104             |
| C229 1064 | Ball Bearing 68000ZZ              | 23- 31             |
| C229 1066 | Main Motor Base                   | 23- 29             |
| C229 1067 | Tension Holder                    | 23- 19             |
| C229 1070 | Grip Plate - Long                 | 19- 3              |
| C229 1071 | Grip Plate - Short                | 19- 6              |
| C229 1072 | Grip Guide Bracket                | 19- 4              |
| C229 1073 | Right Grip Cover - Inner Rear     | 19- 27             |
| C229 1075 | Left Stay                         | 45- 20             |
| C229 1077 | Right Lower Stay - Scanner        | 19- 20             |
| C229 1078 | Harness Cover                     | 19- 15             |
| C229 1082 | Front Guide Shaft                 | 45- 10             |
| C229 1083 | Rear Guide Shaft                  | 45- 25             |
| C229 1090 | Drum Drive Shaft                  | 23- 12             |
| C229 1092 | Timing Pulley - Drum Drive        | 25- 12             |
| C229 1093 | Timing Pulley Bracket             | 25- 28             |
| C229 1094 | Timing Pulley - Pressure Cylinder | 25- 9              |
| C229 1096 | Stand M28                         | 19- 2              |
| C229 1101 | Drum Drive Support Plate          | 23- 10             |
| C229 1121 | Relay Gear Shaft                  | 25- 26             |
| C229 1123 | Left Image Shaft Support Plate    | 25- 13             |
| C229 1124 | Sector Gear - Image Shift         | 25- 15             |
| C229 1126 | Sensor Acuator                    | 25- 16             |
| C229 1127 | Right Support Plate               | 25- 8              |
| C229 1128 | Drive Support Bracket             | 25- 3              |
| C229 1130 | Relay Gear Ass'y                  | 25- 14             |

| Part No.  | Description                         | Page and Index No |
|-----------|-------------------------------------|-------------------|
| C229 1136 | Timing Pulley - Job Separator       | 45- 29            |
| C229 1137 | Drive Relay Gear                    | 45- 38            |
| C229 1139 | Timing Belt - S2M190                | 45- 26            |
| C229 1140 | Feed Roller Drive Gear              | 23- 8             |
| C229 1142 | Timing Belt - S5M780                | 25- 11            |
| C229 1143 | Tension Spring                      | 25- 7             |
| C229 1143 | Tension Spring                      | 23- 20            |
| C229 1145 | Belt Tension Roller                 | 23- 17            |
| C229 1145 | Belt Tension Roller                 | 25- 27            |
| C229 1151 | Gear Pulley                         | 23- 24            |
| C229 1154 | Timin Belt                          | 23- 25            |
| C229 1155 | Driven Shaft Gear                   | 45- 40            |
| C229 1160 | Dial Adjuster                       | 45- 4             |
| C229 1161 | Dial Drive Pulley - 20Z             | 45- 3             |
| C229 1162 | Pulley Spacer                       | 45- 2             |
| C229 1163 | Timing Belt - S3M118Z               | 45- 1             |
| C229 1173 | Dial Spring                         | 23- 23            |
| C229 1174 | Image Shift Motor Bracket           | 25- 18            |
| C229 1175 | Worm Wheel                          | 25- 20            |
| C229 1176 | Worm Gear                           | 25- 24            |
| C229 1177 | Shift Sensor Encrder                | 25- 25            |
| C229 1177 | Shift Sensor Encrder                | 57- 41            |
| C229 1178 | Sensor Bracket                      | 25- 22            |
| C229 1179 | Image Shift Drive Shaft             | 25- 21            |
| C229 1180 | Harness Guide                       | 23- 26            |
| C229 1187 | Timing Belt - Pressure Cylinder Dri | 25- 10            |
| C229 1192 | Drum Guide Pin                      | 23- 16            |
| C229 1198 | Lower Timing Pulley - Cylinder Driv | 23- 7             |
| C229 1253 | Door Cover                          | 11- 1             |
| C229 1254 | Cushion - Front Door                | 11- 5             |
| C229 1258 | Door Support Plate                  | 11- 4             |
| C229 1259 | Door Catch Bracket                  | 11- 9             |
| C229 1260 | Door Hinge Ass'y                    | 11- 6             |
| C229 1264 | Safety Switch Bracket               | 11- 3             |
| C229 1265 | Operation Panel Lower Cover         | 13- 5             |

| Part No.  | Description                    | Page and Index No. |
|-----------|--------------------------------|--------------------|
| C229 1266 | Front Right Cover              | 11- 20             |
| C229 1270 | Rear Right Cover               | 11- 19             |
| C229 1272 | Left Cover Bracket             | 21- 2              |
| C229 1276 | Left Cover                     | 11- 11             |
| C229 1281 | Upper Left Cover Bracket       | 81- 16             |
| C229 1283 | Rear Cover                     | 11- 16             |
| C229 1284 | Rom Guide                      | 11- 15             |
| C229 1288 | Knob Cover - Cylinder Cleaning | 13- 2              |
| C229 1289 | Small Cap                      | 13- 1              |
| C229 1290 | Upper Right Support Plate      | 21- 15             |
| C229 1291 | Support Plate - Right Lower    | 29- 1              |
| C229 1292 | Exit Guide Plate Ass'y         | 47- 12             |
| C229 1295 | Rear Upper Cover               | 11- 13             |
| C229 1296 | Scanner Right Cover            | 11- 18             |
| C229 1297 | Scanner Left Cover             | 11- 12             |
| C229 1299 | Inner Cover                    | 13- 4              |
| C229 1356 | Decal - Cylinder Operation     | 95- 5              |
| C229 1356 | Decal - Cylinder Operation     | 13- 3              |
| C229 1359 | Caution Decal                  | 11- 10             |
| C229 1472 | Cover Behind                   | 15- 4              |
| C229 1473 | Operation Panel Lower Case     | 15- 1              |
| C229 1474 | LED Display                    | 15- 7              |
| C229 1480 | Key-top Start                  | 15- 15             |
| C229 1481 | Key-tp Stop                    | 15- 16             |
| C229 1482 | Key-top Start                  | 15- 14             |
| C229 1483 | Key-top Proof                  | 15- 13             |
| C229 1484 | Key-top 10 Key                 | 15- 9              |
| C229 1485 | Key-top Auto Cycle             | 15- 12             |
| C229 1487 | Key-top Program                | 15- 10             |
| C229 1488 | Key-top Initialis              | 15- 6              |
| C229 1489 | Key-top Display Monitor        | 15- 8              |
| C229 1490 | Key-top Behind                 | 15- 5              |
| C229 1509 | Preventfence Sheet             | 15- 17             |
| C229 1516 | Behind Sheet - EU              | 15- 3              |
| C229 1977 | Plotter Cover - Front          | 67- 29             |

| Part No.  | Description                | Page and Index No |
|-----------|----------------------------|-------------------|
| C229 1978 | Decal - Master Removal     | 67- 26            |
| C229 1978 | Decal - Master Removal     | 95- 7             |
| C229 1979 | Stay - Plotter Cover       | 67- 21            |
| C229 1981 | Rear Stopper               | 67- 14            |
| C229 1985 | Master Unit Stay           | 69- 5             |
| C229 1993 | Silde Rail Spacer          | 71- 3             |
| C229 1994 | Middle Rail Stopper Ass'y  | 71- 1             |
| C229 1994 | Middle Rail Stopper Ass'y  | 73- 27            |
| C229 1995 | Slide Rail                 | 71- 2             |
| C229 1995 | Slide Rail                 | 73- 22            |
| C229 1998 | Rear Rail Spacer           | 73- 23            |
| C229 2002 | Upper Tension Roller       | 71- 10            |
| C229 2004 | Pressuer Spring            | 71- 4             |
| C229 2006 | Bushing                    | 71- 5             |
| C229 2009 | Lower Reverse Roller       | 73- 11            |
| C229 2010 | Pressure Spring            | 71- 32            |
| C229 2016 | Stepped Screw              | 71- 14            |
| C229 2019 | Torque Limitter Gear       | 71- 15            |
| C229 2025 | Gear - 23Z                 | 71- 7             |
| C229 2026 | Gear - 15Z                 | 73- 15            |
| C229 2028 | Maser Roll Pulley          | 67- 15            |
| C229 2032 | Left Guide Mylar           | 69- 26            |
| C229 2035 | Rear Lower Guide Plate     | 69- 4             |
| C229 2036 | Rear Upper Guide Plate     | 69- 2             |
| C229 2037 | Lower Guide Mylar          | 69- 3             |
| C229 2042 | Release Guide Plate        | 73- 10            |
| C229 2047 | Right Reverse Roller Guide | 73- 9             |
| C229 2052 | Release Guide Arm          | 73- 33            |
| C229 2057 | Upper Link Arm             | 73- 34            |
| C229 2058 | Lower Guide Link           | 73- 32            |
| C229 2064 | Lower Duct Cover           | 73- 2             |
| C229 2065 | Right Guide Plate          | 73- 25            |
| C229 2066 | Fan Cover                  | 73- 39            |
| C229 2068 | Lower Duct Case            | 73- 1             |
| C229 2071 | Antistatic Brush - 310     | 73- 35            |

| Part No.  | Description                    | Page and Index No. |
|-----------|--------------------------------|--------------------|
| C229 2073 | Upper Duct Cover               | 73- 5              |
| C229 2078 | Guard - Duct                   | 73- 4              |
| C229 2082 | Platen Roller Gear             | 71- 31             |
| C229 2102 | Drive Gear - 26Z               | 69- 13             |
| C229 2102 | Drive Gear - 26Z               | 75- 4              |
| C229 2103 | Worm Gear                      | 69- 21             |
| C229 2104 | Idle Gear                      | 69- 20             |
| C229 2107 | Actuator Gear                  | 69- 19             |
| C229 2109 | Motor Bracket                  | 69- 17             |
| C229 2112 | Release Cam                    | 69- 11             |
| C229 2113 | Release Roller                 | 69- 10             |
| C229 2122 | Right Roller Guide             | 71- 19             |
| C229 2132 | Plotter Cover                  | 67- 19             |
| C229 2138 | Decal - Master Set             | 95- 9              |
| C229 2138 | Decal - Master Set             | 67- 5              |
| C229 2139 | Lower Master Cover             | 69- 24             |
| C229 2142 | Decal - Master Position        | 69- 29             |
| C229 2147 | Master Roller Bracket          | 67- 4              |
| C229 2148 | Left Arm - Master Feed Roller  | 67- 3              |
| C229 2149 | Right Arm - Master Feed Roller | 67- 6              |
| C229 2157 | Master Feed Roller             | 67- 12             |
| C229 2158 | Maser Feed Roller Knob         | 67- 10             |
| C229 2159 | Pressure Spring                | 67- 1              |
| C229 2160 | Release Spring                 | 67- 8              |
| C229 2161 | Master Feed Roller Gear        | 67- 9              |
| C229 2162 | Bushing                        | 67- 30             |
| C229 2163 | Spring                         | 67- 2              |
| C229 2165 | Front Positioning Pin          | 67- 28             |
| C229 2172 | Master Feed Roller Stay        | 67- 11             |
| C229 2183 | Master Flange Sheet            | 67- 31             |
| C229 2187 | Bracket Hinge Pin              | 67- 27             |
| C229 2188 | Front Master Stay              | 67- 24             |
| C229 2189 | Master Flange Spring           | 69- 1              |
| C229 2193 | Front Bracket - Master Flange  | 67- 25             |
| C229 2196 | Rear Master Flange             | 67- 18             |

| Part No.  | Description                     | Page and Index No. |
|-----------|---------------------------------|--------------------|
| C229 2201 | Front Flange Ass'y              | 67- 22             |
| C229 2209 | Cutter Uint Ass'y               | 69- 9              |
| C229 2215 | Solenoid Cover                  | 73- 30             |
| C229 2221 | Master Feed Motor Bracket       | 73- 20             |
| C229 2239 | Master Sensor Cover             | 69- 7              |
| C229 2240 | Bracket - Master Sensor         | 69- 6              |
| C229 2248 | Left Grounding Plate            | 73- 7              |
| C229 2249 | Grounding Plate                 | 71- 30             |
| C229 2251 | Position Sensor Bracket         | 69- 25             |
| C229 2254 | Harness Cover                   | 73- 13             |
| C229 2255 | Plotter Bottom Plate            | 73- 26             |
| C229 2260 | Plotter Connector Bracket       | 35- 5              |
| C229 2261 | Connector Plate                 | 35- 4              |
| C229 2262 | Plotter Connector Bracket Cover | 35- 3              |
| C229 2264 | Rear Stopper - Plotter          | 19- 22             |
| C229 2265 | Sensor Bracket                  | 35- 2              |
| C229 2266 | Mylar 14x46.5                   | 35- 26             |
| C229 2267 | Lock Holder                     | 35- 7              |
| C229 2271 | H.p Sensor Bralcet              | 69- 15             |
| C229 2273 | Rear Harness Cover              | 69- 14             |
| C229 2275 | Plotter Rail                    | 19- 24             |
| C229 2276 | Middle Plotter Rail             | 19- 25             |
| C229 2277 | Plotter Rail Bracket            | 19- 23             |
| C229 2279 | Tension Bracket                 | 21- 16             |
| C229 2281 | Master Tension Roller           | 21- 13             |
| C229 2313 | Drum Rail Ass'y                 | 53- 27             |
| C229 2315 | Oil Supply Roller Ass'y         | 61- 26             |
| C229 2316 | Tetron Screen                   | 55- 5              |
| C229 2351 | Front Side Plate                | 53- 11             |
| C229 2357 | Switch Lever Knob               | 53- 6              |
| C229 2359 | Connector Slider                | 53- 10             |
| C229 2360 | Connector Bracket               | 53- 9              |
| C229 2362 | Drum Release Grip               | 53- 17             |
| C229 2364 | Front Inner Cover               | 53- 1              |
| C229 2365 | Switch Lever Bracket            | 53- 7              |

| Part No.  | Description                | Page and Index No. |
|-----------|----------------------------|--------------------|
| C229 2367 | Switch Lever               | 53- 4              |
| C229 2369 | Bearing Shaft              | 59- 9              |
| C229 2371 | Bearing Shaft - Lower Left | 59- 14             |
| C229 2374 | Front Magnet Catch         | 53- 16             |
| C229 2377 | Magnet Catch Bracket       | 53- 13             |
| C229 2379 | Drum Guide Disk            | 55- 15             |
| C229 2385 | Grip Rail                  | 53- 20             |
| C229 2394 | Spring Plate               | 53- 28             |
| C229 2396 | Spring Plate               | 53- 22             |
| C229 2399 | Decal - Drum Operation     | 53- 21             |
| C229 2399 | Decal - Drum Operation     | 95- 8              |
| C229 2405 | Drum Stopper Arm           | 53- 18             |
| C229 2406 | Drum Lock Spring           | 53- 19             |
| C229 2413 | Stepped Screw - Drum Lock  | 53- 24             |
| C229 2419 | Rear Drum Disk             | 55- 10             |
| C229 2420 | Front Outer Flange         | 55- 1              |
| C229 2422 | Rear Outer Flange          | 55- 14             |
| C229 2423 | Fixing Plate               | 55- 12             |
| C229 2424 | Plate Nut                  | 55- 13             |
| C229 2428 | Slider                     | 55- 9              |
| C229 2431 | Drum Positioning Pin       | 55- 11             |
| C229 2434 | Switch Acuator             | 55- 25             |
| C229 2435 | Drive Gear - 50z           | 55- 24             |
| C229 2441 | Rear Drum Frame            | 53- 25             |
| C229 2442 | Rear Drum Flange           | 55- 16             |
| C229 2450 | Front Bank Plate           | 61- 18             |
| C229 2451 | Ink Roller                 | 61- 16             |
| C229 2458 | Doctor Roller              | 61- 19             |
| C229 2459 | Gear - 37Z                 | 61- 4              |
| C229 2460 | Middle Drive Gear          | 61- 15             |
| C229 2461 | Front Side Plate           | 61- 24             |
| C229 2462 | Rear Side Plate            | 61- 25             |
| C229 2466 | Rear Bank Plate            | 61- 20             |
| C229 2470 | Front Ink Blade            | 61- 1              |
| C229 2471 | Rear Ink Blade             | 61- 23             |

| Part No.  | Description                     | Page and Index No |
|-----------|---------------------------------|-------------------|
| C229 2472 | Grounding Plate                 | 61- 21            |
| C229 2473 | Adjusting Plate - Doctor Roller | 61- 5             |
| C229 2478 | Gear - 19Z                      | 61- 3             |
| C229 2479 | Support Stay                    | 61- 13            |
| C229 2486 | Ink Holder                      | 57- 6             |
| C229 2487 | Ink Holder Knob                 | 57- 7             |
| C229 2488 | Ink Holder Slider               | 57- 5             |
| C229 2490 | Ink Bottle Bracket              | 59- 4             |
| C229 2491 | Ink Sensor Bracket              | 59- 7             |
| C229 2492 | Ink Sensor Terminal             | 59- 8             |
| C229 2493 | Right Ink Holder                | 57- 2             |
| C229 2494 | Left Slide Rail                 | 59- 10            |
| C229 2495 | Right Slide Rail                | 59- 11            |
| C229 2496 | Right Guide - Slide Rail        | 57- 1             |
| C229 2498 | Ink Cartrighe Cover             | 57- 9             |
| C229 2499 | Left Guide - Slide Rail         | 57- 4             |
| C229 2500 | Left Ink Holder                 | 57- 3             |
| C229 2501 | Ink Pump Assy                   | 57- 29            |
| C229 2502 | Ink Pump Ass'y                  | 57- 44            |
| C229 2509 | Ink Suppuly Pump                | 57- 11            |
| C229 2510 | Pump Cap                        | 57- 16            |
| C229 2511 | Pump Shaft                      | 57- 18            |
| C229 2514 | O-ring P9                       | 57- 8             |
| C229 2515 | O-ring P10                      | 57- 10            |
| C229 2516 | O-ring P14                      | 57- 12            |
| C229 2517 | O-ring P16                      | 57- 17            |
| C229 2518 | Pump Shaft Holder               | 57- 20            |
| C229 2519 | Pump Shaft Guide                | 57- 19            |
| C229 2520 | Pump Drive Bracket              | 57- 21            |
| C229 2525 | Bushing - Pump Drive Gear       | 57- 25            |
| C229 2526 | Large Drive Gear                | 57- 26            |
| C229 2527 | Pump Gear                       | 57- 24            |
| C229 2528 | Worm Gear                       | 57- 23            |
| C229 2530 | Ink Pump Sensor Bracket         | 57- 31            |
| C229 2531 | Pump Shaft Bushing              | 57- 22            |

| Part No.  | Description                      | Page and Index No. |
|-----------|----------------------------------|--------------------|
| C229 2532 | Pump Case                        | 57- 15             |
| C229 2534 | Distributor Bracket              | 59- 17             |
| C229 2535 | Ink Distributor                  | 59- 18             |
| C229 2537 | Pump Motor Cover                 | 57- 27             |
| C229 2538 | Ink Tube                         | 59- 20             |
| C229 2541 | Drum Unit Frame                  | 57- 45             |
| C229 2542 | Harness Cover                    | 59- 16             |
| C229 2543 | Front Shield - Metal Screen - A3 | 55- 7              |
| C229 2545 | Ink Roller Ass'y                 | 61- 14             |
| C229 2547 | Rear Shield - Metal Screen - A3  | 55- 6              |
| C229 2550 | Sensor Actuator                  | 61- 7              |
| C229 2552 | Idling Roller Arm - Front        | 61- 9              |
| C229 2555 | Idling Roller Arm - Rear         | 61- 17             |
| C229 2557 | Ink Supply Roller Arm            | 61- 8              |
| C229 2558 | Motor Bracket                    | 59- 2              |
| C229 2561 | Stepped Screw                    | 61- 6              |
| C229 2562 | Idling Roller Arm Shaft          | 61- 10             |
| C229 2563 | Sensor Bracket                   | 59- 12             |
| C229 2564 | Press Roller Spring              | 61- 12             |
| C229 2565 | Reverse Gear                     | 61- 11             |
| C229 2571 | Shift Motor Bracket              | 57- 40             |
| C229 2576 | Worm Gear                        | 57- 37             |
| C229 2580 | Slide Fixed Plate                | 57- 33             |
| C229 2581 | Drum H.P Sensor Bracket          | 57- 35             |
| C229 2582 | Drum Shift Sensor Bracket        | 57- 39             |
| C229 2583 | Slider                           | 57- 34             |
| C229 2589 | Drum Shift Cover                 | 57- 38             |
| C229 2590 | Shift Motor Cover                | 57- 43             |
| C229 2594 | Rear Screen Clamper              | 55- 2              |
| C229 2595 | Clamper Fixed Plate              | 55- 20             |
| C229 2596 | Front Screen Clamper             | 55- 3              |
| C229 2601 | Front Stepped Screw              | 55- 22             |
| C229 2603 | Spring                           | 55- 19             |
| C229 2605 | Clamper Seal                     | 55- 26             |
| C229 2608 | Drum Release Gear                | 53- 26             |

| Part No.  | Description                 | Page and Index No |
|-----------|-----------------------------|-------------------|
| C229 2609 | Spring Plate                | 57- 32            |
| C229 2611 | Drum Rail Stay              | 19- 18            |
| C229 2615 | Slide Rail Roller           | 19- 17            |
| C229 2616 | Right Drum Lock Pin         | 21- 12            |
| C229 2619 | Left Drum Lock Pin          | 21- 10            |
| C229 2621 | Spring Plate                | 45- 31            |
| C229 2624 | Shift Drive Gear            | 57- 36            |
| C229 2625 | Drum Position Plate         | 21- 11            |
| C229 2626 | Drum Position Plate - Small | 21- 20            |
| C229 2631 | Limit Sensor Bracket        | 45- 33            |
| C229 2633 | Stepped Screw               | 35- 23            |
| C229 2644 | Rear Dram Frame Aux.        | 53- 31            |
| C229 2645 | Rear Drum Frame Stand       | 53- 30            |
| C229 2646 | Gear Z16                    | 61- 22            |
| C229 2647 | Drum Shaft                  | 55- 17            |
| C229 2650 | Seal Assy - A3              | 55- 4             |
| C229 2651 | Metal Screen Assy - A3      | 55- 8             |
| C229 2675 | Drum Clamper Base           | 55- 23            |
| C229 2678 | Magnetic Clamp              | 55- 21            |
| C229 2751 | Right Side Plate            | 31- 10            |
| C229 2754 | Left Side Plate             | 31- 6             |
| C229 2755 | Lift Up Rack - Paper Table  | 31- 1             |
| C229 2756 | Upper Stay                  | 31- 8             |
| C229 2761 | Cusion                      | 31- 7             |
| C229 2763 | Lower Shield Plate          | 13- 17            |
| C229 2764 | Lower Shield Plate A        | 13- 15            |
| C229 2765 | Lower Shield Plate B        | 13- 16            |
| C229 2775 | Right Stay - Paper Table    | 31- 28            |
| C229 2776 | Left Stay - Paper Table     | 31- 18            |
| C229 2780 | Side Fence Rack - Right     | 29- 18            |
| C229 2781 | Side Fence Rack             | 29- 19            |
| C229 2784 | Grounding Plate             | 29- 20            |
| C229 2794 | Tension Spring Plate        | 29- 21            |
| C229 2805 | Paper Table Ass'y           | 31- 9             |
| C229 2807 | Paper Table - Fix           | 31- 29            |

| Part No.  | Description                  | Page and Index No. |
|-----------|------------------------------|--------------------|
| C229 2810 | Paper Set Sensor Bracket     | 31- 27             |
| C229 2814 | Right Adjusting Plate        | 31- 25             |
| C229 2815 | Left Adjusting Plate         | 31- 24             |
| C229 2816 | Pressuer Release Arm - Right | 31- 23             |
| C229 2817 | Pressuer Release Arm - Left  | 31- 22             |
| C229 2820 | Pressuer Release Plate       | 31- 21             |
| C229 2823 | Table Lift Shaft             | 31- 20             |
| C229 2824 | Gear - 20Z                   | 31- 3              |
| C229 2826 | Spring Anchor - Right        | 31- 31             |
| C229 2827 | Spring Anchor - Left         | 31- 2              |
| C229 2828 | Lift Up Spring - Paper Tray  | 29- 2              |
| C229 2829 | Lift Up Shaft                | 31- 4              |
| C229 2833 | Paper Feed Arm               | 33- 30             |
| C229 2834 | Balancer Arm                 | 33- 24             |
| C229 2835 | Paper Feed Roller Ass'y      | 33- 27             |
| C229 2836 | Paper Feed Roller            | 33- 28             |
| C229 2837 | Paper Feed Roller - Center   | 33- 29             |
| C229 2838 | Pick-up Roller Shaft         | 33- 20             |
| C229 2840 | Pad                          | 31- 14             |
| C229 2845 | Paper Feed Guide Plate       | 33- 3              |
| C229 2850 | Paper Feed Stay              | 33- 22             |
| C229 2856 | Worm Wheel Gear - 14Z/40Z    | 33- 12             |
| C229 2856 | Worm Wheel Gear - 14Z/40Z    | 35- 17             |
| C229 2857 | Gear - 14Z/42Z               | 33- 8              |
| C229 2857 | Gear - 14Z/42Z               | 35- 18             |
| C229 2858 | Separation Control Rack      | 35- 21             |
| C229 2858 | Separation Control Rack      | 33- 6              |
| C229 2860 | Spring Bracket               | 33- 4              |
| C229 2861 | Paper Pressuer Spring        | 33- 10             |
| C229 2862 | Paper Pressuer Lever         | 33- 11             |
| C229 2863 | Bushing                      | 33- 9              |
| C229 2864 | Paper Sensor Feller          | 33- 25             |
| C229 2866 | Height Sensor Bracket        | 33- 21             |
| C229 2870 | Paper Pressure Lever Ass'y   | 35- 25             |
| C229 2871 | Paper Guide Plate            | 35- 19             |

| Part No.  | Description                       | Page and Index No. |
|-----------|-----------------------------------|--------------------|
| C229 2877 | Paper Pressuer Lever              | 35- 20             |
| C229 2878 | Pressuer Spring                   | 35- 16             |
| C229 2884 | Separation Pressure Motor Bracket | 35- 13             |
| C229 2893 | Right Pressuer Arm                | 37- 12             |
| C229 2894 | Left Pressuer Arm                 | 37- 10             |
| C229 2898 | Pressure Release Lock Arm - Right | 37- 13             |
| C229 2899 | Pressure Release Lock Arm - Left  | 37- 9              |
| C229 2900 | Pressure Release Shaft            | 37- 11             |
| C229 2904 | Feed Roller - Upper               | 37- 8              |
| C229 2906 | Lower Registration Roller         | 37- 22             |
| C229 2907 | Registration Roller Pulley - 14Z  | 37- 25             |
| C229 2914 | Guide Plate Sheet                 | 37- 27             |
| C229 2919 | Guide Plate Spacer                | 37- 19             |
| C229 2921 | Registration Sensor Bracket       | 37- 14             |
| C229 2922 | Right Bracket - Guide Plate       | 37- 23             |
| C229 2923 | Left Bracket - Guide Plate        | 37- 21             |
| C229 2927 | Pressuer Release Gear             | 27- 15             |
| C229 2929 | Pressuer Release Cam              | 27- 16             |
| C229 2930 | Guide Plate                       | 27- 14             |
| C229 2931 | Pulley Cover                      | 27- 13             |
| C229 2935 | Drum Master Sensor Ass'y          | 37- 6              |
| C229 2941 | Master Sensor Bracket             | 37- 29             |
| C229 2944 | Drum Master Senser Sub-ass'y      | 37- 3              |
| C229 2948 | Timing Belt - 80-XL-050           | 27- 21             |
| C229 2949 | Timing Belt - 75-MXL-64           | 33- 26             |
| C229 2950 | Feed Rooler Drive Pulley          | 33- 32             |
| C229 2951 | Decal - Paper Size                | 95- 2              |
| C229 2951 | Decal - Paper Size                | 29- 17             |
| C229 2952 | Spring Plate - Paper Tray         | 29- 16             |
| C229 2954 | Spring Plate                      | 29- 27             |
| C229 2955 | Ground Plate                      | 29- 15             |
| C229 2958 | Paper Guide Plate                 | 37- 28             |
| C229 3011 | Clamp Pawl Ass'y                  | 41- 16             |
| C229 3012 | Air Knife Ass'y                   | 47- 21             |
| C229 3092 | Front Encoder Flange              | 41- 1              |



| Part No.  | Description                    | Page and Index No. |
|-----------|--------------------------------|--------------------|
| C229 3093 | Encoder                        | 41- 11             |
| C229 3094 | Encoder Holder                 | 41- 9              |
| C229 3096 | Paper Feed Acuator             | 41- 8              |
| C229 3100 | Clamp Ass'y                    | 41- 5              |
| C229 3125 | Cam Shaft                      | 45- 24             |
| C229 3133 | Control Plate - Cam Drive      | 45- 41             |
| C229 3135 | Bushing - Cam Shaft            | 45- 6              |
| C229 3143 | Rack - Exchange Ass'y          | 45- 12             |
| C229 3145 | Worm Wheel - 50Z/16Z           | 45- 16             |
| C229 3145 | Worm Wheel - 50Z/16Z           | 49- 25             |
| C229 3146 | Gear - 80Z/16Z                 | 45- 15             |
| C229 3148 | Bushing                        | 45- 13             |
| C229 3150 | Job Motor Bracket              | 45- 43             |
| C229 3161 | Pressuer Shaft Bracket - Front | 43- 3              |
| C229 3163 | Solenoid Bracket               | 43- 13             |
| C229 3164 | Release Shaft Arm              | 43- 8              |
| C229 3165 | Pressuer Release Shaft         | 43- 6              |
| C229 3166 | Release Spring                 | 43- 9              |
| C229 3181 | Adjusting Cam                  | 23- 6              |
| C229 3182 | Pressure Cylinder Gear         | 23- 5              |
| C229 3183 | Pressure Cylinder Sub Gear     | 23- 2              |
| C229 3184 | Stopper Flange                 | 23- 4              |
| C229 3185 | Gear Adjuster                  | 23- 1              |
| C229 3186 | Pressure Spring                | 23- 3              |
| C229 3194 | Pressuer Cylinder Gear         | 45- 42             |
| C229 3195 | Gear Spacer                    | 45- 34             |
| C229 3196 | Joint Flange                   | 41- 7              |
| C229 3196 | Joint Flange                   | 23- 14             |
| C229 3205 | Position Shaft                 | 43- 17             |
| C229 3206 | Shaft Stopper                  | 43- 1              |
| C229 3207 | Rimg - M14                     | 43- 12             |
| C229 3220 | Front Arm                      | 43- 11             |
| C229 3226 | Pressuer Cylinder Shaft Holder | 43- 14             |
| C229 3227 | Pressuer Cylinder Shaft Guide  | 43- 16             |
| C229 3230 | Rear Arm                       | 43- 23             |

| Part No.  | Description              | Page and Index No |
|-----------|--------------------------|-------------------|
| C229 3234 | Encoder Guide            | 43- 22            |
| C229 3240 | Clamp Plate              | 41- 18            |
| C229 3249 | Tension Spring           | 41- 12            |
| C229 3250 | Front Clamp Arm          | 41- 4             |
| C229 3254 | Rear Clamp Arm           | 41- 15            |
| C229 3256 | Collar                   | 41- 14            |
| C229 3258 | Clamp Shaft              | 41- 6             |
| C229 3259 | Clamp Base               | 41- 19            |
| C229 3260 | Clamp Cam                | 43- 10            |
| C229 3262 | Pawl Exhaust Clamp       | 41- 13            |
| C229 3263 | Magnetic Clamp           | 41- 17            |
| C229 3272 | Pressuer Spring          | 43- 5             |
| C229 3275 | Front Spring Bracket     | 43- 4             |
| C229 3276 | Rear Spring Bracket      | 43- 24            |
| C229 3301 | Air Knife Base           | 47- 2             |
| C229 3302 | Air Knife Duct           | 47- 1             |
| C229 3303 | Paper Exit Cover         | 47- 4             |
| C229 3400 | Maser Eject Roller Ass'y | 77- 34            |
| C229 3401 | Maser Eject Box Ass'y    | 79- 27            |
| C229 3402 | Maser Eject Drive Ass'y  | 75- 28            |
| C229 3450 | Transport Roller         | 77- 35            |
| C229 3451 | Lower Transport Roller   | 77- 28            |
| C229 3453 | Upper Transport Roller   | 77- 26            |
| C229 3454 | Separation Roller        | 77- 27            |
| C229 3455 | Roller Stay              | 77- 16            |
| C229 3456 | Middle Guide             | 77- 25            |
| C229 3457 | Rear Upper Guide         | 77- 23            |
| C229 3458 | Front Upper Guide        | 77- 24            |
| C229 3459 | Pressure Spring          | 77- 7             |
| C229 3462 | Rear Side Plate          | 77- 18            |
| C229 3464 | Lower Stay               | 77- 32            |
| C229 3465 | Transport Lower Guide    | 77- 31            |
| C229 3467 | Sensor Bracket           | 77- 29            |
| C229 3471 | Roller Unit Knob         | 77- 9             |
| C229 3474 | Roller Unit Lock Arm     | 77- 11            |

| Part No.  | Description                  | Page and Index No. |
|-----------|------------------------------|--------------------|
| C229 3476 | Spring Plate                 | 77- 8              |
| C229 3478 | Roller Unit Arm              | 77- 10             |
| C229 3481 | Callar - 6mm                 | 77- 22             |
| C229 3482 | Pressuer Spring              | 77- 17             |
| C229 3485 | Upper Slide Rail             | 77- 12             |
| C229 3486 | Bushing - Maser Eject Roller | 77- 6              |
| C229 3487 | Front Slide Plate            | 77- 1              |
| C229 3488 | Sensor Harness Cover         | 77- 33             |
| C229 3491 | Upper Case                   | 79- 25             |
| C229 3493 | Master Press Arm             | 79- 17             |
| C229 3494 | Master Press Arm Shaft       | 79- 20             |
| C229 3495 | Master Stripper Pawl         | 79- 15             |
| C229 3496 | Master Stripper Pawl Holder  | 79- 16             |
| C229 3497 | Eject Box Guide Ass'y        | 79- 8              |
| C229 3499 | Eject Box Lower Stay         | 79- 13             |
| C229 3501 | Eject Box Slider             | 79- 9              |
| C229 3502 | Slide Lock Lever             | 79- 11             |
| C229 3505 | Upper Case Release Lever     | 79- 24             |
| C229 3508 | Release Spring               | 79- 23             |
| C229 3509 | Upper Case Bracket           | 79- 22             |
| C229 3510 | Maser Eject Cover            | 79- 5              |
| C229 3513 | Upper Case Grip              | 79- 21             |
| C229 3514 | Grounding Plate              | 79- 14             |
| C229 3517 | Lower Left Case              | 79- 18             |
| C229 3518 | Eject Box Upper Stay         | 79- 12             |
| C229 3521 | Mster Eject Box Grip         | 79- 1              |
| C229 3522 | Stepped Screw                | 79- 4              |
| C229 3522 | Stepped Screw                | 27- 5              |
| C229 3523 | Eject Box Lock Arm           | 79- 6              |
| C229 3524 | Eject Box Lock Lever         | 79- 2              |
| C229 3525 | Release Spring               | 79- 3              |
| C229 3526 | Eject Box Grip Bracket       | 79- 7              |
| C229 3528 | Decal - Maser Eject Box      | 95- 6              |
| C229 3528 | Decal - Maser Eject Box      | 79- 26             |
| C229 3529 | Decal - Delicvery Table Slid | 95- 4              |

| Part No.  | Description                        | Page and Index No |
|-----------|------------------------------------|-------------------|
| C229 3529 | Decal - Delicvery Table Slid       | 79- 10            |
| C229 3530 | Driven Pulley - 18Z                | 77- 4             |
| C229 3531 | Gear/pulley - 26Z/16T              | 77- 5             |
| C229 3532 | Timing Belt - S2M76                | 77- 3             |
| C229 3533 | Belt Tension Bracket               | 77- 14            |
| C229 3536 | Belt Tension Callar                | 77- 15            |
| C229 3537 | Transport Lower Gear - 26Z         | 77- 2             |
| C229 3541 | Joint Pressuer Spring              | 75- 3             |
| C229 3542 | 3rd Gear - 22Z                     | 75- 18            |
| C229 3543 | Mortor Bracket                     | 75- 26            |
| C229 3544 | Gear Pulley - 18Z/60Z              | 75- 20            |
| C229 3545 | 2nd Gear - 8Z/32Z                  | 75- 17            |
| C229 3547 | Joint Cam                          | 75- 2             |
| C229 3548 | Joint Shaft                        | 75- 1             |
| C229 3549 | Joint Gear Bracket                 | 75- 5             |
| C229 3551 | Timing Belt - S2M160               | 75- 19            |
| C229 3556 | Torque Limmiter                    | 75- 24            |
| C229 3557 | Gear - 17Z                         | 75- 23            |
| C229 3558 | 2nd Gear - 18Z/49Z                 | 75- 25            |
| C229 3559 | Maser Eject Cam                    | 75- 14            |
| C229 3563 | Motor Bracket                      | 75- 16            |
| C229 3564 | Eject Cam Holder                   | 75- 11            |
| C229 3565 | Maser Eject Cam Spring             | 75- 13            |
| C229 3566 | Bushing - 8mm                      | 75- 12            |
| C229 3570 | Rear Side Plate                    | 75- 21            |
| C229 3582 | Positioning Sensor Bracket         | 75- 10            |
| C229 3585 | Sector Gear                        | 45- 35            |
| C229 3586 | Driven Gear                        | 45- 36            |
| C229 3589 | Slide Rail Stopper                 | 77- 19            |
| C229 3590 | Upper Stay                         | 19- 16            |
| C229 3596 | Lower Guide Stay - Transfer Roller | 19- 14            |
| C229 3597 | Lower Stay                         | 19- 13            |
| C229 3609 | Master Edge Guide                  | 77- 13            |
| C229 3615 | Upper Guide - Eject Roller         | 77- 36            |
| C229 3850 | Vacuum Plate                       | 49- 6             |

| Part No.  | Description                     | Page and Index No. |
|-----------|---------------------------------|--------------------|
| C229 3856 | Antistatic Brush                | 47- 13             |
| C229 3857 | Left Support Plate              | 47- 6              |
| C229 3858 | Right Support Plate             | 47- 14             |
| C229 3860 | Transport Belt Case             | 49- 2              |
| C229 3871 | Transport Belt Shaft            | 49- 27             |
| C229 3872 | Timing Pulley                   | 49- 13             |
| C229 3873 | Transport Belt Roller           | 49- 26             |
| C229 3874 | Transport Belt                  | 49- 3              |
| C229 3875 | Transport Belt Drive Shaft      | 49- 12             |
| C229 3877 | Center Roller - Delivery Table  | 49- 4              |
| C229 3878 | Knob                            | 49- 1              |
| C229 3891 | Grounding Plate                 | 49- 17             |
| C229 3892 | Vacuume Fan Base                | 49- 20             |
| C229 3893 | Grounding Plate                 | 49- 16             |
| C229 3894 | Adjusting Plate                 | 49- 29             |
| C229 3900 | Front Vacuum Plate              | 49- 5              |
| C229 3901 | Rear Vacuum Plate               | 49- 7              |
| C229 3909 | Vacuum Plate Guide Shaft        | 49- 9              |
| C229 3911 | Gear - 25Z/51Z                  | 49- 24             |
| C229 3912 | Vacuum Plate Guide Arm          | 49- 8              |
| C229 3913 | Modor Bracket                   | 49- 22             |
| C229 3930 | Gear Holder                     | 45- 30             |
| C229 3942 | Exit Pawl                       | 49- 10             |
| C229 3943 | Pick-off Pawl Adjuster          | 49- 14             |
| C229 3944 | Stepped Screw                   | 49- 11             |
| C229 3951 | Lower Paper Exit Sensor Bracket | 45- 22             |
| C229 3952 | Paper Exit Giude Plate          | 43- 7              |
| C229 3961 | Drive Pulley                    | 45- 27             |
| C229 3966 | Drive Gear                      | 45- 28             |
| C229 3968 | Paper Exit Pawl Lever           | 19- 12             |
| C229 3973 | Paper Exit Pawl Bracket         | 19- 10             |
| C229 3975 | Paper Exit Pawl Spring          | 19- 11             |
| C229 3976 | Lever Stoper                    | 45- 39             |
| C229 3977 | Paper Exit Pawl Shaft           | 19- 9              |
| C229 3978 | Paper Exit Pawl                 | 19- 7              |

| Part No.  | Description                         | Page and Index No |
|-----------|-------------------------------------|-------------------|
| C229 4001 | Eject Clamper Open Arm              | 27- 1             |
| C229 4050 | Sector Guide Ass'y                  | 27- 2             |
| C229 4051 | Joint Link                          | 27- 3             |
| C229 4052 | Sector Gear                         | 27- 6             |
| C229 4053 | Guide Pin                           | 27- 4             |
| C229 4054 | Sector Arm                          | 27- 8             |
| C229 4056 | Worm Gear                           | 27- 10            |
| C229 4057 | Clamper Motor Bracket               | 27- 11            |
| C229 4480 | Front Bracket - Paper Delivery Tabl | 47- 20            |
| C229 4485 | Rear Bracket - Paper Delivery Table | 47- 19            |
| C229 4491 | Support Bracket                     | 47- 11            |
| C229 4492 | Front Guide                         | 47- 10            |
| C229 4495 | Paper Guide                         | 47- 8             |
| C229 4496 | Rear Guide                          | 47- 9             |
| C229 4650 | Separator Lift Motor Ass'y          | 51- 25            |
| C229 4671 | Sensor Bracket                      | 51- 5             |
| C229 4673 | Separator Cover                     | 47- 17            |
| C229 4674 | Separator Cover Hinge               | 47- 16            |
| C229 4675 | Separator Cover Shaft               | 47- 15            |
| C229 4676 | Separator Cover Spring              | 47- 18            |
| C229 4677 | Cushion                             | 47- 22            |
| C229 4701 | Lift Motor Bracket                  | 51- 8             |
| C229 4702 | Lift Morot Gurd Plate               | 51- 1             |
| C229 4703 | Separator Slider Bracket            | 51- 24            |
| C229 4708 | Screw Shaft                         | 51- 10            |
| C229 4709 | Screw Shaft Boss                    | 51- 14            |
| C229 4711 | Timing Pulley                       | 51- 11            |
| C229 4712 | Timing Belt                         | 51- 7             |
| C229 4715 | Slide Drive Gear                    | 51- 13            |
| C229 4718 | Slider Holder                       | 51- 16            |
| C229 4724 | Harness Clamp                       | 51- 9             |
| C229 4725 | Separator Slider                    | 51- 17            |
| C229 4726 | Separator Arm Link                  | 51- 19            |
| C229 4729 | Separator Arm                       | 51- 21            |
| C229 4730 | Separator Arm Holder                | 51- 22            |

| Part No.  | Description                       | Page and Index No. |
|-----------|-----------------------------------|--------------------|
| C229 4733 | Arm Spring                        | 51- 20             |
| C229 4734 | Slider Spring Plate               | 51- 15             |
| C229 5140 | Ink Detection Board               | 53- 15             |
| C229 5153 | Job Separator Board               | 51- 18             |
| C229 5155 | Paper Size Sensor Board           | 29- 8              |
| C229 5157 | Paper Pressure Board              | 33- 13             |
| C229 5157 | Paper Pressure Board              | 35- 14             |
| C229 5206 | Paper Pressure Harness            | 33- 16             |
| C229 5208 | Relay Harness - Ink Sensor        | 35- 24             |
| C229 5212 | Ink Sensor Harness                | 53- 8              |
| C229 5214 | Drum Harness                      | 59- 15             |
| C229 5216 | Main Switch Harness               | 21- 3              |
| C229 5216 | Main Switch Harness               | 81- 13             |
| C229 5220 | Scanner Harness                   | 63- 6              |
| C229 5222 | Vacuume Fan Harness               | 49- 19             |
| C229 5224 | Drum Hp Sensor Harness            | 45- 32             |
| C229 5228 | Relay Harness - Master Eject      | 75- 7              |
| C229 5232 | Encoder Harness                   | 37- 17             |
| C229 5232 | Encoder Harness                   | 25- 23             |
| C229 5234 | Air Knife Harness                 | 47- 3              |
| C229 5238 | Separation Pressure Motor Harness | 35- 11             |
| C229 5240 | Paper Feed Harness                | 37- 15             |
| C229 5254 | Harness - Master Sensor           | 77- 20             |
| C229 5256 | Harness - Oil Supply Motor        | 59- 1              |
| C229 5260 | Grounding Wire                    | 41- 2              |
| C229 5262 | Paper Pressure Harness            | 45- 23             |
| C229 5269 | Job Separator Harness             | 51- 2              |
| C229 5270 | Harness - Job Separator           | 51- 23             |
| C229 5274 | ADF Relay Harness                 | 83- 9              |
| C229 5351 | IC - UPD65640GF                   | 89- 4              |
| C229 5353 | IC - TC160G33AF-1470              | 89- 5              |
| C229 5611 | Power Supply Cord Bracket         | 83- 8              |
| C229 5613 | Power Supply Cord Cover           | 83- 14             |
| C229 5614 | Total Counter Bracket             | 21- 17             |
| C229 5615 | Power Supply Unit Bracket         | 83- 11             |

| Part No.  | Description                 | Page and Index No |
|-----------|-----------------------------|-------------------|
| C229 5619 | Lower Bracket - MPU Board   | 83- 15            |
| C229 5621 | PSU Cover                   | 81- 11            |
| C229 5624 | Key Counter Bracket         | 83- 2             |
| C229 5625 | Interface Bracket           | 83- 6             |
| C229 5626 | Upper Bracket - MPU Board   | 83- 3             |
| C229 5628 | Board Holder Stay           | 25- 1             |
| C229 5631 | Main Switch Bracket         | 21- 4             |
| C229 5633 | Rear Grounding Plate        | 83- 10            |
| C229 5636 | Flate Cable Bracket         | 83- 20            |
| C229 5638 | Grounding Plate             | 19- 19            |
| C229 5644 | Safety Switch Bracket       | 21- 5             |
| C229 5645 | Safety Switch Lever         | 21- 8             |
| C229 5646 | Safety Switch Spring        | 21- 9             |
| C229 5656 | Upper Ground Plate - PCB    | 81- 5             |
| C229 5657 | Lower Grounding Plate - PCB | 81- 8             |
| C229 5730 | Paper Table Motor Bracket   | 31- 30            |
| C229 5731 | Paper Feed Motor Bracket    | 27- 20            |
| C229 5732 | Feed Pressuer Morot Bracket | 33- 14            |
| C229 5733 | Harness Cover - Paper Feed  | 33- 2             |
| C229 5739 | Master Sensor Cover         | 37- 5             |
| C229 5800 | Main Motor - DC24V 100W     | 23- 30            |
| C229 5802 | Stepper Motor               | 73- 21            |
| C229 5803 | DC Motor - 50W              | 69- 18            |
| C229 5803 | DC Motor - 50W              | 27- 12            |
| C229 5803 | DC Motor - 50W              | 75- 15            |
| C229 5803 | DC Motor - 50W              | 57- 28            |
| C229 5804 | DC Motor - 20W              | 49- 23            |
| C229 5804 | DC Motor - 20W              | 59- 3             |
| C229 5804 | DC Motor - 20W              | 45- 18            |
| C229 5805 | Stepper Motor - DC24V       | 51- 12            |
| C229 5807 | Photosensor - GP2A25        | 69- 22            |
| C229 5807 | Photosensor - GP2A25        | 45- 21            |
| C229 5807 | Photosensor - GP2A25        | 29- 24            |
| C229 5807 | Photosensor - GP2A25        | 39- 9             |
| C229 5807 | Photosensor - GP2A25        | 37- 16            |

| Part No.  | Description                           | Page and Index No. |
|-----------|---------------------------------------|--------------------|
| C229 5807 | Photosensor - GP2A25                  | 31- 13             |
| C229 5810 | Magnetic Clutch                       | 71- 17             |
| C229 5811 | DC Motor - 50W                        | 75- 27             |
| C229 5812 | Print Counter                         | 21- 18             |
| C229 5813 | Switch                                | 51- 26             |
| C229 5814 | DC Motor - 24V                        | 31- 11             |
| C229 5820 | DC Motor - 20W                        | 57- 42             |
| C229 5820 | DC Motor - 20W                        | 25- 5              |
| C229 5823 | DC Motor - 20W                        | 51- 3              |
| C229 5824 | Fam Motor - DC24V 0.6A                | 47- 5              |
| C229 5825 | Master Sensor                         | 37- 4              |
| C229 5825 | Master Sensor                         | 77- 30             |
| C229 5825 | Master Sensor                         | 35- 1              |
| C229 5825 | Master Sensor                         | 49- 15             |
| C229 5830 | Release Solenoid                      | 43- 18             |
| C229 5832 | Flat Cable Cover                      | 83- 19             |
| C229 5835 | Power Supply Cord - 230V              | 83- 16             |
| C229 5840 | Main Motor Gear                       | 23- 11             |
| C229 9000 | Drive Adjustment Tool Kit             | 97- 1              |
| C230 2178 | Stepped Screw                         | 71- 36             |
| C230 2198 | Magnet Catch                          | 73- 31             |
| C230 2199 | Magnet Catch Spacer                   | 73- 36             |
| C233 1035 | Torque Limiter Drive Ass'y            | 23- 35             |
| C233 1036 | Torque Limiter Ass'y                  | 23- 36             |
| C233 1065 | Screw M3x4                            | 23- 34             |
| C233 1074 | Torque Limiter 55kgf%cm               | 23- 28             |
| C233 1079 | Shielded Sleeve - Torque Limiter      | 23- 32             |
| C233 1138 | Drive Shaft                           | 45- 37             |
| C233 1290 | Decal - Caption LE                    | 13- 21             |
| C233 1295 | Decal - Ink Supply                    | 13- 22             |
| C233 1486 | Key Top - Clear Mord                  | 15- 11             |
| C233 2883 | Separation Pad Ass'y                  | 35- 15             |
| C233 3191 | Joint Core                            | 23- 13             |
| C233 3210 | Pressure Cylinder Shaft Guide - Small | 43- 26             |
| C233 3810 | Hale Unit:ass'y                       | 49- 28             |

| Part No.  | Description                      | Page and Index No |
|-----------|----------------------------------|-------------------|
| C233 3902 | Discharge Brush                  | 49- 30            |
| C233 5150 | Main Motor Control Board Ass'y   | 81- 14            |
| C277 1000 | Option Drum Case Ass'y           | 85- 1             |
| C403 1899 | Rubber Bushing - M4              | 27- 19            |
| C577 1251 | Decal - Drum Case                | 85- *             |
| C580 1011 | Interface Board                  | 81- 1             |
| C580 1500 | Relay Harness                    | 83- 5             |
| C580 1550 | Stepped Screw - M2.6             | 83- 4             |
| C587 2449 | Metal Screen Assy - A4           | 55- 8             |
| C587 2543 | Front Shield - Metal Screen - A4 | 55- 7             |
| C587 2547 | Rear Shield - Metal Screen - A4  | 55- 6             |
| C587 2670 | Seal Assy - A4                   | 55- 4             |
| G011 3305 | Gear - 16T                       | 29- 22            |
| H012 1181 | Bushing- 6mm                     | 39- 24            |
| H012 1181 | Bushing- 6mm                     | 69- 12            |
| H012 1181 | Bushing- 6mm                     | 71- 9             |
| H053 1600 | Bushing - 6mm                    | 71- 6             |
| H053 1600 | Bushing - 6mm                    | 73- 12            |
| H522 1100 | Sensor Guide                     | 45- 45            |

| Part No.  | Description                    | Page and Index No. |
|-----------|--------------------------------|--------------------|
| 5053 0223 | Bushing - 8mm                  | 33- 18             |
| 5053 0223 | Bushing - 8mm                  | 19- 8              |
| 5053 0223 | Bushing - 8mm                  | 39- 25             |
| 5053 0223 | Bushing - 8mm                  | 31- 15             |
| 5053 0419 | Bushing - 10mm                 | 25- 2              |
| 5053 0447 | Bushing - 6mm                  | 25- 19             |
| 5053 0447 | Bushing - 6mm                  | 43- 2              |
| 5054 0536 | Magnet Catch Ass'y             | 59- 6              |
| 5054 0536 | Magnet Catch Ass'y             | 53- 12             |
| 5054 0536 | Magnet Catch Ass'y             | 29- 4              |
| 5070 0923 | Spring Washer - Rotating Table | 29- 10             |
| 5151 1009 | Shoulder Screw - M4            | 31- 16             |
| 5205 5250 | LED Sensor Type S              | 43- 21             |
| 5215 1980 | Exposure Glass - A3t-3.2       | 13- 10             |
| 5219 1957 | Stepped Screw - M4             | 33- 31             |
| 5304 1639 | Bushing - 8mm                  | 45- 5              |
| 5324 1658 | Bushing- 4x8x4.5mm             | 51- 4              |
| 5350 1754 | Stud - M5x4                    | 55- 18             |
| 5419 5714 | Stepped Screw - M4             | 33- 5              |
| 5419 5714 | Stepped Screw - M4             | 35- 22             |
| 5442 1924 | Exposure Glass Cushion         | 63- 13             |
| 5443 2713 | Wave Washer                    | 29- 23             |
| 5447 2681 | Snap Ring                      | 27- 7              |
| 5447 2681 | Snap Ring                      | 77- 21             |
| 5447 2769 | Stepped Screw                  | 39- 14             |
| 5448 2804 | Platen Cover Sheet             | 17- 8              |
| 5506 1536 | Screw - M4X6                   | 29- 9              |
| 5600 1403 | Ball                           | 57- 13             |
| 5606 2310 | Roller                         | 31- 5              |
| 5607 3927 | Stepped Screw - M3x8           | 31- 17             |
| 5875 2088 | Shoulder Screw - M4            | 53- 14             |

| Part No.   | Description                       | Page and Index No |
|------------|-----------------------------------|-------------------|
| 0241 6060B | Screw - M1.6X6                    | 51-114            |
| 0242 0080Z | Screw - M2X8                      | 77-106            |
| 0252 0080Z | Philips Pan Head Screw - M2x8     | 49-108            |
| 0312 5050Z | Philips Pan Head Screw - M2.5x5   | 61-106            |
| 0312 5050Z | Philips Pan Head Screw - M2.5x5   | 41-107            |
| 0313 0040Z | Philips Pan Head Screw - M3x4     | 61-102            |
| 0313 0060B | Philips Pan Head Screw - M3x6     | 35-105            |
| 0313 0060B | Philips Pan Head Screw - M3x6     | 81-112            |
| 0313 0060B | Philips Pan Head Screw - M3x6     | 45-109            |
| 0313 0080B | Philips Pan Head Screw - M3x8     | 77-105            |
| 0313 0080B | Philips Pan Head Screw - M3x8     | 73-102            |
| 0313 0120B | Philips Pan Head Screw - M3x12    | 23-111            |
| 0313 0350B | Philips Pan Head Screw - M3x35    | 21-106            |
| 0313 0350B | Philips Pan Head Screw - M3x35    | 73-112            |
| 0314 0060Z | Philips Pan Head Screw - M4x6     | 57-112            |
| 0314 0060Z | Philips Pan Head Screw - M4x6     | 61-105            |
| 0314 0080B | Philips Pan Head Screw - M4x8     | 73-108            |
| 0314 0080Z | Philips Screw - 4x8               | 61-111            |
| 0314 0080Z | Philips Screw - 4x8               | 55-108            |
| 0314 0120Z | Philips Screw - 4x12              | 57-101            |
| 0314 0160B | Philips Pan Head Screw - M4x16    | 47-104            |
| 0314 0160B | Philips Pan Head Screw - M4x16    | 23-103            |
| 0314 0350Z | Screw - M4X35                     | 49-111            |
| 0323 0060Z | Philips Sunk Screw - M3x6         | 53-114            |
| 0323 0060Z | Philips Sunk Screw - M3x6         | 61-101            |
| 0323 0100Z | Philips Sunken Head Screw - M3x10 | 13-108            |
| 0323 0100Z | Philips Sunken Head Screw - M3x10 | 83-101            |
| 0324 0140B | Philips Sunken Head Screw - M4x14 | 67-105            |
| 0352 0080B | Screw M2.5x8                      | 69-103            |
| 0352 0080B | Screw M2.5x8                      | 37-107            |
| 0352 0080B | Screw M2.5x8                      | 35-102            |
| 0352 5040B | Bind Screw - M2.5x4               | 51-107            |
| 0353 0040B | Screw - M3X4                      | 59-101            |
| 0353 0040B | Screw - M3X4                      | 69-105            |
| 0353 0040B | Screw - M3X4                      | 43-109            |

| Part No.   | Description                      | Page and Index No. |
|------------|----------------------------------|--------------------|
| 0353 0040B | Screw - M3X4                     | 25-109             |
| 0353 0040B | Screw - M3X4                     | 75-105             |
| 0353 0040B | Screw - M3X4                     | 45-106             |
| 0353 0040B | Screw - M3X4                     | 27-104             |
| 0353 0040B | Screw - M3X4                     | 57-106             |
| 0353 0040B | Screw - M3X4                     | 49-110             |
| 0353 0040B | Screw - M3X4                     | 61-107             |
| 0353 0040B | Screw - M3X4                     | 33-105             |
| 0353 0040B | Screw - M3X4                     | 31-107             |
| 0353 0040B | Screw - M3X4                     | 31-104             |
| 0353 0040B | Screw - M3X4                     | 57-103             |
| 0353 0040B | Screw - M3X4                     | 71-108             |
| 0353 0040B | Screw - M3X4                     | 35-106             |
| 0353 0040B | Screw - M3X4                     | 73-113             |
| 0353 0040Z | Binding Head Screw M3x4 (100pcs) | 13-106             |
| 0353 0050B | Philips Truss Head Screw - M3x5  | 21-103             |
| 0353 0050B | Philips Truss Head Screw - M3x5  | 51-105             |
| 0353 0050F | Tapping Screw - M3x5             | 63-102             |
| 0353 0060B | Philips Pan Head Screw - M3x6    | 29-103             |
| 0353 0060B | Philips Pan Head Screw - M3x6    | 69-102             |
| 0353 0060Z | Screw - M3X6                     | 71-105             |
| 0353 0060Z | Screw - M3X6                     | 53-109             |
| 0353 0060Z | Screw - M3X6                     | 55-102             |
| 0353 0060Z | Screw - M3X6                     | 73-114             |
| 0353 0060Z | Screw - M3X6                     | 59-108             |
| 0353 0100Z | Bind Screw - M3x10               | 55-105             |
| 0354 0040Z | Screw - M4X4                     | 59-110             |
| 0354 0040Z | Screw - M4X4                     | 55-103             |
| 0354 0050B | Bind Screw - M4x5                | 31-101             |
| 0354 0060B | Screw - M4X6                     | 45-105             |
| 0354 0060B | Screw - M4X6                     | 73-103             |
| 0354 0060B | Screw - M4X6                     | 37-109             |
| 0354 0060B | Screw - M4X6                     | 67-106             |
| 0354 0060Z | Philips Truss Head Screw - M4x6  | 55-101             |
| 0354 0080B | Screw - M4X8                     | 33-111             |

| Part No.   | Description                         | Page and Index No. |
|------------|-------------------------------------|--------------------|
| 0354 0080B | Screw - M4X8                        | 45-114             |
| 0354 0140B | Screw - M4X14                       | 27-110             |
| 0434 0100Z | Pan Head Self-tapping Screw - M4x10 | 41-109             |
| 0450 3006B | Tapping Screw - M3x6                | 51-113             |
| 0450 3006B | Tapping Screw - M3x6                | 29-104             |
| 0450 3006B | Tapping Screw - M3x6                | 35-107             |
| 0450 3008B | Tapping Screw - M3x8                | 79-103             |
| 0450 3008B | Tapping Screw - M3x8                | 67-104             |
| 0450 3008B | Tapping Screw - M3x8                | 57-102             |
| 0450 3008H | Tapping Screw M3x8                  | 11-103             |
| 0450 3008W | Philips Tapping Screw - M3x8        | 13-102             |
| 0450 3010B | Tapping Screw - M3x10               | 63-103             |
| 0450 4006B | Tapping Screw - 4x6                 | 33-104             |
| 0450 4008B | Tapping Screw - 4x8                 | 11-101             |
| 0450 4008B | Tapping Screw - 4x8                 | 41-102             |
| 0450 4008B | Tapping Screw - 4x8                 | 49-107             |
| 0450 4008B | Tapping Screw - 4x8                 | 43-105             |
| 0450 4008B | Tapping Screw - 4x8                 | 59-105             |
| 0450 4010B | Tapping Screw - 4x10                | 11-102             |
| 0450 4010B | Tapping Screw - 4x10                | 27-108             |
| 0450 4012B | Tapping Screw - M4x12               | 17-101             |
| 0450 4025B | Tapping Screw With Washer - M4x25   | 31-110             |
| 0451 3006B | Tapping Screw - M3x6                | 21-111             |
| 0451 3006B | Tapping Screw - M3x6                | 67-103             |
| 0451 3006B | Tapping Screw - M3x6                | 79-104             |
| 0451 3006B | Tapping Screw - M3x6                | 39-104             |
| 0451 3006B | Tapping Screw - M3x6                | 37-103             |
| 0451 3006B | Tapping Screw - M3x6                | 35-103             |
| 0451 3006B | Tapping Screw - M3x6                | 19-104             |
| 0451 3006B | Tapping Screw - M3x6                | 81-101             |
| 0451 3006B | Tapping Screw - M3x6                | 21-109             |
| 0451 3006B | Tapping Screw - M3x6                | 77-102             |
| 0451 3006B | Tapping Screw - M3x6                | 63-101             |
| 0451 3006B | Tapping Screw - M3x6                | 71-101             |
| 0451 3006B | Tapping Screw - M3x6                | 41-104             |

| Part No.   | Description          | Page and Index No. |
|------------|----------------------|--------------------|
| 0451 3006B | Tapping Screw - M3x6 | 73-101             |
| 0451 3006B | Tapping Screw - M3x6 | 51-101             |
| 0451 3006B | Tapping Screw - M3x6 | 69-101             |
| 0451 3006B | Tapping Screw - M3x6 | 13-105             |
| 0451 3006B | Tapping Screw - M3x6 | 43-103             |
| 0451 3006B | Tapping Screw - M3x6 | 31-105             |
| 0451 3006B | Tapping Screw - M3x6 | 25-110             |
| 0451 3006B | Tapping Screw - M3x6 | 27-102             |
| 0451 3006B | Tapping Screw - M3x6 | 75-103             |
| 0451 3006B | Tapping Screw - M3x6 | 83-105             |
| 0451 3006B | Tapping Screw - M3x6 | 65-101             |
| 0451 3006H | Tapping Screw - 3x6  | 47-105             |
| 0451 3008B | Tapping Screw - M3x8 | 65-104             |
| 0451 3008B | Tapping Screw - M3x8 | 63-107             |
| 0451 3008B | Tapping Screw - M3x8 | 51-111             |
| 0451 3008H | Tapping Screw - 3x8  | 11-107             |
| 0451 4006B | Tapping Screw - 4x6  | 51-104             |
| 0451 4006B | Tapping Screw - 4x6  | 45-101             |
| 0451 4006B | Tapping Screw - 4x6  | 81-111             |
| 0451 4006B | Tapping Screw - 4x6  | 13-104             |
| 0451 4006B | Tapping Screw - 4x6  | 25-101             |
| 0451 4006B | Tapping Screw - 4x6  | 43-101             |
| 0451 4006B | Tapping Screw - 4x6  | 83-102             |
| 0451 4006B | Tapping Screw - 4x6  | 33-101             |
| 0451 4006B | Tapping Screw - 4x6  | 77-104             |
| 0451 4006B | Tapping Screw - 4x6  | 23-107             |
| 0451 4006B | Tapping Screw - 4x6  | 31-102             |
| 0451 4006B | Tapping Screw - 4x6  | 19-103             |
| 0451 4006B | Tapping Screw - 4x6  | 39-107             |
| 0451 4006B | Tapping Screw - 4x6  | 27-105             |
| 0451 4006B | Tapping Screw - 4x6  | 35-101             |
| 0451 4006B | Tapping Screw - 4x6  | 29-101             |
| 0451 4006B | Tapping Screw - 4x6  | 75-106             |
| 0451 4006B | Tapping Screw - 4x6  | 47-102             |
| 0451 4006B | Tapping Screw - 4x6  | 37-105             |

| Part No.   | Description                       | Page and Index No. |
|------------|-----------------------------------|--------------------|
| 0451 4006B | Tapping Screw - 4x6               | 49-101             |
| 0451 4006B | Tapping Screw - 4x6               | 21-104             |
| 0451 4006H | Tapping Screw - M4x6              | 67-107             |
| 0451 4006H | Tapping Screw - M4x6              | 47-103             |
| 0451 4006H | Tapping Screw - M4x6              | 11-108             |
| 0451 4008B | Philips Tapping Screw - M4x8      | 11-105             |
| 0451 4008B | Philips Tapping Screw - M4x8      | 73-106             |
| 0451 4008B | Philips Tapping Screw - M4x8      | 21-108             |
| 0451 4008B | Philips Tapping Screw - M4x8      | 23-113             |
| 0451 4008B | Philips Tapping Screw - M4x8      | 37-113             |
| 0451 4008B | Philips Tapping Screw - M4x8      | 41-110             |
| 0451 4008B | Philips Tapping Screw - M4x8      | 79-101             |
| 0451 4008H | Tapping Screw - 4x8               | 13-103             |
| 0451 4008H | Tapping Screw - 4x8               | 47-107             |
| 0451 4010B | Tapping Screw - 4x10              | 11-106             |
| 0451 4010B | Tapping Screw - 4x10              | 43-107             |
| 0451 4010B | Tapping Screw - 4x10              | 19-101             |
| 0452 3006B | Tapping Screw - M3x6              | 29-102             |
| 0452 4008B | Binding Self Tapping Screw - M4x8 | 49-105             |
| 0452 4008H | Tapping Screw - M4x8              | 29-106             |
| 0453 3006B | Tapping Screw - M3x6              | 41-103             |
| 0453 3006B | Tapping Screw - M3x6              | 39-102             |
| 0453 3006B | Tapping Screw - M3x6              | 11-104             |
| 0453 3006B | Tapping Screw - M3x6              | 37-112             |
| 0453 3010B | Binding Sel                       | 73-118             |
| 0453 3014B | Taping Screw - M3x14              | 65-103             |
| 0453 4006H | Tapping Screw - M4x6              | 45-111             |
| 0453 4006H | Tapping Screw - M4x6              | 13-107             |
| 0573 0040E | Hexagon Headless Set Screw - M3x4 | 25-107             |
| 0574 0040E | Hexagon Headless Set Screw - M4x4 | 61-103             |
| 0574 0040E | Hexagon Headless Set Screw - M4x4 | 45-112             |
| 0574 0040E | Hexagon Headless Set Screw - M4x4 | 27-109             |
| 0574 0040E | Hexagon Headless Set Screw - M4x4 | 57-107             |
| 0574 0040E | Hexagon Headless Set Screw - M4x4 | 73-107             |
| 0574 0040E | Hexagon Headless Set Screw - M4x4 | 55-109             |



| Part No.   | Description                       | Page and Index No. |
|------------|-----------------------------------|--------------------|
| 0574 0040E | Hexagon Headless Set Screw - M4x4 | 37-111             |
| 0574 0040E | Hexagon Headless Set Screw - M4x4 | 71-106             |
| 0574 0050E | Hexagon Headless Set Screw - M4x5 | 45-104             |
| 0575 0050E | Hexagon Headless Set Screw - M5x5 | 65-102             |
| 0586 0451Z | Hexagon Bolt - M6x45              | 43-104             |
| 0594 0100Z | Bolt - M4x10                      | 55-110             |
| 0594 0200E | Hexagon Bolt - M4x20              | 25-112             |
| 0595 0080E | Hexagon Bolt - M5x8               | 23-101             |
| 0622 0100E | Spring Pin - 2x10mm               | 71-103             |
| 0623 0120E | Spring Pin - M3x12                | 73-115             |
| 0623 0140E | Spring Pin - 3x14mm               | 49-113             |
| 0623 0140E | Spring Pin - 3x14mm               | 43-108             |
| 0633 0140G | Parallel Pin - 3x14               | 33-102             |
| 0701 0030Z | Flat Washer - M3                  | 73-117             |
| 0701 0060Z | Flat Washer - M6                  | 71-107             |
| 0701 0080Z | Flat Washer - M8                  | 29-105             |
| 0710 0040B | Hexagon Nut - M4                  | 23-102             |
| 0720 0020E | Retaining Ring - M2               | 51-106             |
| 0720 0020E | Retaining Ring - M2               | 47-106             |
| 0720 0020E | Retaining Ring - M2               | 41-105             |
| 0720 0030E | Retaining Ring - M3               | 67-102             |
| 0720 0030E | Retaining Ring - M3               | 21-110             |
| 0720 0030E | Retaining Ring - M3               | 51-102             |
| 0720 0030E | Retaining Ring - M3               | 73-116             |
| 0720 0040  | Retaining Ring-m4                 | 65-105             |
| 0720 0040E | Retaining Ring - M4               | 53-111             |
| 0720 0040E | Retaining Ring - M4               | 49-104             |
| 0720 0040E | Retaining Ring - M4               | 41-108             |
| 0720 0040E | Retaining Ring - M4               | 25-108             |
| 0720 0040E | Retaining Ring - M4               | 43-102             |
| 0720 0040E | Retaining Ring - M4               | 75-102             |
| 0720 0040E | Retaining Ring - M4               | 77-101             |
| 0720 0040E | Retaining Ring - M4               | 69-104             |
| 0720 0040E | Retaining Ring - M4               | 45-107             |
| 0720 0040E | Retaining Ring - M4               | 73-105             |

| Part No.   | Description              | Page and Index No |
|------------|--------------------------|-------------------|
| 0720 0040E | Retaining Ring - M4      | 27-111            |
| 0720 0040E | Retaining Ring - M4      | 79-102            |
| 0720 0040E | Retaining Ring - M4      | 37-106            |
| 0720 0040E | Retaining Ring - M4      | 67-101            |
| 0720 0040E | Retaining Ring - M4      | 51-108            |
| 0720 0040E | Retaining Ring - M4      | 19-108            |
| 0720 0040E | Retaining Ring - M4      | 71-102            |
| 0720 0050Z | Retaining Ring - M5      | 57-105            |
| 0720 0050Z | Retaining Ring - M5      | 53-112            |
| 0720 0050Z | Retaining Ring - M5      | 33-112            |
| 0720 0050Z | Retaining Ring - M5      | 59-106            |
| 0720 0050Z | Retaining Ring - M5      | 31-103            |
| 0720 0060E | Retaining Ring - M6      | 35-104            |
| 0720 0060E | Retaining Ring - M6      | 45-102            |
| 0720 0060E | Retaining Ring - M6      | 33-103            |
| 0720 0060E | Retaining Ring - M6      | 19-105            |
| 0720 0060E | Retaining Ring - M6      | 37-101            |
| 0720 0060E | Retaining Ring - M6      | 25-103            |
| 0720 0060E | Retaining Ring - M6      | 27-101            |
| 0720 0060E | Retaining Ring - M6      | 23-106            |
| 0720 0060E | Retaining Ring - M6      | 39-101            |
| 0720 0080E | Retaining Ring - M8      | 23-105            |
| 0720 0080E | Retaining Ring - M8      | 41-101            |
| 0720 0080E | Retaining Ring - M8      | 45-103            |
| 0720 0080E | Retaining Ring - M8      | 25-102            |
| 0720 0080E | Retaining Ring - M8      | 49-102            |
| 0720 0080Z | Retaining Ring - M8      | 61-108            |
| 0725 0160E | Retaining Ring C - M16   | 61-109            |
| 0740 3008  | Ball Bearing - 8x22x7    | 37-104            |
| 0740 3008  | Ball Bearing - 8x22x7    | 39-105            |
| 0740 3010  | Ball Bearing - 10x26x8mm | 49-103            |
| 0740 3203  | Busing - 3x10x4mm        | 41-106            |
| 0740 3206  | Ball Bearing - 6x19x6    | 59-107            |
| 0741 3706  | Ball Bearing - 6x10x3    | 37-110            |
| 0741 3908  | Bushing - 8x19x6         | 39-106            |

| Part No.   | Description                         | Page and Index No. |
|------------|-------------------------------------|--------------------|
| 0801 0103  | Screw - M4X8                        | 53-113             |
| 0801 0150  | Philips Screw - M4x8                | 81-109             |
| 0801 0150  | Philips Screw - M4x8                | 83-106             |
| 0801 1004  | Screw - M4X4                        | 19-102             |
| 0801 1004  | Screw - M4X4                        | 23-115             |
| 0804 6058  | Knob Screw                          | 13-101             |
| 0805 3134  | Ball Bearing - 10x26x8mm            | 45-113             |
| 0805 3134  | Ball Bearing - 10x26x8mm            | 25-105             |
| 0805 3205  | Ball Bearing - 10x19x7mm            | 23-109             |
| 0805 3368  | Ball Bearing - 8x16x5mm             | 33-109             |
| 0805 3385  | Bushing - 6mm                       | 77-103             |
| 0805 3385  | Bushing - 6mm                       | 75-101             |
| 0805 3386  | Bushing - 8mm                       | 37-102             |
| 0805 3444  | Ball Bearing - 25x37x7              | 23-112             |
| 0807 3033  | Washer - M4.5                       | 23-114             |
| 0807 5037  | Washer - 8.1mm                      | 33-110             |
| 0807 5037  | Washer - 8.1mm                      | 45-115             |
| 0807 7013  | Spacer - 10.2x14x0.2 Mm             | 49-112             |
| 0807 7114  | Washer - 16x24x0.3mm                | 61-110             |
| 0807 7114  | Washer - 16x24x0.3mm                | 55-104             |
| 0951 3006Z | Philips Screw With Flat Washer - M3 | 61-104             |
| 0951 3006Z | Philips Screw With Flat Washer - M3 | 49-106             |
| 0951 3006Z | Philips Screw With Flat Washer - M3 | 57-104             |
| 0951 3006Z | Philips Screw With Flat Washer - M3 | 59-109             |
| 0951 3006Z | Philips Screw With Flat Washer - M3 | 19-106             |
| 0951 3006Z | Philips Screw With Flat Washer - M3 | 53-102             |
| 0951 3008Z | Philips Screw With Flat Washer - M3 | 53-103             |
| 0951 4006Z | Philips Screw With Flat Washer - M4 | 55-106             |
| 0951 4006Z | Philips Screw With Flat Washer - M4 | 53-101             |
| 0951 4006Z | Philips Screw With Flat Washer - M4 | 57-110             |
| 0951 4006Z | Philips Screw With Flat Washer - M4 | 59-102             |
| 0951 4008B | Philips Screw With Washer - M4x8    | 23-108             |
| 0951 4008Z | Philips Screw With Flat Washer M4x8 | 53-104             |
| 0951 4008Z | Philips Screw With Flat Washer M4x8 | 57-109             |
| 0951 4008Z | Philips Screw With Flat Washer M4x8 | 59-104             |

| Part No.   | Description                         | Page and Index No |
|------------|-------------------------------------|-------------------|
| 0951 4008Z | Philips Screw With Flat Washer M4x8 | 55-107            |
| 1100 1474  | Test Pin                            | 93-101            |
| 1100 1474  | Test Pin                            | 89-101            |
| 1102 3822  | Connector - 20P                     | 93-102            |
| 1102 4202  | Connector - 3P                      | 93-103            |
| 1102 4203  | CT Header - 4P                      | 93-104            |
| 1102 4203  | CT Header - 4P                      | 89-102            |
| 1102 4204  | CT Header - 5P                      | 93-105            |
| 1102 4205  | CT Header- 6P                       | 93-106            |
| 1102 4207  | Connector - 8P                      | 93-107            |
| 1102 4208  | Connector - 9P                      | 89-103            |
| 1102 4209  | CT Header - 10P                     | 93-108            |
| 1102 4210  | Connector - 11P                     | 93-109            |
| 1102 4212  | CT Header - 15P                     | 93-110            |
| 1102 4212  | CT Header - 15P                     | 89-104            |
| 1102 4471  | CT Header(h) - 15P                  | 89-105            |
| 1102 4684  | Connector - 5566-06R-210            | 93-111            |
| 1102 5003  | Fiber Connector - DC1002 - 2P       | 93-112            |
| 1102 5305  | Connector - 6P                      | 93-113            |
| 1102 5410  | Connector - 22P                     | 93-114            |
| 1102 5410  | Connector - 22P                     | 89-106            |
| 1102 5411  | Connector - 24P                     | 93-115            |
| 1102 5411  | Connector - 24P                     | 89-107            |
| 1102 5413  | Connector - 28P                     | 93-116            |
| 1102 5413  | Connector - 28P                     | 89-108            |
| 1102 5414  | Connector - 30P                     | 89-109            |
| 1102 5414  | Connector - 30P                     | 93-117            |
| 1102 5418  | Connector - 26P                     | 89-110            |
| 1102 6305  | Connector - 12P                     | 93-118            |
| 1102 6396  | Connector - 1P                      | 93-119            |
| 1102 6418  | Connector - PA1002                  | 81-116            |
| 1102 6594  | Connector - 10P                     | 93-120            |
| 1102 6595  | Connector - 11P                     | 93-121            |
| 1102 6662  | Connector - 4P                      | 89-111            |
| 1102 7036  | Connector - 30P                     | 93-122            |

| Part No.  | Description                      | Page and Index No. |
|-----------|----------------------------------|--------------------|
| 1102 7389 | Connector - FH12-50S-0.5SV       | 89-112             |
| 1102 7445 | Connector - 46P                  | 83-109             |
| 1102 7455 | Connector FX6-60S-0.8SV2         | 89-113             |
| 1102 7880 | Connector - FX6-100P-0.8SV2      | 89-114             |
| 1102 8085 | Connector - FX2CA2-120P-1.27DSAL | 93-123             |
| 1102 8086 | Connector - FX2-120S-1.27SVL     | 89-115             |
| 1104 0588 | Dip Socket - 28P                 | 89-116             |
| 1104 0588 | Dip Socket - 28P                 | 93-124             |
| 1105 0005 | Nylon Clamp - 3n                 | 31-106             |
| 1105 0008 | Nylon Clamp - 2n                 | 45-110             |
| 1105 0016 | Nylon Clamp - 4n                 | 53-105             |
| 1105 0016 | Nylon Clamp - 4n                 | 59-103             |
| 1105 0113 | Edge - P108                      | 53-106             |
| 1105 0113 | Edge - P108                      | 71-104             |
| 1105 0193 | Nylon Stud                       | 51-112             |
| 1105 0193 | Nylon Stud                       | 53-110             |
| 1105 0195 | PCB Stud                         | 63-105             |
| 1105 0199 | Clamp                            | 21-101             |
| 1105 0199 | Clamp                            | 81-113             |
| 1105 0199 | Clamp                            | 19-107             |
| 1105 0199 | Clamp                            | 45-108             |
| 1105 0199 | Clamp                            | 75-107             |
| 1105 0199 | Clamp                            | 51-103             |
| 1105 0199 | Clamp                            | 43-106             |
| 1105 0199 | Clamp                            | 39-103             |
| 1105 0199 | Clamp                            | 37-108             |
| 1105 0199 | Clamp                            | 53-108             |
| 1105 0199 | Clamp                            | 33-108             |
| 1105 0199 | Clamp                            | 57-108             |
| 1105 0199 | Clamp                            | 47-101             |
| 1105 0199 | Clamp                            | 27-103             |
| 1105 0199 | Clamp                            | 25-106             |
| 1105 0229 | Clamp                            | 49-109             |
| 1105 0229 | Clamp                            | 31-108             |
| 1105 0229 | Clamp                            | 51-110             |

| Part No.  | Description                    | Page and Index No. |
|-----------|--------------------------------|--------------------|
| 1105 0229 | Clamp                          | 25-111             |
| 1105 0230 | Clamp                          | 73-111             |
| 1105 0230 | Clamp                          | 33-107             |
| 1105 0290 | Harness Clamp - Horizontal     | 63-104             |
| 1105 0291 | Harness Clamp - LWS-3S         | 81-107             |
| 1105 0291 | Harness Clamp - LWS-3S         | 83-103             |
| 1105 0291 | Harness Clamp - LWS-3S         | 27-106             |
| 1105 0291 | Harness Clamp - LWS-3S         | 73-110             |
| 1105 0292 | Wire Saddle                    | 81-117             |
| 1105 0292 | Wire Saddle                    | 81-102             |
| 1105 0292 | Wire Saddle                    | 83-107             |
| 1105 0310 | Harness Clamp - LWS-1S         | 21-102             |
| 1105 0310 | Harness Clamp - LWS-1S         | 31-109             |
| 1105 0310 | Harness Clamp - LWS-1S         | 19-109             |
| 1105 0310 | Harness Clamp - LWS-1S         | 73-109             |
| 1105 0310 | Harness Clamp - LWS-1S         | 57-111             |
| 1105 0310 | Harness Clamp - LWS-1S         | 59-111             |
| 1105 0310 | Harness Clamp - LWS-1S         | 83-108             |
| 1105 0310 | Harness Clamp - LWS-1S         | 75-104             |
| 1105 0310 | Harness Clamp - LWS-1S         | 81-104             |
| 1105 0316 | Clamp                          | 83-110             |
| 1105 0328 | Harness Clamp - ES-0505        | 51-115             |
| 1105 0328 | Harness Clamp - ES-0505        | 73-104             |
| 1105 0329 | Clamp - ES-0510                | 53-107             |
| 1105 0329 | Clamp - ES-0510                | 33-106             |
| 1105 0413 | Harness Clamp                  | 27-107             |
| 1105 0413 | Harness Clamp                  | 69-106             |
| 1105 0413 | Harness Clamp                  | 81-103             |
| 1105 0413 | Harness Clamp                  | 83-104             |
| 1105 0413 | Harness Clamp                  | 25-104             |
| 1105 0413 | Harness Clamp                  | 23-110             |
| 1105 0413 | Harness Clamp                  | 51-109             |
| 1105 0415 | Spacer - 12.7mm                | 63-106             |
| 1107 0652 | Fuse (Glass Case) - 10A - 125V | 81-115             |
| 1107 0712 | Fuse - K19374/5A               | 81-105             |

| Part No.  | Description                | Page and Index No. |
|-----------|----------------------------|--------------------|
| 1107 0875 | Fuse 1A 250V               | 81-114             |
| 1107 0884 | Fuse - 5A 250V             | 81-108             |
| 1204 2356 | Micro Switch - AM51612A531 | 21-107             |
| 1204 2501 | Main Switch                | 21-105             |
| 1400 0392 | Transistor - DTC114EK      | 89-117             |
| 1400 0455 | Transistor - 2SC2873Y      | 93-125             |
| 1400 0649 | Transistor - DTC143TK      | 93-126             |
| 1400 0720 | Transistor - DTC143ZSA     | 93-127             |
| 1400 0785 | Transistor - DTD113ZK      | 93-128             |
| 1401 0835 | Diode - 1SS190             | 93-129             |
| 1401 1051 | Transistor - 2SJ374        | 93-130             |
| 1402 0780 | Diode - 200V - 1A - 11ES2  | 93-131             |
| 1402 1206 | Zener Diode                | 93-132             |
| 1403 0828 | Diode - SEC1901C           | 89-118             |
| 1403 0829 | Diode - SEC1201C           | 93-133             |
| 1407 1535 | IC - TD62308AP             | 93-134             |
| 1407 1600 | TTLIC - SN74LS244NS        | 89-119             |
| 1407 1600 | TTLIC - SN74LS244NS        | 93-135             |
| 1407 1605 | TTLIC - SN74LS157NS        | 93-136             |
| 1407 1746 | TTL - SN74LS240NS          | 93-137             |
| 1407 2052 | TTLIC - SN74LS74ANS        | 89-120             |
| 1407 2127 | TTL - IC74F00SJ            | 89-121             |
| 1407 2130 | TTLIC - 74F08SJ            | 89-122             |
| 1407 2134 | TTLIC - 74F32SJ            | 89-123             |
| 1407 2137 | IC - 74F138SJ              | 89-124             |
| 1407 2187 | TTLIC - SN74LS07NS         | 93-138             |
| 1407 2187 | TTLIC - SN74LS07NS         | 89-125             |
| 1407 2219 | IC - TD62003AP             | 93-139             |
| 1407 2247 | TTL - SN74LS164NS          | 93-140             |
| 1407 2261 | IC - NJM2902M              | 93-141             |
| 1407 2561 | TTLIC - 74F157ASJ          | 89-126             |
| 1407 3285 | IC - TC74HC08AF            | 93-142             |
| 1407 3306 | IC - TC74HC244AF           | 93-143             |
| 1407 3306 | IC - TC74HC244AF           | 89-127             |
| 1407 4315 | IC - TE7751                | 93-144             |

| Part No.  | Description                              | Page and Index No. |
|-----------|--|--------------------|
| 1407 4323 | TTL - TD74ABT244F                        | 89-128             |
| 1407 4565 | IC - TE6251                              | 89-129             |
| 1407 4671 | Fifo M66256FP                            | 89-130             |
| 1407 4696 | IC - M48T58Y-70PC1                       | 89-131             |
| 1407 4724 | CPU HD6413003TF-16                       | 89-132             |
| 1407 4724 | CPU HD6413003TF-16                       | 93-145             |
| 1407 4734 | IC - M66257FP                            | 89-133             |
| 1407 4743 | Flash Memory - LH28F016SUT-70            | 89-134             |
| 1407 4746 | TTLIC - TD74ABT245AF                     | 89-135             |
| 1408 0575 | IC - M51957BFP                           | 93-146             |
| 1408 0575 | IC - M51957BFP                           | 89-136             |
| 1408 0595 | IC - NJM2904M                            | 93-147             |
| 1408 0827 | IC - TA8429H                             | 93-148             |
| 1408 1204 | IC - TA8083P                             | 93-149             |
| 1408 1225 | IC - STK672-040                          | 93-150             |
| 1408 1226 | Regulator - 3.3V-PQ3TZ53                 | 89-137             |
| 1408 1410 | IC - STK672-120                          | 93-151             |
| 1503 0820 | Oscillator - 29.4912MHz                  | 89-138             |
| 1503 0821 | Oscillator 30MHz                         | 89-139             |
| 1503 0849 | Crystal Oscillator - 14.7456MHz          | 93-152             |
| 1601 7801 | Resistor Array - 10K $\Omega$ ?5% 1/16W  | 89-140             |
| 1601 7801 | Resistor Array - 10K $\Omega$ ?5% 1/16W  | 93-153             |
| 1601 7805 | Resistor Array - 33 $\Omega$ ?5% 1/16W   | 89-141             |
| 1601 7805 | Resistor Array - 33 $\Omega$ ?5% 1/16W   | 93-154             |
| 1601 7807 | Resistor Array - 3.3K $\Omega$ ?5% 1/16W | 89-142             |
| 1601 8186 | Variable Resistor - 200K $\Omega$        | 93-155             |
| 1601 8371 | Resistor 2k $\Omega$ 1/2W                | 93-156             |
| 1602 0987 | Capacitor & Coil - 270pF 100V            | 93-157             |
| 1602 7011 | Capacitor - 270pF ?20% 50V               | 93-158             |
| 1604 4333 | Capacitor - 100 $\mu$ F ?20% 10V         | 89-143             |
| 1604 4333 | Capacitor - 100 $\mu$ F ?20% 10V         | 93-159             |
| 1605 0577 | Capacitor - 0.33 $\mu$ F +80-20%         | 89-144             |
| 1605 0850 | Capacitor                                | 93-160             |
| 1606 1137 | Capacitor - 5pF ?20%                     | 89-145             |

| Part No.  | Description                             | Page and Index No. |
|-----------|---|--------------------|
| 1606 1985 | Capacitor - 0.033 $\mu$ F $\pm$ 5% 50V  | 93-161             |
| 1606 1986 | Capacitor - 0.1 $\mu$ F $\pm$ 5% 16V    | 93-162             |
| 1607 0622 | Ferrite Core TFC16816                   | 81-106             |
| 1607 0638 | Ferrite Core - TFC25-15-12              | 81-110             |
| 1607 0732 | Noise Filter - AEF321825-470            | 89-146             |
| 1607 0906 | Emifilterer ACF321825-101               | 89-147             |
| 1607 1123 | Filter - BLM11B471SBPB                  | 89-148             |
| 1607 1139 | Ferrite Core - RFC-8                    | 83-111             |
| 1610 1234 | Resistor - 47 $\Omega$ 1W $\pm$ 5%      | 93-163             |
| 1630 1121 | Resistor - 120 $\Omega$ $\pm$ 5% 1/8W   | 93-164             |
| 1630 2100 | Resistor - 10 $\Omega$ 1/8W $\pm$ 5%    | 89-149             |
| 1630 2221 | Resistor - 220 $\Omega$                 | 93-165             |
| 1630 3100 | Resistor - 10 $\Omega$ $\pm$ 5% 1/10W   | 93-166             |
| 1630 3151 | Resistor - 150 $\Omega$ $\pm$ 5% 1/10W  | 93-167             |
| 1630 3221 | Resistor - 220 $\Omega$ $\pm$ 5% 1/10W  | 93-168             |
| 1630 3332 | Resistor - 3.3K $\Omega$ 1/10W $\pm$ 5% | 93-169             |
| 1630 3471 | Resistor - 470 $\Omega$ - 1/10W         | 89-150             |
| 1630 3472 | Resistor - 4.7K $\Omega$ 1/10W $\pm$ 5% | 93-170             |
| 1630 3683 | Resistor - 68K $\Omega$ $\pm$ 5% 1/10W  | 93-171             |
| 1630 3824 | Resistor - 820K $\Omega$ $\pm$ 5% 1/10W | 93-172             |
| 1630 4101 | Resistor - 100 $\Omega$ $\pm$ 5% 1/16W  | 89-151             |
| 1630 4102 | Resistor - 1.0K $\Omega$ $\pm$ 5% 1/16W | 93-173             |
| 1630 4102 | Resistor - 1.0K $\Omega$ $\pm$ 5% 1/16W | 89-152             |
| 1630 4103 | Resistor - 10K $\Omega$ $\pm$ 5% 1/16W  | 93-174             |
| 1630 4103 | Resistor - 10K $\Omega$ $\pm$ 5% 1/16W  | 89-153             |
| 1630 4105 | Resistor - 1.0M $\Omega$ $\pm$ 5% 1/16W | 93-175             |
| 1630 4105 | Resistor - 1.0M $\Omega$ $\pm$ 5% 1/16W | 89-154             |
| 1630 4151 | Resistor - 150 $\Omega$ $\pm$ 5% 1/16w  | 93-176             |
| 1630 4152 | Resistor - 1.5K $\Omega$ $\pm$ 5% 1/16W | 93-177             |
| 1630 4153 | Resistor - 15K $\Omega$ $\pm$ 5% 1/16W  | 93-178             |
| 1630 4222 | Resistor - 2.2K $\Omega$ $\pm$ 5%       | 93-179             |
| 1630 4243 | Resistor - 24K $\Omega$ $\pm$ 5% 1/16W  | 93-180             |
| 1630 4303 | Resistor - 30K $\Omega$ $\pm$ 5% 1/16W  | 89-155             |

| Part No.  | Description                                  | Page and Index No. |
|-----------|--|--------------------|
| 1630 4330 | Resistor - 33 $\Omega$ $\pm$ 5% 1/8W         | 89-156             |
| 1630 4332 | Resistor - 3.3K $\Omega$ $\pm$ 5% 1/16W      | 89-157             |
| 1630 4471 | Resistor - 470 $\Omega$ $\pm$ 5% 1/16W       | 89-158             |
| 1630 4562 | Resistor - 5.6k $\Omega$ - $\pm$ 5% - 1/16W  | 93-181             |
| 1630 4682 | Resistor - 6.8k $\Omega$ - $\pm$ 5% - 1/16W  | 93-182             |
| 1630 4821 | Resistor - 820 $\Omega$ $\pm$ 5% 1/16W       | 93-183             |
| 1630 4821 | Resistor - 820 $\Omega$ $\pm$ 5% 1/16W       | 89-159             |
| 1633 0000 | Resistor - 0 $\Omega$ 1/10W                  | 93-184             |
| 1633 0000 | Resistor - 0 $\Omega$ 1/10W                  | 89-160             |
| 1633 1002 | Resistor - 10K $\Omega$ $\pm$ 1% 1/10W       | 89-161             |
| 1633 3741 | Resistor - 3.7K $\Omega$ $\pm$ 5% 1/10W      | 89-162             |
| 1633 6200 | Resistor - 620 $\Omega$ - 1/10W              | 93-185             |
| 1634 1001 | Resistor - 1K $\Omega$ $\pm$ 5% 1/16W        | 93-186             |
| 1634 1002 | Resistor - 10 $\Omega$ $\pm$ 5% 1/16W        | 93-187             |
| 1634 1502 | Resistor - 15K $\Omega$ $\pm$ 1% 1/16W       | 93-188             |
| 1634 4301 | Resistor - 4.3K $\Omega$ $\pm$ 1% 1/8W       | 93-189             |
| 1634 5101 | Resistor - 5.10k $\Omega$ - $\pm$ 1% - 1/16W | 93-190             |
| 1634 6802 | Resistor - 68K $\Omega$ $\pm$ 1% 1/16W       | 93-191             |
| 1634 7501 | Resistor - 7.50k $\Omega$ $\pm$ 1% 1/16W     | 93-192             |
| 1634 7872 | Resistor - 78.7K $\Omega$ $\pm$ 1% 1/16W     | 93-193             |
| 1640 5101 | Capacitor - 100 $\mu$ F $\pm$ 20% 50V        | 93-194             |
| 1644 1100 | Capacitor - 10 $\mu$ F $\pm$ 20% 16V         | 93-195             |
| 1644 1470 | Capacitor - 47 $\mu$ F $\pm$ 20% 16V         | 93-196             |
| 1644 5100 | Capacitor - 10 $\mu$ F $\pm$ 20% 50V         | 93-197             |
| 1644 5109 | Capacitor - 1 $\mu$ F $\pm$ 20% 25V          | 89-163             |
| 1644 6220 | Capacitor 22 $\mu$ F $\pm$ 20% 6.3V          | 89-164             |
| 1660 1100 | Capacitor - 10pF 50V                         | 89-165             |
| 1660 2101 | Capacitor - 100pF - $\pm$ 10% - 50V          | 89-166             |
| 1660 2151 | Capacitor - 150pF $\pm$ 20% 35V              | 89-167             |
| 1660 2151 | Capacitor - 150pF $\pm$ 20% 35V              | 89-176             |
| 1660 2220 | Capacitor - 22pF $\pm$ 20% 35V               | 93-198             |
| 1660 2470 | Capacitor - 47pF $\pm$ 5% 50V                | 89-168             |
| 1660 2471 | Capacitor - 470pF - $\pm$ 5% - 50V           | 89-169             |

| Part No.  | Description                      | Page and Index No. |
|-----------|----------------------------------|--------------------|
| 1660 2471 | Capacitor - 470pF - ?5% - 50V    | 93-199             |
| 1660 3150 | Capacitor - 15pF 50V             | 89-170             |
| 1660 4103 | Capacitor - 10000pF - ?10% - 50V | 89-171             |
| 1660 5103 | Capacitor - 10000pF ?10% 50V     | 93-200             |
| 1660 7104 | Capacitor - 100000pF 50V         | 93-201             |
| 1660 8104 | Capacitor - 0.1μF +80-20% 25V    | 89-172             |
| 1660 8104 | Capacitor - 0.1μF +80-20% 25V    | 93-202             |
| 1902 0040 | SRAM 256KX8 70NS G9              | 89-173             |
| 1902 0041 | IC - 1M X8 70NS G10              | 89-174             |
| 1904 0013 | SRAM - 256K X8 20NS G2           | 89-175             |
| 1905 0004 | UVEPROM 512K X8 100NS            | 93-203             |

| Part No. | Description | Page and Index No |
|----------|-------------|-------------------|
|          |             |                   |

# **PAPER BANK/DELEVERY TABLE (C591)**

## PARTS CATALOG

### INTRODUCTION

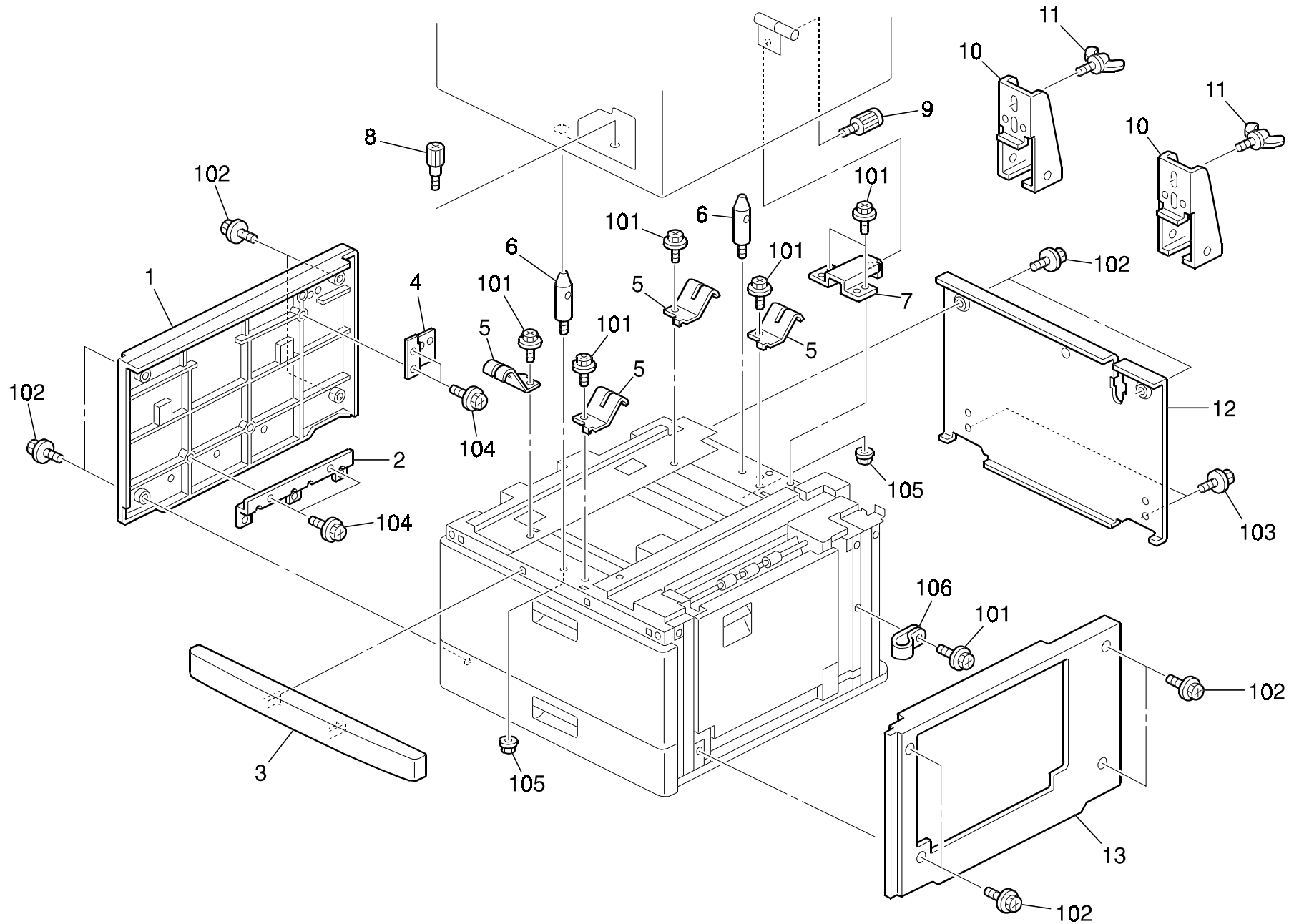
This chapter instructs you the numbers and names of parts on this machine.

### INDEX to PARTS CATALOG

|  |           |
|--|-----------|
| 1.EXTERIOR (C591) .....                  | 2         |
| 2.LEFT TANDEM TRAY 1 (C591) .....        | 4         |
| 3.LEFT TANDEM TRAY 2 (C591) .....        | 6         |
| 4.RIGHT TANDEM TRAY 1 (C591).....        | 8         |
| 5.RIGHT TANDEM TRAY 2 (C591).....        | 10        |
| 6.END FENCE (C591).....                  | 12        |
| 7.PAPER TRAY 1 (C591).....               | 14        |
| 8.PAPER TRAY 2 (C591).....               | 16        |
| 9.PAPER FEED SECTION 1 (C591).....       | 18        |
| 10.PAPER FEED SECTION 2 (C591).....      | 20        |
| 11.VERTICAL TRANSPORT (C591).....        | 22        |
| 12.ELECTRICAL/DRIVE SECTION (C591) ..... | 24        |
| 13.FRAME SECTION (C591) .....            | 26        |
| 14.DELEVERY TABLE 1 (C591) .....         | 28        |
| 15.DELEVERY TABLE 2 (C591) .....         | 30        |
| 16.DELEVERY TABLE 3 (C591) .....         | 32        |
| 17.DELEVERY TABLE 4 (C591) .....         | 34        |
| <b>PARTS INDEX .....</b>                 | <b>37</b> |



# 1.EXTERIOR (C591)

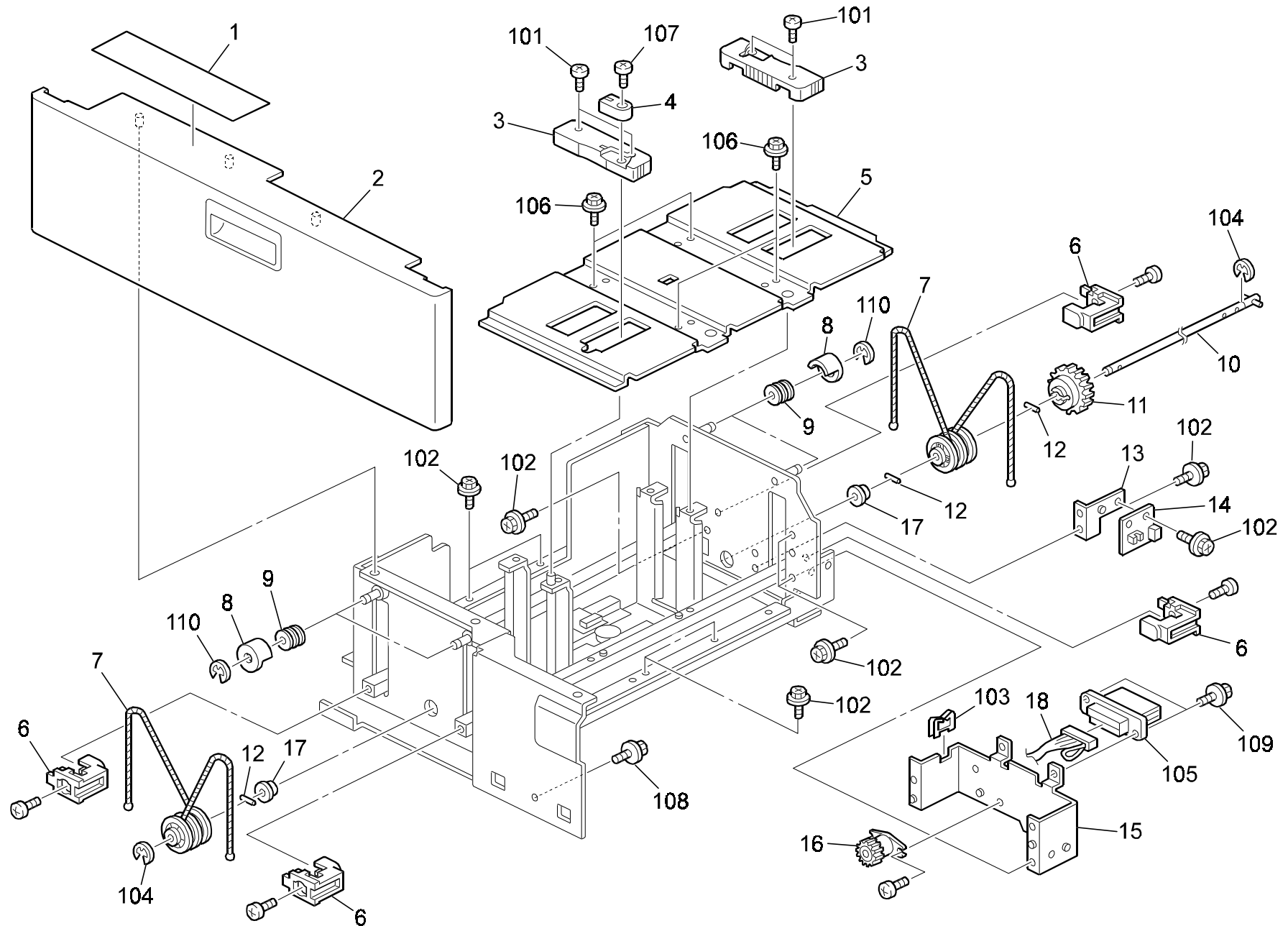


### 1.EXTERIOR (C591)

| Index No. | Part No.  | Description              | Q'ty Per Assembly |
|-----------|-----------|--------------------------|-------------------|
| 1         | C591 1254 | Left Cover               | 1                 |
| 2         | C591 1258 | Left Cover Support Plate | 1                 |
| 3         | C591 1252 | Front Upper Cover        | 1                 |
| 4         | C591 1260 | Left Cover Bracket       | 1                 |
| 5         | C591 1259 | Grounding Plate          | 4                 |
| 6         | C591 1061 | Positioning Pin          | 1                 |
| 7         | C591 1116 | Joint Bracket            | 1                 |
| 8         | C232 2035 | Stepped Screw            | 1                 |
| 9         | A628 3115 | Knob Screww - M4         | 1                 |
| 10        | C218 2048 | Bank Support Bracket     | 2                 |
| 11        | C218 2050 | Adjust Screw - M4x10     | 2                 |
| 12        | C591 1257 | Rear Cover               | 1                 |
| 13        | C591 1256 | Right Cover              | 1                 |

| Index No. | Part No.   | Description         | Q'ty Per Assembly |
|-----------|------------|---------------------|-------------------|
| 101       | 0451 3006H | Tapping Screw - 3x6 |                   |
| 102       | 0451 3008H | Tapping Screw - 3x8 |                   |
| 103       | 0451 4008H | Tapping Screw - 4x8 |                   |
| 104       | 0450 3008H | Tapping Screw M3x8  |                   |
| 105       | 0804 9029  | Nut - M6            |                   |
| 106       | 1105 0016  | Nylon Clamp - 4N    |                   |

## 2.LEFT TANDEM TRAY 1 (C591)

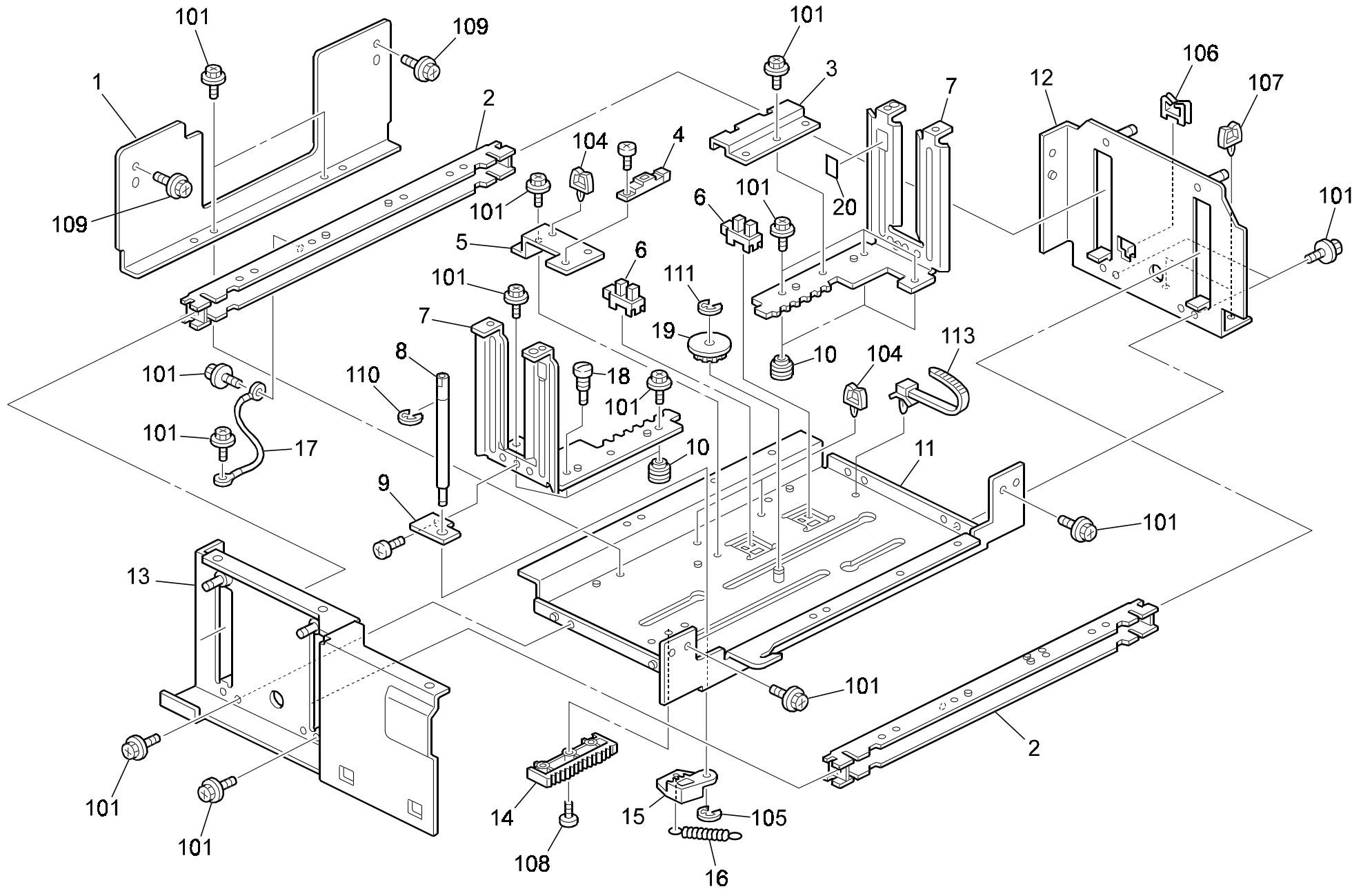


## 2.LEFT TANDEM TRAY 1 (C591)

| Index No. | Part No.  | Description             | Q'ty Per Assembly |
|-----------|-----------|-------------------------|-------------------|
| 1         | C591 1300 | Decal - Tandem Tray     | 1                 |
| 2         | C591 1250 | Tandem Tray Cover       | 1                 |
| 3         | C591 2053 | Side Fence Upper Cover  | 2                 |
| 4         | C591 2052 | Side Fence Stopper Knob | 1                 |
| 5         | C591 2185 | Left Bottom Plate       | 1                 |
| 6         | C591 2051 | Shaft Holder            | 4                 |
| 7         | C591 2033 | Left Drive Wire         | 2                 |
| 8         | A248 6695 | Guide - Pulley          | 4                 |
| 9         | AB03 2719 | Pulley - M10            | 4                 |
| 10        | C591 2005 | Drive Shaft             | 1                 |
| 11        | C591 2063 | Gear - 34x1.0           | 1                 |
| 12        | C591 2062 | Pin - 3x20              | 2                 |
| 13        | C591 2068 | Sensor Bracket - Middle | 1                 |
| 14        | C591 3010 | Sensor Board            | 1                 |
| 15        | C591 2175 | Left Joint Frame        | 1                 |
| 16        | C591 2022 | Oil Dumper              | 1                 |
| 17        | C591 1104 | Bushing - B-F8-4        | 1                 |
| 18        | C591 3315 | Harness - 21            | 1                 |

| Index No. | Part No.   | Description                      | Q'ty Per Assembly |
|-----------|------------|----------------------------------|-------------------|
| 101       | 0313 0060Z | Philips Pan Head Screw - M3x6    |                   |
| 102       | 0451 3006H | Tapping Screw - 3x6              |                   |
| 103       | 1105 0329  | Clamp - ES-0510                  |                   |
| 104       | 0720 0060E | Retaining Ring - M6              |                   |
| 105       | 1102 7875  | Connector                        |                   |
| 106       | 0353 0060Z | Screw - M3X6                     |                   |
| 107       | 0353 0040Z | Binding Head Screw M3x4 (100pcs) |                   |
| 108       | 0450 3008H | Tapping Screw M3x8               |                   |
| 109       | 0451 3010H | Tapping Screw - 3x10             |                   |
| 110       | 0720 0050E | Retaining Ring - M5              |                   |

### 3.LEFT TANDEM TRAY 2 (C591)

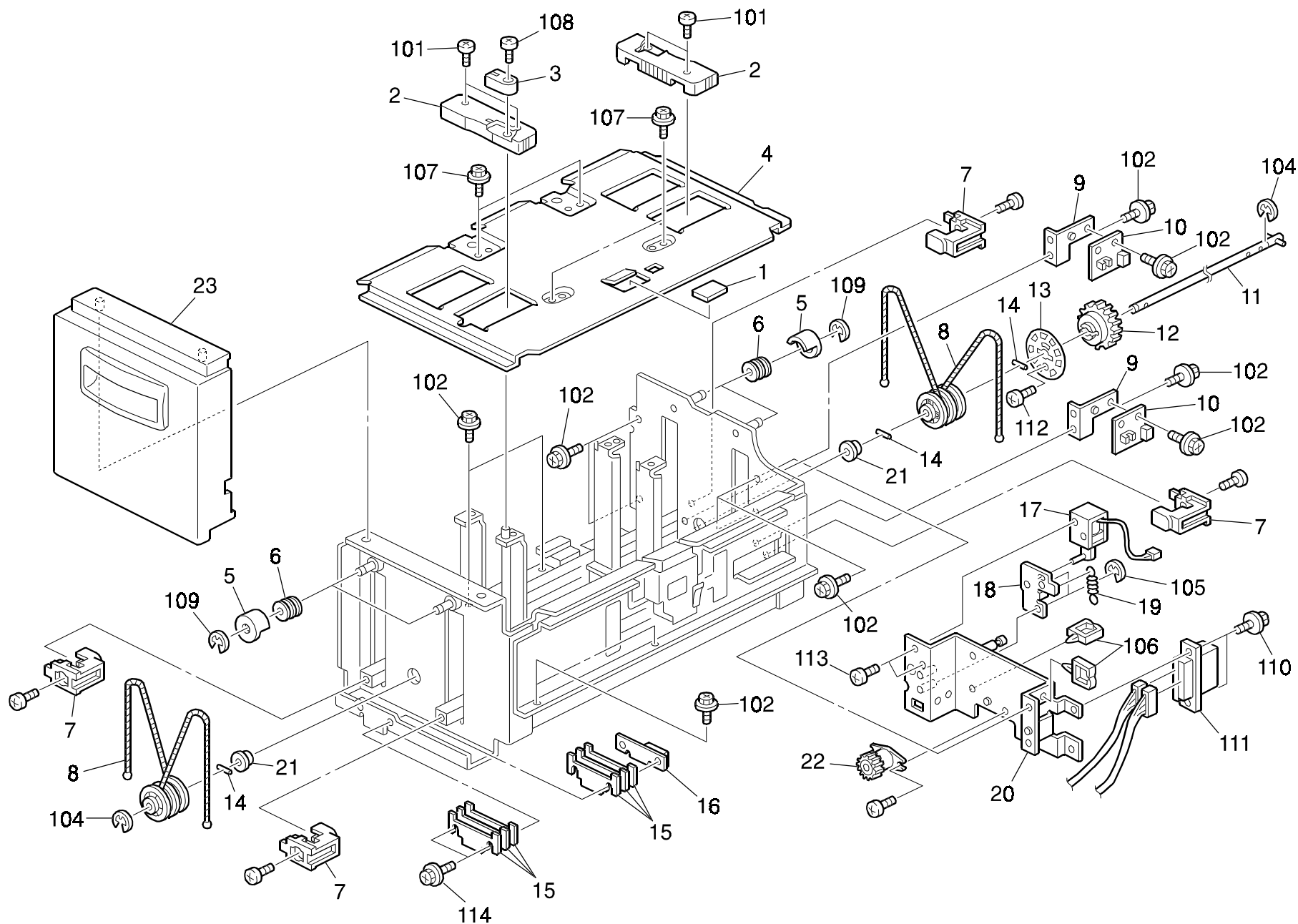


### 3.LEFT TANDEM TRAY 2 (C591)

| Index No. | Part No.  | Description               | Q'ty Per Assembly |
|-----------|-----------|---------------------------|-------------------|
| 1         | C591 2186 | Left Paper Guide          | 1                 |
| 2         | C591 2054 | Side Fence Rail           | 2                 |
| 3         | C591 2078 | Paper Size Sensor Bracket | 1                 |
| 4         | C229 5807 | Photosensor - GP2A25      | 1                 |
| 5         | C591 2111 | Sensor Bracket            | 1                 |
| 6         | AW02 0075 | Photointerruptor          | 2                 |
| 7         | C591 2079 | Side Fence                | 2                 |
| 8         | C591 2096 | Shaft Stopper             | 1                 |
| 9         | C591 2014 | Side Fence Stopper Plate  | 1                 |
| 10        | C591 2073 | Side Fence Bushing        | 2                 |
| 11        | C591 2040 | Left Base                 | 1                 |
| 12        | C591 2035 | Rear Left Frame           | 1                 |
| 13        | C591 2036 | Front Left Frame          | 1                 |
| 14        | C591 2077 | Side Fence Rack           | 1                 |
| 15        | C591 2076 | Side Fence Stopper        | 1                 |
| 16        | C591 2104 | Lock Spring               | 1                 |
| 17        | C591 2031 | Left Arm                  | 1                 |
| 18        | C591 2074 | Stopper Shaft             | 1                 |
| 19        | C591 2075 | Gear - 22x1.0             | 1                 |
| 20        | C591 2290 | Decal - Paper Level       | 1                 |

| Index No. | Part No.   | Description                      | Q'ty Per Assembly |
|-----------|------------|----------------------------------|-------------------|
| 101       | 0313 0060Z | Philips Pan Head Screw - M3x6    |                   |
| 102       | 0353 0040Z | Binding Head Screw M3x4 (100pcs) |                   |
| 103       | 0451 3006H | Tapping Screw - 3x6              |                   |
| 104       | 1105 0407  | Mini Clamp                       |                   |
| 105       | 0720 0040E | Retaining Ring - M4              |                   |
| 106       | 1105 0329  | Clamp - ES-0510                  |                   |
| 107       | 1105 0407  | Mini Clamp                       |                   |
| 108       | 0313 0040Z | Philips Pan Head Screw - M3x4    |                   |
| 109       | 0353 0040Z | Binding Head Screw M3x4 (100pcs) |                   |
| 110       | 0720 0050E | Retaining Ring - M5              |                   |
| 111       | 0720 0060E | Retaining Ring - M6              |                   |

# 4.RIGHT TANDEM TRAY 1 (C591)



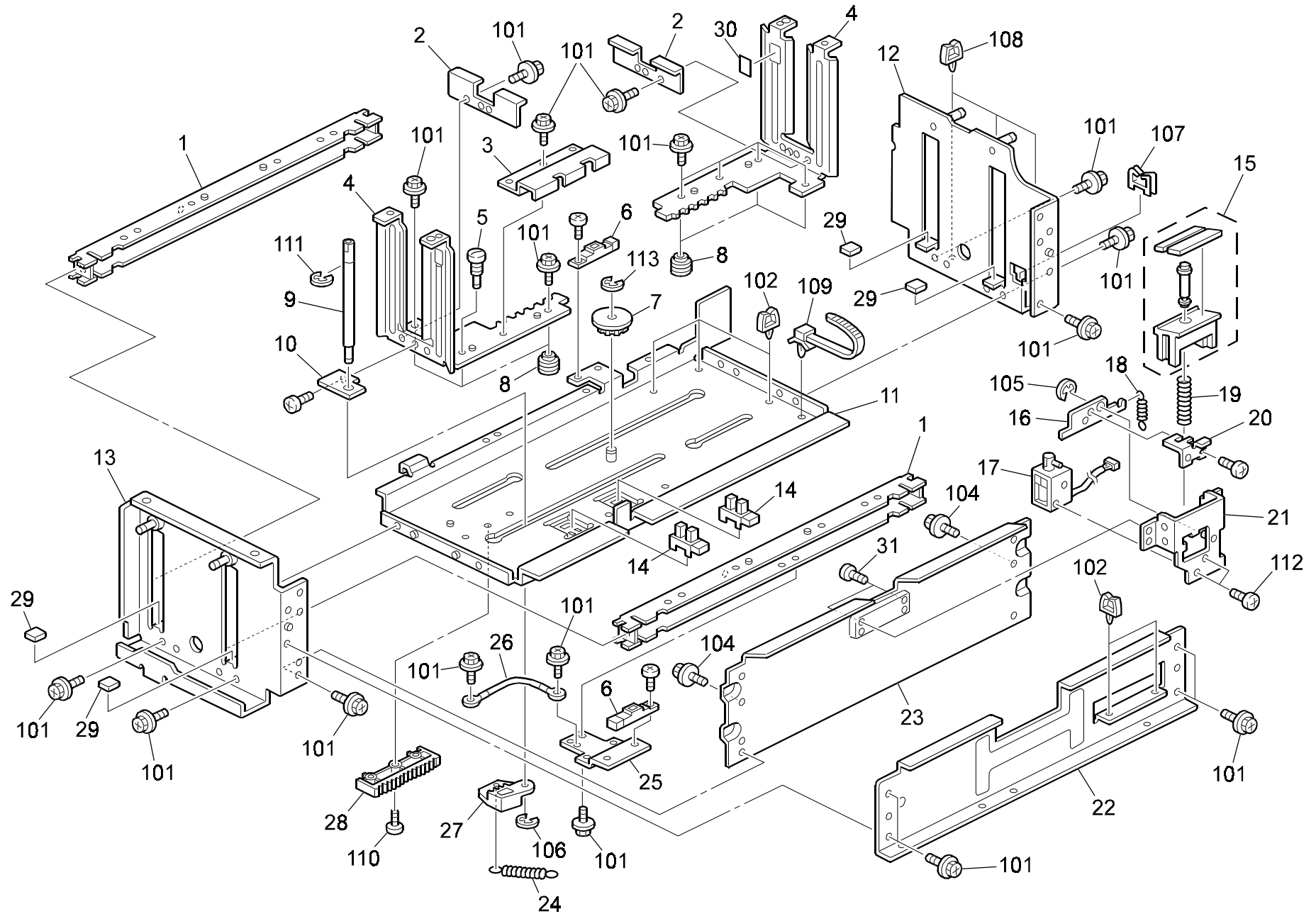
#### 4.RIGHT TANDEM TRAY 1 (C591)

| Index No. | Part No.  | Description             | Q'ty Per Assembly |
|-----------|-----------|-------------------------|-------------------|
| 1         | C229 2840 | Pad                     | 1                 |
| 2         | C591 2053 | Side Fence Upper Cover  | 2                 |
| 3         | C591 2052 | Side Fence Stopper Knob | 1                 |
| 4         | C591 2284 | Right Bottom Plate      | 1                 |
| 5         | A248 6695 | Guide - Pulley          | 4                 |
| 6         | AB03 2719 | Pulley - M10            | 4                 |
| 7         | C591 2051 | Shaft Holder            | 4                 |
| 8         | C591 2007 | Were Right Tandem Tray  | 2                 |
| 9         | C591 2068 | Sensor Bracket - Middle | 2                 |
| 10        | C591 3010 | Sensor Board            | 2                 |
| 11        | C591 2005 | Drive Shaft             | 1                 |
| 12        | C591 2063 | Gear - 34x1.0           | 1                 |
| 13        | C591 2072 | Encoder                 | 1                 |
| 14        | C591 2062 | Pin - 3x20              | 2                 |
| 15        | C591 2069 | Adjusting Plate         | 6                 |
| 16        | C591 2103 | Adjusting Plate - B     | 1                 |
| 17        | C591 3028 | DC Solenoid             | 1                 |
| 18        | C591 2064 | Joint Bracket           | 1                 |
| 19        | C591 2097 | Joint Spring            | 1                 |
| 20        | C591 2024 | Joint Frame             | 1                 |
| 21        | C591 1104 | Bushing - B-F8-4        | 2                 |
| 22        | C591 2022 | Oil Dumper              | 1                 |
| 23        | C591 1253 | Right Middle Cover      | 1                 |
| 24        | C591 3312 | Harness - 16            | 1                 |
| 25        | C591 3313 | Harness - 17            | 1                 |

| Index No. | Part No.   | Description                      | Q'ty Per Assembly |
|-----------|------------|----------------------------------|-------------------|
| 101       | 0313 0060Z | Philips Pan Head Screw - M3x6    |                   |
| 102       | 0451 3006H | Tapping Screw - 3x6              |                   |
| 103       | 0451 4006H | Tapping Screw - M4x6             |                   |
| 104       | 0720 0060E | Retaining Ring - M6              |                   |
| 105       | 0720 0030E | Retaining Ring - M3              |                   |
| 106       | 1105 0407  | Mini Clamp                       |                   |
| 107       | 0353 0060Z | Screw - M3X6                     |                   |
| 108       | 0353 0040Z | Binding Head Screw M3x4 (100pcs) |                   |
| 109       | 0720 0050E | Retaining Ring - M5              |                   |
| 110       | 0451 3010H | Tapping Screw - 3x10             |                   |
| 111       | 1102 7875  | Connector                        |                   |
| 112       | 0450 3006H | Tapping Screw - 3x6              |                   |
| 113       | 0800 0072  | Philips Pan Head Screw - M2.6x4  |                   |
| 114       | 0451 3012H | Tapping Screw - 3x12             |                   |



# 5.RIGHT TANDEM TRAY 2 (C591)

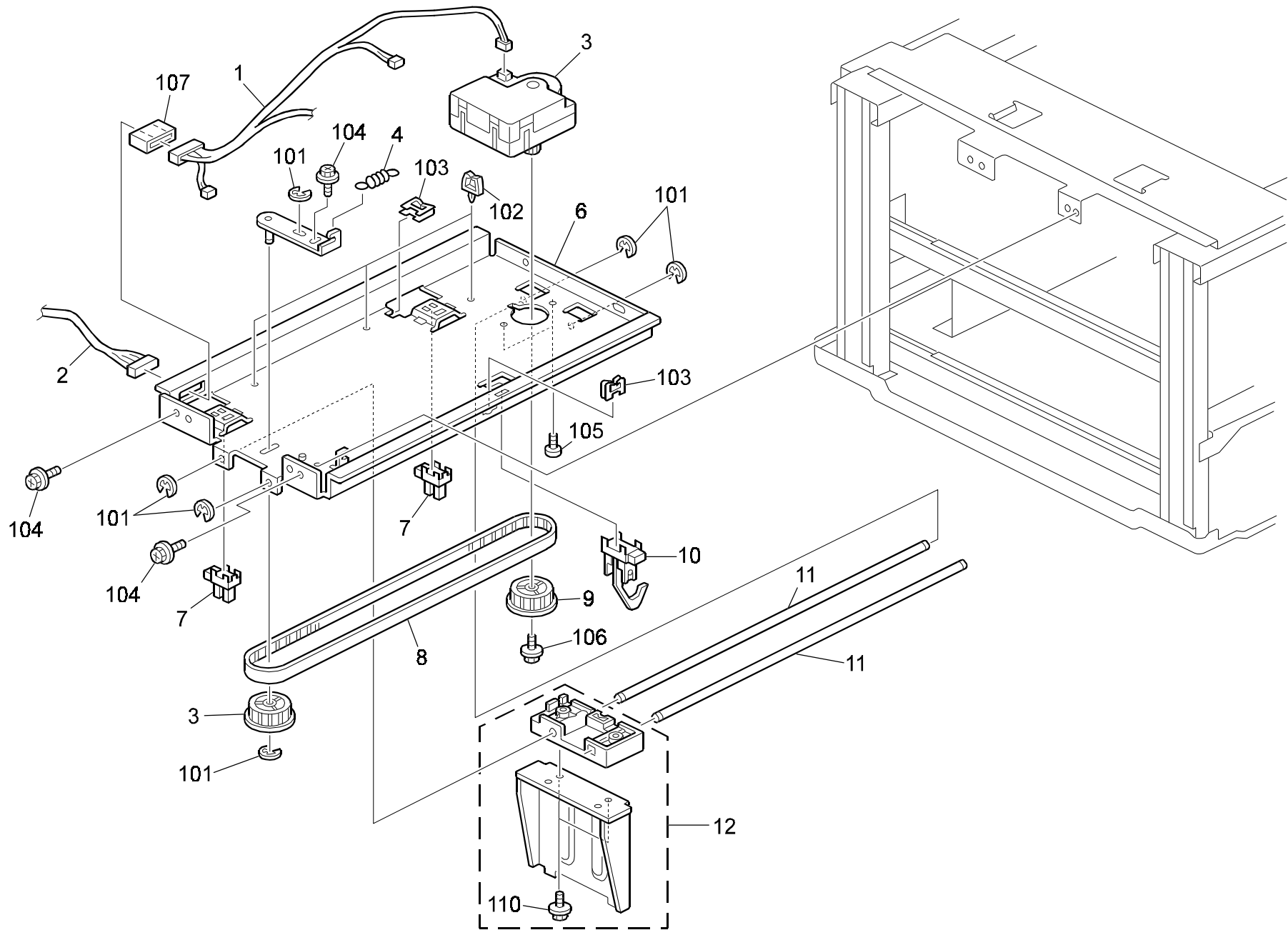


## 5.RIGHT TANDEM TRAY 2 (C591)

| Index No. | Part No.         | Description                  | Q'ty Per Assembly |
|-----------|------------------|------------------------------|-------------------|
| 1         | C591 2054        | Side Fence Rail              | 2                 |
| 2         | C591 2083        | Side Fence Guide             | 2                 |
| 3         | C591 2078        | Paper Size Sensor Bracket    | 1                 |
| 4         | C591 2079        | Side Fence                   | 2                 |
| 5         | C591 2074        | Stopper Shaft                | 1                 |
| 6         | C229 5807        | Photosensor - GP2A25         | 2                 |
| 7         | C591 2075        | Gear - 22x1.0                | 1                 |
| 8         | C591 2073        | Side Fence Bushing           | 6                 |
| 9         | C591 2096        | Shaft Stopper                | 1                 |
| 10        | C591 2014        | Side Fence Stopper Plate     | 1                 |
| 11        | C591 2015        | Right Base                   | 1                 |
| 12        | C591 2060        | Right Rear Frame             | 2                 |
| 13        | C591 2012        | Front Right Frame            | 1                 |
| 14        | AW02 0075        | Photointerruptor             | 2                 |
| 15        | <b>C591 2018</b> | <b>Friction Pad</b>          | <b>1</b>          |
| 16        | C591 2085        | Friction Pad Bracket         | 1                 |
| 17        | C591 3027        | DC Solenoid                  | 1                 |
| 18        | C591 2087        | Spring                       | 1                 |
| 19        | C591 2086        | Spring                       | 1                 |
| 20        | C591 2084        | Friction Pad Lever           | 1                 |
| 21        | C591 2019        | Friction Pad Bracket         | 1                 |
| 22        | C591 2020        | Slide Rail Bracket           | 1                 |
| 23        | C591 2110        | Right Paper Guide            | 1                 |
| 24        | C591 2104        | Lock Spring                  | 1                 |
| 25        | C591 2056        | Lower Sensor Bracket         | 1                 |
| 26        | C591 3327        | Grounding Wire - Tandem Tray | 1                 |
| 27        | C591 2076        | Side Fence Stopper           | 1                 |
| 28        | C591 2077        | Side Fence Rack              | 1                 |
| 29        | C591 2059        | Cushion - 10x10              | 4                 |
| 30        | C591 2290        | Decal - Paper Level          | 1                 |
| 31        | C591 2055        | Stepped Screw                | 2                 |

| Index No. | Part No.   | Description                      | Q'ty Per Assembly |
|-----------|------------|----------------------------------|-------------------|
| 101       | 0451 3006H | Tapping Screw - 3x6              |                   |
| 102       | 1105 0407  | Mini Clamp                       |                   |
| 103       | 0313 0060Z | Philips Pan Head Screw - M3x6    |                   |
| 104       | 0353 0040Z | Binding Head Screw M3x4 (100pcs) |                   |
| 105       | 0720 0030E | Retaining Ring - M3              |                   |
| 106       | 0720 0040E | Retaining Ring - M4              |                   |
| 107       | 1105 0329  | Clamp - ES-0510                  |                   |
| 108       | 1105 0407  | Mini Clamp                       |                   |
| 109       | 1105 0473  | Clamp - RSG-100-V0               |                   |
| 110       | 0313 0040Z | Philips Pan Head Screw - M3x4    |                   |
| 111       | 0720 0050E | Retaining Ring - M5              |                   |
| 112       | 0800 0072  | Philips Pan Head Screw - M2.6x4  |                   |
| 113       | 0720 0060E | Retaining Ring - M6              |                   |

# 6.END FENCE (C591)

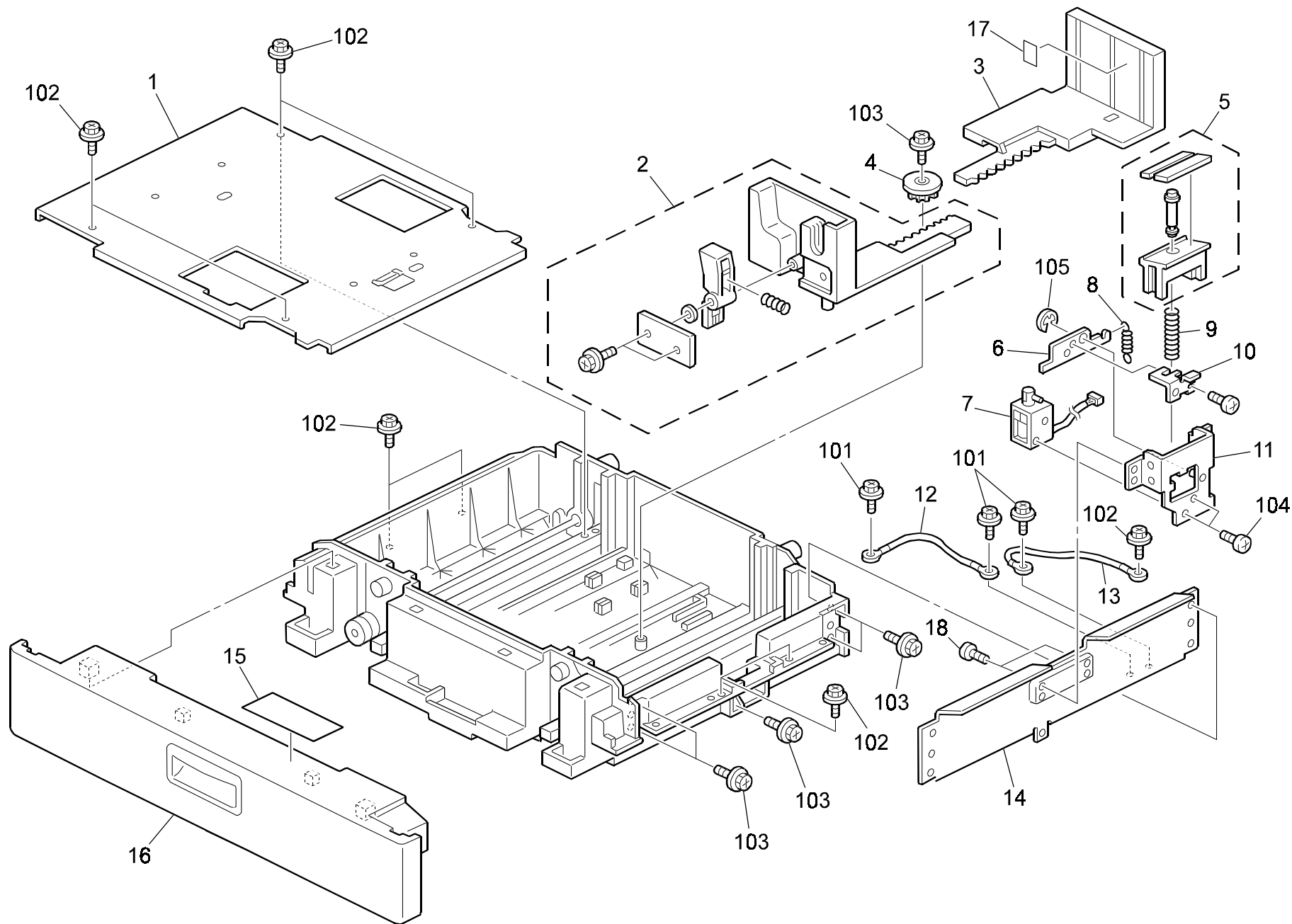


## 6.END FENCE (C591)

| Index No. | Part No.  | Description           | Q'ty Per Assembly |
|-----------|-----------|-----------------------|-------------------|
| 1         | C591 3318 | Harness - 12          | 1                 |
| 2         | C591 3311 | Harness - 07          | 1                 |
| 3         | AX04 0107 | DC Motor - 19.2W      | 1                 |
| 4         | C591 2453 | Tension Spring        | 1                 |
| 5         | C591 2403 | Tension Arm           | 1                 |
| 6         | C591 2401 | End Fence Base        | 1                 |
| 7         | AW02 0075 | Photointerruptor      | 2                 |
| 8         | C591 2460 | End Fence Timing Belt | 1                 |
| 9         | C591 2451 | Timing Pulley - A     | 1                 |
| 10        | C591 5801 | Photointerruptor      | 1                 |
| 11        | C591 2459 | End Fence Shaft       | 2                 |
| 12        | C591 2402 | End Fence Plate       | 1                 |
| 13        | C591 2455 | Timing Pulley - B     | 1                 |

| Index No. | Part No.   | Description             | Q'ty Per Assembly |
|-----------|------------|-------------------------|-------------------|
| 101       | 0720 0040E | Retaining Ring - M4     |                   |
| 102       | 1105 0328  | Harness Clamp - ES-0505 |                   |
| 103       | 1105 0319  | Harness Clamp           |                   |
| 104       | 0451 3006H | Tapping Screw - 3x6     |                   |
| 105       | 0450 3008H | Tapping Screw M3x8      |                   |
| 106       | 0450 3006H | Tapping Screw - 3x6     |                   |
| 107       | 1102 6256  | Relay Connector - 13P   |                   |
| 108       | 0450 4010H | Tapping Screw - 4x10    |                   |

# 7.PAPER TRAY 1 (C591)

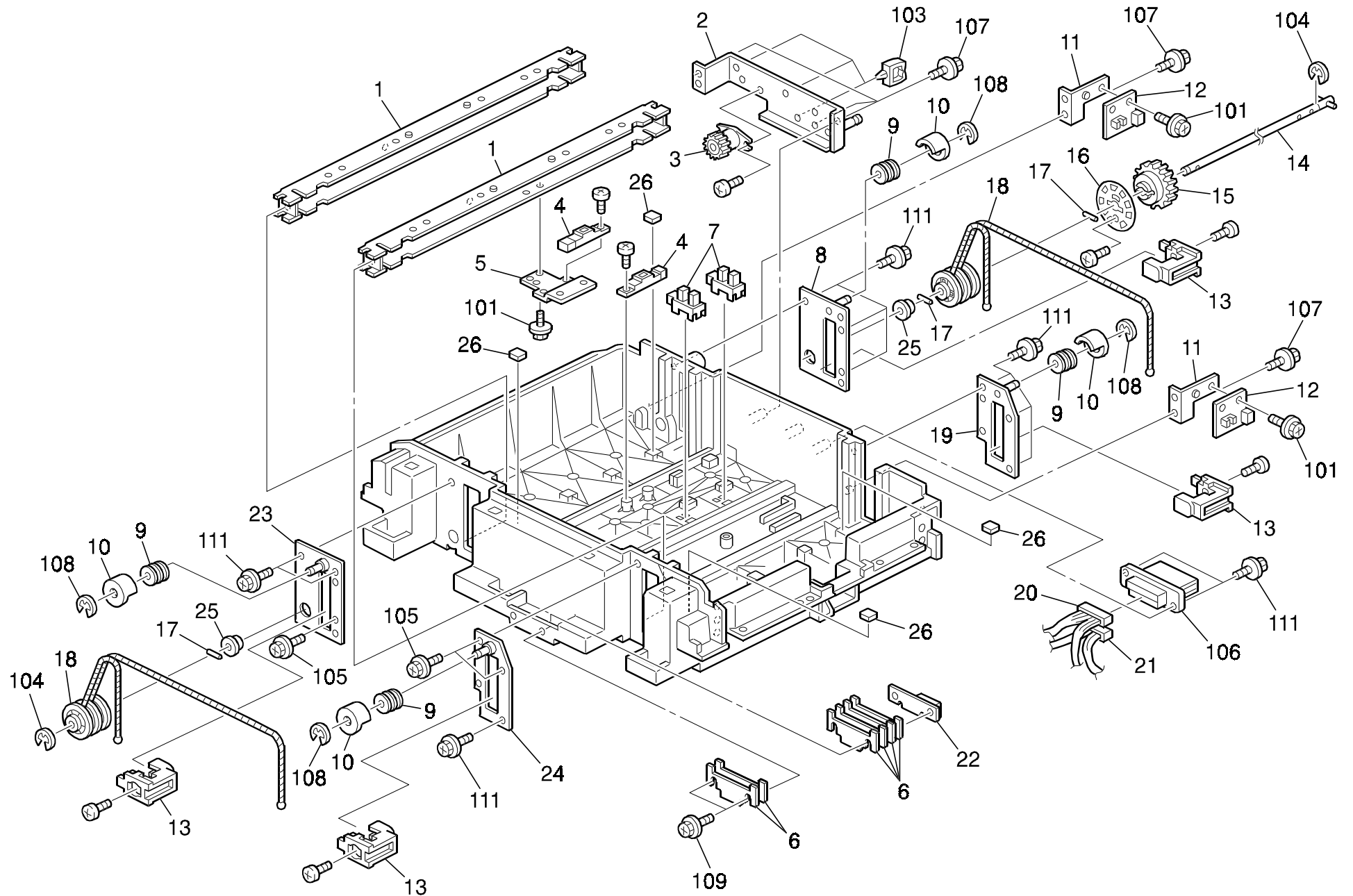


## 7.PAPER TRAY 1 (C591)

| Index No. | Part No.         | Description          | Q'ty Per Assembly |
|-----------|------------------|----------------------|-------------------|
| 1         | C591 2270        | Bottom Plate         | 1                 |
| 2         | C591 2212        | Front Side Fence     | 1                 |
| 3         | C591 2259        | Rear Side Fence      | 1                 |
| 4         | C591 2075        | Gear - 22x1.0        | 1                 |
| 5         | <b>C591 2018</b> | <b>Friction Pad</b>  | <b>1</b>          |
| 6         | C591 2085        | Friction Pad Bracket | 1                 |
| 7         | C591 3023        | DC Solenoid          | 1                 |
| 8         | C591 2087        | Spring               | 1                 |
| 9         | C591 2086        | Spring               | 1                 |
| 10        | C591 2084        | Friction Pad Lever   | 1                 |
| 11        | C591 2019        | Friction Pad Bracket | 1                 |
| 12        | C591 3325        | Grounding Wire - A   | 1                 |
| 13        | C591 3326        | Grounding Wire - C   | 1                 |
| 14        | C591 2253        | Paper Guide          | 1                 |
| 15        | C591 1301        | Decal - Paper Tray   | 1                 |
| 16        | C591 1251        | Paper Tray Cover     | 1                 |
| 17        | AA00 2010        | Decal - Paper Level  | 1                 |
| 18        | C591 2055        | Stepped Screw        | 1                 |

| Index No. | Part No.   | Description                     | Q'ty Per Assembly |
|-----------|------------|---------------------------------|-------------------|
| 101       | 0450 3010H | Tapping Screw - 3x10            |                   |
| 102       | 0451 3006H | Tapping Screw - 3x6             |                   |
| 103       | 0451 3008H | Tapping Screw - 3x8             |                   |
| 104       | 0800 0072  | Philips Pan Head Screw - M2.6x4 |                   |
| 105       | 0720 0030E | Retaining Ring - M3             |                   |

# 8.PAPER TRAY 2 (C591)



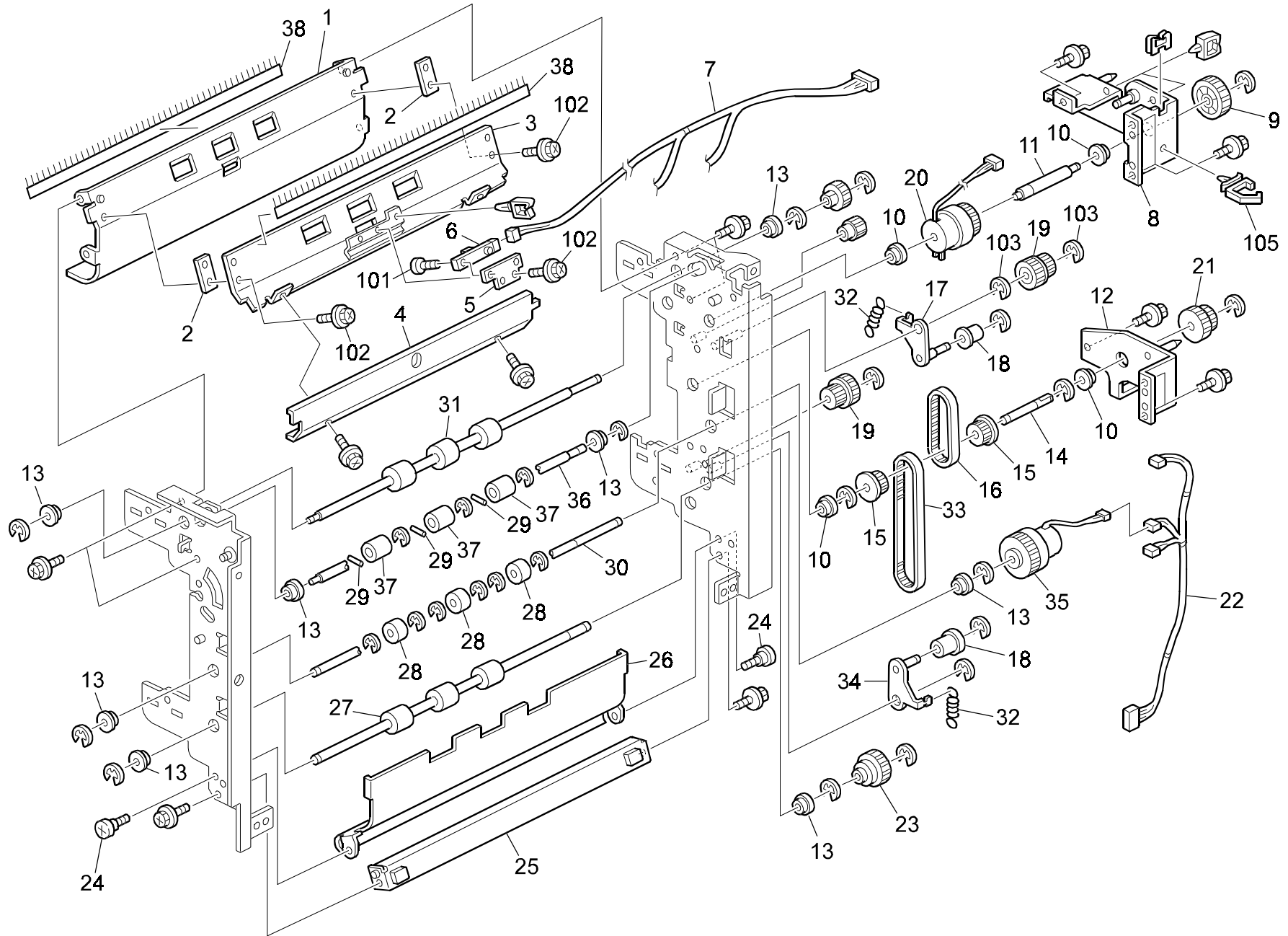
## 8.PAPER TRAY 2 (C591)

| Index No. | Part No.  | Description                  | Q'ty Per Assembly |
|-----------|-----------|------------------------------|-------------------|
| 1         | C591 2054 | Side Fence Rail              | 2                 |
| 2         | C591 2215 | Joint Frame                  | 1                 |
| 3         | C591 2022 | Oil Dumper                   | 1                 |
| 4         | C229 5807 | Photosensor - GP2A25         | 1                 |
| 5         | C591 2056 | Lower Sensor Bracket         | 1                 |
| 6         | C591 2069 | Adjusting Plate              | 6                 |
| 7         | AW02 0075 | Photointerruptor             | 2                 |
| 8         | C591 2203 | Pulley Bracket - Rear Left   | 1                 |
| 9         | AB03 2719 | Pulley - M10                 | 4                 |
| 10        | A248 6695 | Guide - Pulley               | 4                 |
| 11        | C591 2068 | Sensor Bracket - Middle      | 2                 |
| 12        | C591 3010 | Sensor Board                 | 2                 |
| 13        | C591 2051 | Shaft Holder                 | 4                 |
| 14        | C591 2005 | Drive Shaft                  | 1                 |
| 15        | C591 2063 | Gear - 34x1.0                | 1                 |
| 16        | C591 2072 | Encoder                      | 1                 |
| 17        | C591 2062 | Pin - 3x20                   | 2                 |
| 18        | C591 2216 | Drive Wire                   | 2                 |
| 19        | C591 2201 | Pulley Bracket - Rear Right  | 1                 |
| 20        | C591 3320 | Harness - 24                 | 1                 |
| 21        | C591 3319 | Harness - 23                 | 1                 |
| 22        | C591 2103 | Adjusting Plate - B          | 1                 |
| 23        | C591 2204 | Pulley Bracket - Front Left  | 1                 |
| 24        | C591 2202 | Pulley Bracket - Front Right | 1                 |
| 25        | C591 1104 | Bushing - B-F8-4             | 1                 |
| 26        | C591 2059 | Cushion - 10x10              | 1                 |

| Index No. | Part No.   | Description                       | Q'ty Per Assembly |
|-----------|------------|-----------------------------------|-------------------|
| 101       | 0451 3006H | Tapping Screw - 3x6               |                   |
| 102       | 0313 0060Z | Philips Pan Head Screw - M3x6     |                   |
| 103       | 1105 0407  | Mini Clamp                        |                   |
| 104       | 0720 0060E | Retaining Ring - M6               |                   |
| 105       | 0450 3010Z | Tapping Screw With Washer - M3x10 |                   |
| 106       | 1102 7875  | Connector                         |                   |
| 107       | 0450 3008H | Tapping Screw M3x8                |                   |
| 108       | 0720 0050E | Retaining Ring - M5               |                   |
| 109       | 0451 3012H | Tapping Screw - 3x12              |                   |



# 9.PAPER FEED SECTION 1 (C591)

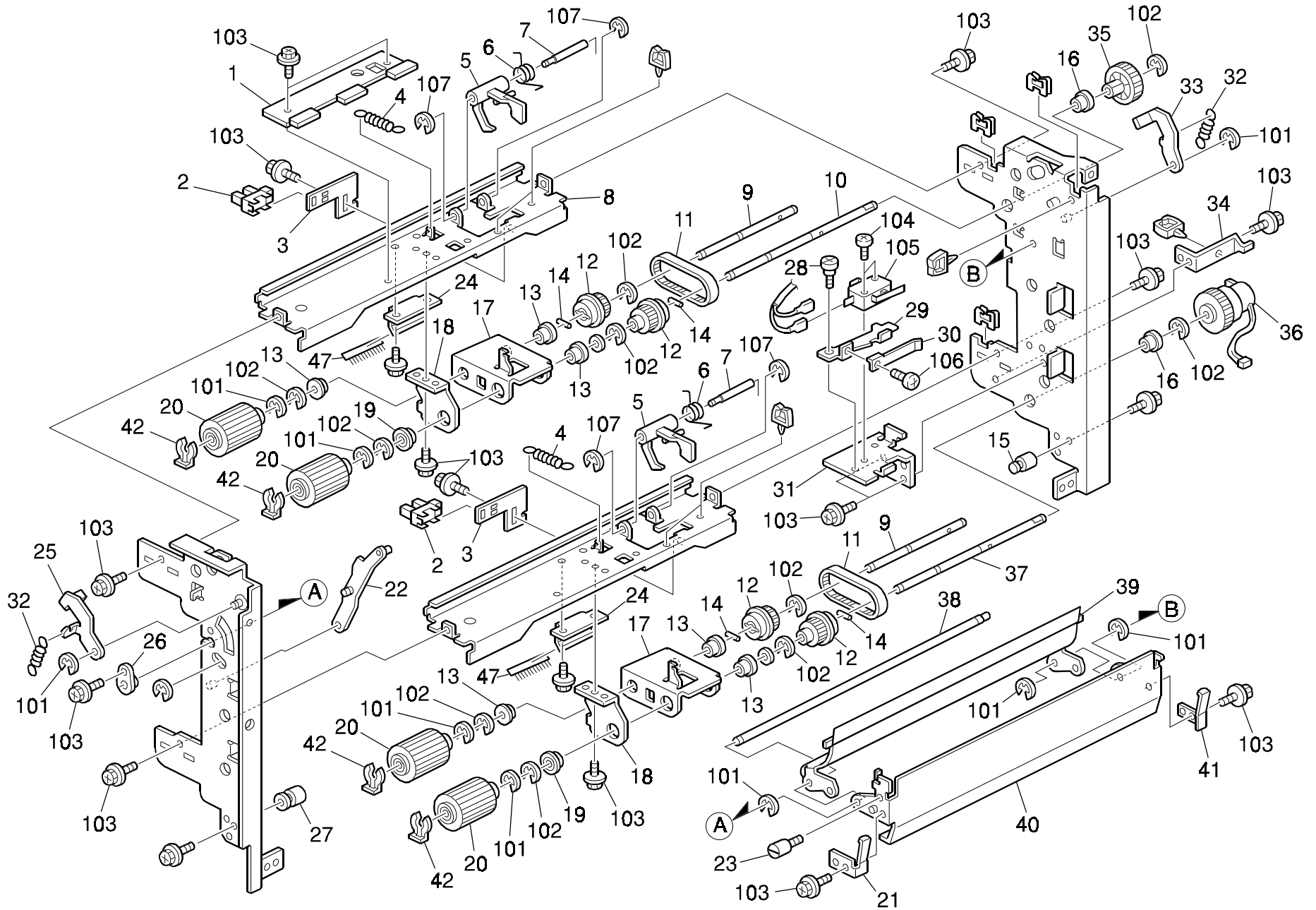


## 9.PAPER FEED SECTION 1 (C591)

| Index No. | Part No.  | Description                 | Q'ty Per Assembly |
|-----------|-----------|-----------------------------|-------------------|
| 1         | C591 1405 | Guide Plate - Registration  | 1                 |
| 2         | C591 1479 | Guide Plate Spacer          | 2                 |
| 3         | C591 1411 | Registration Guide          | 1                 |
| 4         | C591 1484 | Guide Plate Cover           | 1                 |
| 5         | C232 2963 | Sensor Bracket              | 1                 |
| 6         | C229 5807 | Photosensor - GP2A25        | 1                 |
| 7         | C591 3310 | Sensor Harness              | 1                 |
| 8         | C591 1419 | Registration Gear Bracket   | 1                 |
| 9         | C591 1506 | Clutch Gear                 | 1                 |
| 10        | C591 1099 | Ball Bearing - FLW676ZZ     | 1                 |
| 11        | C591 1505 | Clutch Shaft                | 1                 |
| 12        | C591 1428 | Feed Gear Bracket           | 1                 |
| 13        | C591 1100 | Ball Bearing - FLW678ZZ     | 2                 |
| 14        | C591 1517 | Timing Pulley Shaft         | 1                 |
| 15        | C591 1430 | Timing Pulley               | 1                 |
| 16        | C591 1520 | Timing Belt - 156-3GT-9     | 1                 |
| 17        | C591 1422 | Tension Lever - Tandem Tray | 1                 |
| 18        | C591 1510 | Tension Roller              | 1                 |
| 19        | C591 1427 | Timing Pulley               | 1                 |
| 20        | C591 1504 | Registration Roller Clutch  | 1                 |
| 21        | C591 1521 | Feed Gear                   | 1                 |
| 22        | C591 3322 | Clutch Harness              | 1                 |
| 23        | C591 1431 | Paper Tray Gear             | 1                 |
| 24        | 5419 5714 | Stepped Screw - M4          | 1                 |
| 25        | C591 1406 | Registration Lower Stay     | 1                 |
| 26        | C591 1538 | Transport Guide - C         | 1                 |
| 27        | C591 1476 | Feed Roller                 | 1                 |
| 28        | C591 1561 | Transport Roller            | 3                 |
| 29        | C591 1481 | Pin - 3x14                  | 3                 |
| 30        | C591 1564 | Transport Shaft             | 1                 |
| 31        | C591 1474 | Registration Roller         | 1                 |
| 32        | C591 1512 | Tension Spring              | 1                 |
| 33        | C591 1519 | Timing Belt - 246-3GT-9     | 1                 |
| 34        | C591 1425 | Tension Lever - Paper Tray  | 1                 |
| 35        | C591 1525 | Roller Clutch               | 1                 |

| Index No. | Part No.   | Description                  | Q'ty Per Assembly |
|-----------|------------|------------------------------|-------------------|
| 36        | C591 1480  | Roller Shaft                 | 1                 |
| 37        | C591 1482  | Registration Roller          | 1                 |
| 38        | C591 1486  | Antistatic Brysh Guide Plate | 1                 |
| 39        | C591 1506  | Clutch Gear                  | 1                 |
| 101       | 0313 0080Z | Philips Screw - 3x8          |                   |
| 102       | 0451 3006H | Tapping Screw - 3x6          |                   |
| 103       | 0720 0040E | Retaining Ring - M4          |                   |

# 10.PAPER FEED SECTION 2 (C591)

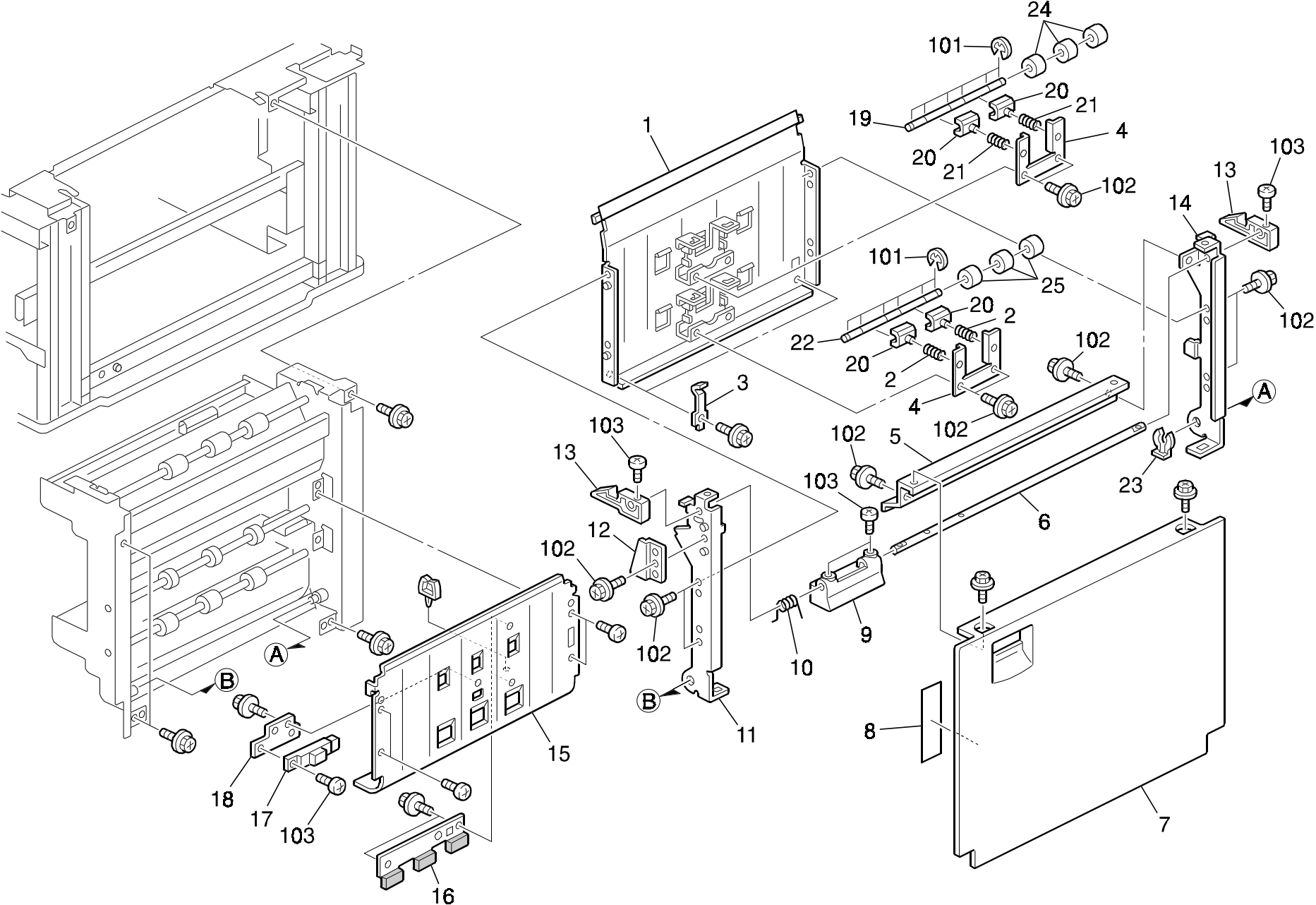


## 10.PAPER FEED SECTION 2 (C591)

| Index No. | Part No.         | Description                         | Q'ty Per Assembly |
|-----------|------------------|-------------------------------------|-------------------|
| 1         | C591 1562        | Cleaning Plate                      | 1                 |
| 2         | AW02 0075        | Photointerruptor                    | 2                 |
| 3         | C591 1473        | Sensor Bracket                      | 2                 |
| 4         | C591 1494        | Spring                              | 1                 |
| 5         | C591 1470        | Sensor Actuator                     | 2                 |
| 6         | C591 1472        | Sensor Spring                       | 2                 |
| 7         | C591 1471        | Sensor Shaft                        | 2                 |
| 8         | C591 1469        | Pick-up Stay                        | 2                 |
| 9         | C591 1492        | Pick-up Roller Shaft                | 2                 |
| 10        | C591 1491        | Separation Roller Drive Shaft       | 1                 |
| 11        | C229 2949        | Timing Belt - 75-MXL-64             | 2                 |
| 12        | C229 2950        | Feed Rooler Drive Pulley            | 4                 |
| 13        | C591 1104        | Bushing - B-F8-4                    | 6                 |
| 14        | C591 1481        | Pin - 3x14                          | 4                 |
| 15        | C591 1566        | Rear Positioning Pin                | 1                 |
| 16        | C591 1100        | Ball Bearing - FLW678ZZ             | 2                 |
| 17        | C591 1489        | Pick-up Arm                         | 2                 |
| 18        | C591 1490        | Pick-up Arm Guide                   | 1                 |
| 19        | C591 1098        | Ball Bearing - FLW688ZZ             | 2                 |
| <b>20</b> | <b>C591 1416</b> | <b>Paper Feed Roller Paper Bank</b> | <b>4</b>          |
| 21        | C591 1523        | Spring Plate                        | 1                 |
| 22        | C591 1433        | Release Lever                       | 1                 |
| 23        | C591 1535        | Stepped Screw                       | 1                 |
| 24        | C591 1457        | Bracket Antistatic Brush Peper Bank | 1                 |
| 25        | C591 1454        | Registration Front Lever            | 1                 |
| 26        | AA08 0017        | Supporter - Drive Roller            | 1                 |
| 27        | C591 1453        | Front Positioning Pin               | 1                 |
| 28        | C218 2185        | Stepper Screw                       | 1                 |
| 29        | C224 2172        | Safety Switch Lever                 | 1                 |
| 30        | C218 2173        | Support Plate - Safety Switch - LT  | 1                 |
| 31        | C591 1527        | Switch Bracket                      | 1                 |
| 32        | C591 1483        | Lever Spring                        | 1                 |
| 33        | C591 1463        | Registration Rear Lever             | 1                 |
| 34        | C591 1464        | Magnetic Clutch Holder              | 1                 |
| 35        | C591 1493        | Pick-up Roller Drive Gear           | 1                 |

| Index No. | Part No.   | Description                    | Q'ty Per Assembly |
|-----------|------------|--------------------------------|-------------------|
| 36        | C591 1526  | Roller Clutch - Feed           | 1                 |
| 37        | C591 1495  | Separation Roller Shaft        | 1                 |
| 38        | C591 1533  | Guide Shaft - A                | 1                 |
| 39        | C591 1435  | Transport Guide Plate - A1     | 1                 |
| 40        | C591 1532  | Transport Guide - A2           | 1                 |
| 41        | C591 1549  | Spring Plate - Rear Guide      | 1                 |
| 42        | C209 3133  | Retaining Ring - M6            | 4                 |
| 43        | C591 1444  | Front Frame                    | 1                 |
| 44        | C591 1404  | Rear Frame                     | 1                 |
| 45        | C591 1156  | Collar - 8x5                   | 1                 |
| 46        | C591 3321  | Switch Harness                 | 1                 |
| 47        | C591 1485  | Antistatic Brush Paper Bank    | 2                 |
| 101       | 0720 0050E | Retaining Ring - M5            |                   |
| 102       | 0720 0060E | Retaining Ring - M6            |                   |
| 103       | 0451 3006H | Tapping Screw - 3x6            |                   |
| 104       | 0313 0140Z | Philips Pan Head Screw - M3x14 |                   |
| 105       | 1204 1442  | Micro Switch - V-152-3A5(10E)  |                   |
| 106       | 0313 0050Z | Philips Screw - 3x5            |                   |
| 107       | 0720 0020E | Retaining Ring - M2            |                   |

# 11.VERTICAL TRANSPORT (C591)

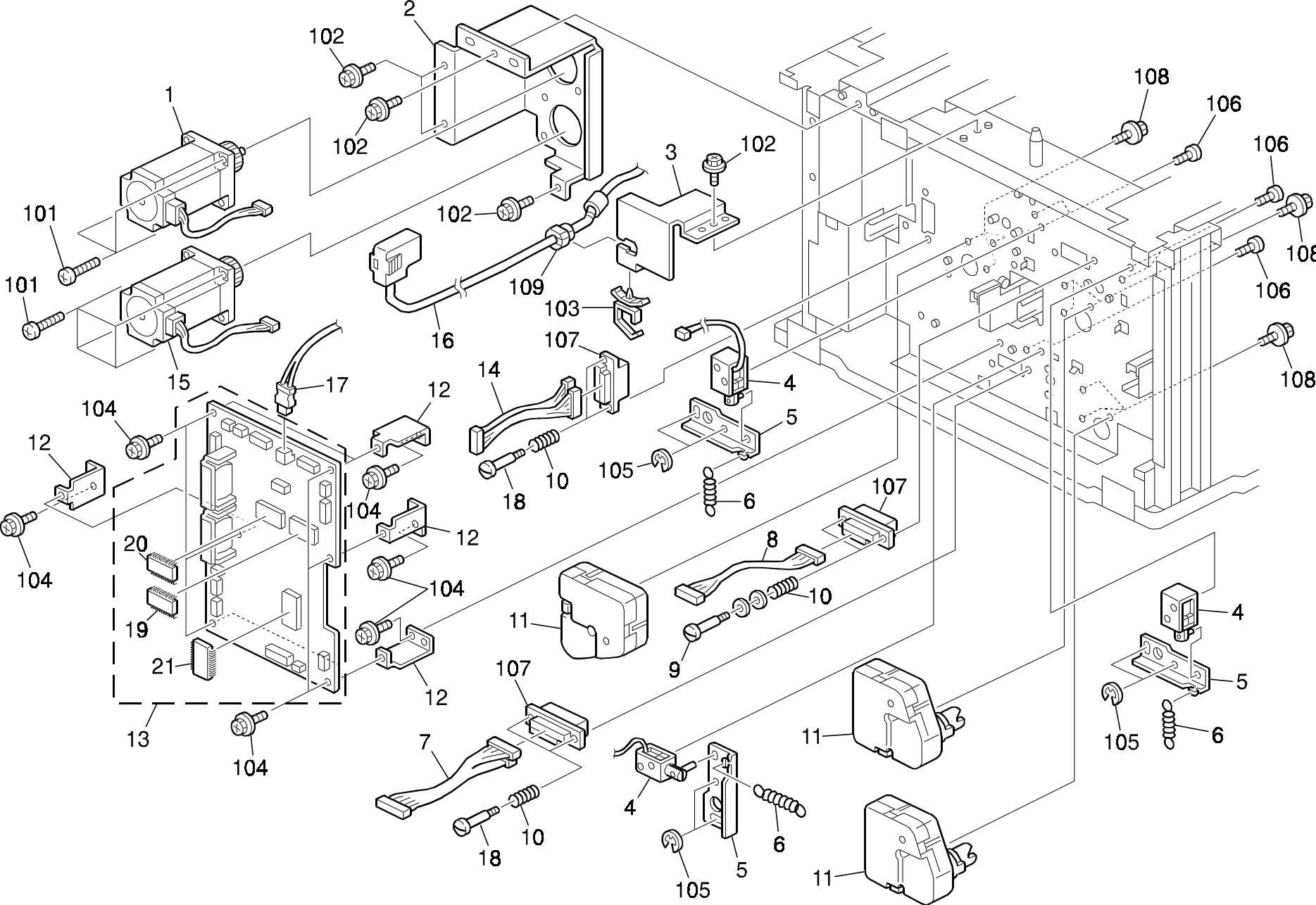


## 11.VERTICAL TRANSPORT (C591)

| Index No. | Part No.  | Description                      | Q'ty Per Assembly |
|-----------|-----------|----------------------------------|-------------------|
| 1         | C591 1441 | Vertical Transport Guise         | 1                 |
| 2         | C591 1548 | Pressure Spring - B              | 2                 |
| 3         | C591 1542 | Spring Plate                     | 2                 |
| 4         | C591 1546 | Transport Roller Holder          | 2                 |
| 5         | C591 1557 | Vertical Transport Bracket       | 1                 |
| 6         | C591 1553 | Shaft Cover - Vertical Transport | 1                 |
| 7         | C591 1560 | Vertical Transport Cover         | 1                 |
| 8         | C591 1700 | Decal - Vertical Transport       | 1                 |
| 9         | C591 1554 | Vertical Release Lever           | 1                 |
| 10        | C591 1556 | Lock Spring                      | 1                 |
| 11        | C591 1550 | Front Frame - Vertical Transport | 1                 |
| 12        | C591 1551 | Support Plate                    | 1                 |
| 13        | C591 1555 | Lock Lever                       | 2                 |
| 14        | C591 1552 | Rear Frame - Vertical Transport  | 1                 |
| 15        | C591 1437 | Transport Guide Plate - B        | 1                 |
| 16        | C591 1562 | Cleaning Plate                   | 1                 |
| 17        | C229 5807 | Photosensor - GP2A25             | 1                 |
| 18        | C232 2963 | Sensor Bracket                   | 1                 |
| 19        | C591 1544 | Transport Roller Shaft - Upper   | 1                 |
| 20        | C232 2983 | Bushing - 6mm                    | 4                 |
| 21        | C591 1547 | Pressure Spring - A              | 2                 |
| 22        | C591 1565 | Transport Roller Shaft - Lower   | 1                 |
| 23        | C209 3133 | Retaining Ring - M6              | 1                 |
| 24        | C591 1545 | Vertical Transport Roller        | 3                 |
| 25        | C591 1567 | Vertical Transport Roller        | 3                 |

| Index No. | Part No.   | Description         | Q'ty Per Assembly |
|-----------|------------|---------------------|-------------------|
| 101       | 0720 0040E | Retaining Ring - M4 |                   |
| 102       | 0451 3006H | Tapping Screw - 3x6 |                   |
| 103       | 0313 0080Z | Philips Screw - 3x8 |                   |

# 12.ELECTRICAL/DRIVE SECTION (C591)



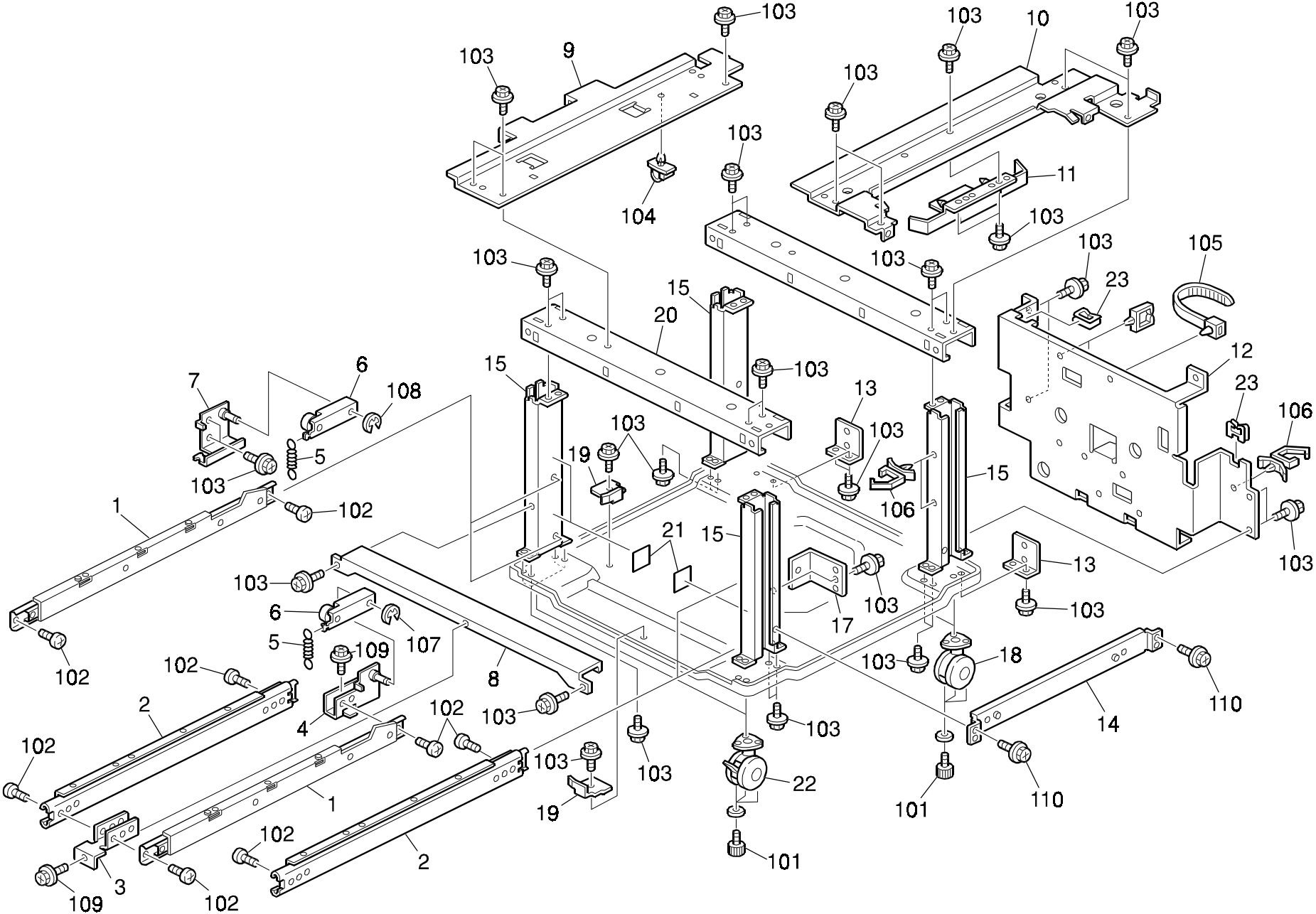
## 12.ELECTRICAL/DRIVE SECTION (C591)

| Index No. | Part No.  | Description         | Q'ty Per Assembly |
|-----------|-----------|---------------------|-------------------|
| 1         | C591 3020 | Registration Motor  | 1                 |
| 2         | C591 1073 | Motor Holder        | 1                 |
| 3         | C591 1074 | Bracket             | 1                 |
| 4         | C591 1003 | Paper Lock Solenoid | 3                 |
| 5         | C591 1053 | Frame Rear Bracket  | 3                 |
| 6         | C591 1056 | Lock Spring         | 3                 |
| 7         | C591 3323 | Harness - 04        | 1                 |
| 8         | C591 3317 | Harness - 05        | 1                 |
| 9         | C591 1052 | Connector Shaft     | 6                 |
| 10        | C591 1055 | Connector Spring    | 6                 |
| 11        | A248 6167 | DC Motor - 19.2W    | 3                 |
| 12        | C591 1054 | Board Bracket       | 4                 |
| 13        | C591 3000 | Bank Control Board  | 1                 |
| 14        | C591 3316 | Harness - 06        | 1                 |
| 15        | C591 3021 | Paper Feed Motor    | 1                 |
| 16        | C591 3300 | Interface Cable     | 1                 |
| 17        | C591 3301 | Optical Cable       | 1                 |
| 18        | C591 1052 | Connector Shaft     | 4                 |
| 19        | C591 3011 | EPROM EVEN          | 1                 |
| 20        | C591 3012 | EPROM ODD           | 1                 |
| 21        | C591 3013 | EPROM SLV           | 1                 |

| Index No. | Part No.   | Description                     | Q'ty Per Assembly |
|-----------|------------|---------------------------------|-------------------|
| 101       | 0314 0080Z | Philips Screw - 4x8             |                   |
| 102       | 0451 4008H | Tapping Screw - 4x8             |                   |
| 103       | 1105 0310  | Harness Clamp - LWS-1S          |                   |
| 104       | 0451 3006H | Tapping Screw - 3x6             |                   |
| 105       | 0720 0030E | Retaining Ring - M3             |                   |
| 106       | 0800 0072  | Philips Pan Head Screw - M2.6x4 |                   |
| 107       | 1107 7876  | Connector - 55031-2811          |                   |
| 108       | 0450 4008H | Tapping Screw - M4x8            |                   |
| 109       | 1106 0250  | Cord Stopper - 115V             |                   |



# 13.FRAME SECTION (C591)

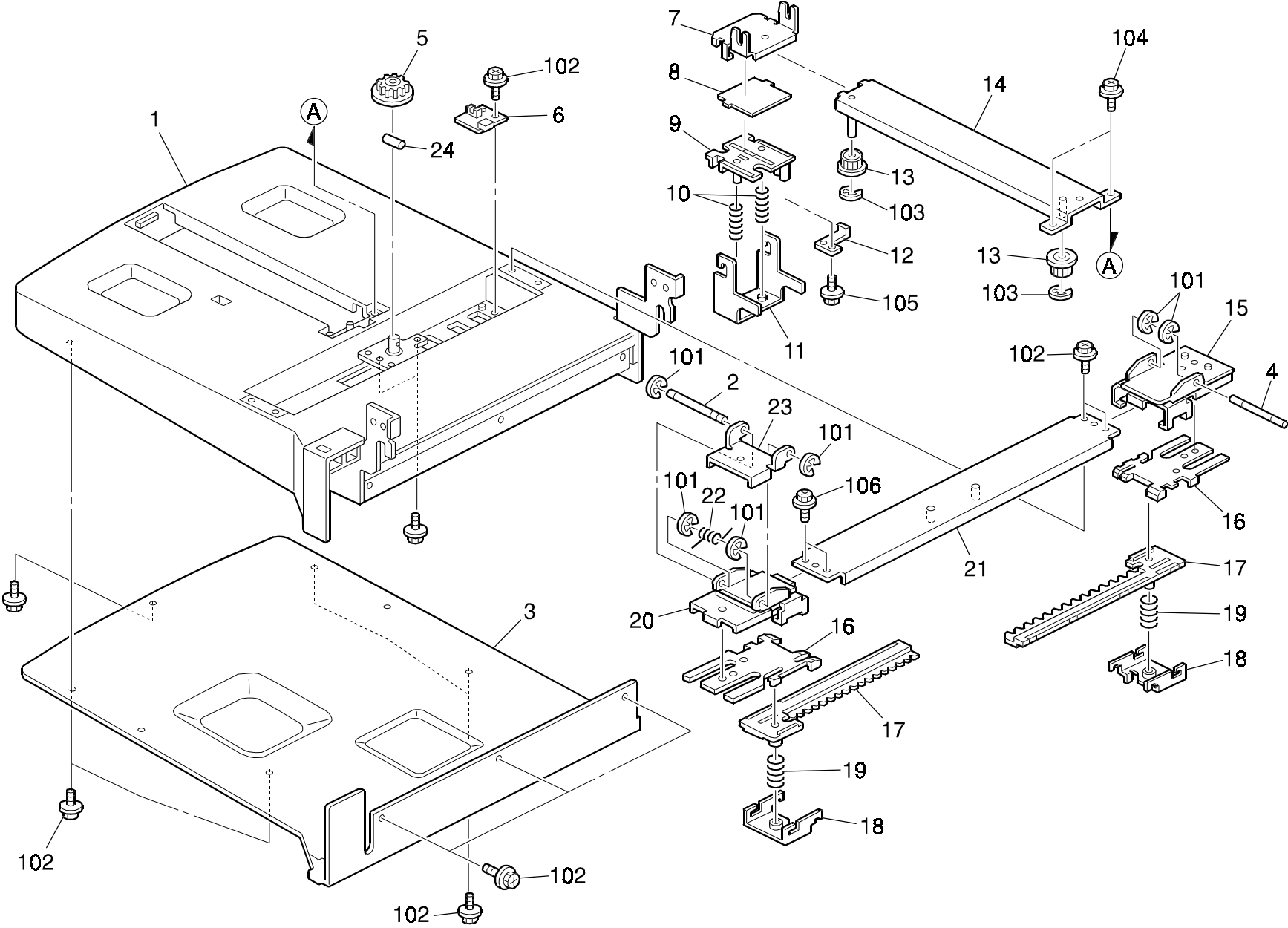


### 13.FRAME SECTION (C591)

| Index No. | Part No.  | Description              | Q'ty Per Assembly |
|-----------|-----------|--------------------------|-------------------|
| 1         | C591 1065 | Left Slide Rail          | 2                 |
| 2         | C591 1064 | Right Slide Rail         | 2                 |
| 3         | C591 1062 | Slide Rail Front Bracket | 1                 |
| 4         | C591 1008 | Slide Rail Rear Bracket  | 4                 |
| 5         | C591 1063 | Slide Rail Spring        | 1                 |
| 6         | A096 6266 | Tray Lock Arm            | 2                 |
| 7         | C591 1011 | Left Slide Rail Bracket  | 2                 |
| 8         | C591 1114 | Bank Front Stay          | 1                 |
| 9         | C591 1093 | Left Frame               | 1                 |
| 10        | C591 1090 | Right Frame              | 1                 |
| 11        | C591 1012 | End Fence Stay           | 1                 |
| 12        | C591 1050 | Rear Frame               | 1                 |
| 13        | C591 1115 | Stand Bracket            | 2                 |
| 14        | C591 1117 | Bank Frame Stay          | 1                 |
| 15        | C591 1112 | Support Stay             | 4                 |
| 16        | C591 1070 | Base Frame               | 1                 |
| 17        | C591 1111 | Slide Rail Bracket       | 1                 |
| 18        | C546 2038 | Caster                   | 2                 |
| 19        | C591 1058 | Stopper Bracket          | 2                 |
| 20        | C591 1095 | Upper Frame              | 2                 |
| 21        | C591 1075 | Guide Seal               | 2                 |
| 22        | C546 2039 | Caster With Stopper      | 2                 |
| 23        | C591 1173 | Edge Saddle - SB-1909    | 1                 |
| 24        | C591 1007 | Middle Slide Rail        | 1                 |
| 25        | C591 1010 | Left Rail Bracket        | 1                 |

| Index No. | Part No.   | Description                     | Q'ty Per Assembly |
|-----------|------------|---------------------------------|-------------------|
| 101       | 0595 0080Z | Bolt - M5x8                     |                   |
| 102       | 0354 0060Z | Philips Truss Head Screw - M4x6 |                   |
| 103       | 0451 3006H | Tapping Screw - 3x6             |                   |
| 104       | 1105 0095  | Cord Clamp - 6.5mm              |                   |
| 105       | 1105 0473  | Clamp - RSG-100-V0              |                   |
| 106       | 1105 0310  | Harness Clamp - LWS-1S          |                   |
| 107       | 0720 0030E | Retaining Ring - M3             |                   |
| 108       | 0720 0040E | Retaining Ring - M4             |                   |
| 109       | 0451 4006H | Tapping Screw - M4x6            |                   |
| 110       | 0353 0060M | Tapping Screw - M3X6            |                   |

14.DELEVERY TABLE 1 (C591)

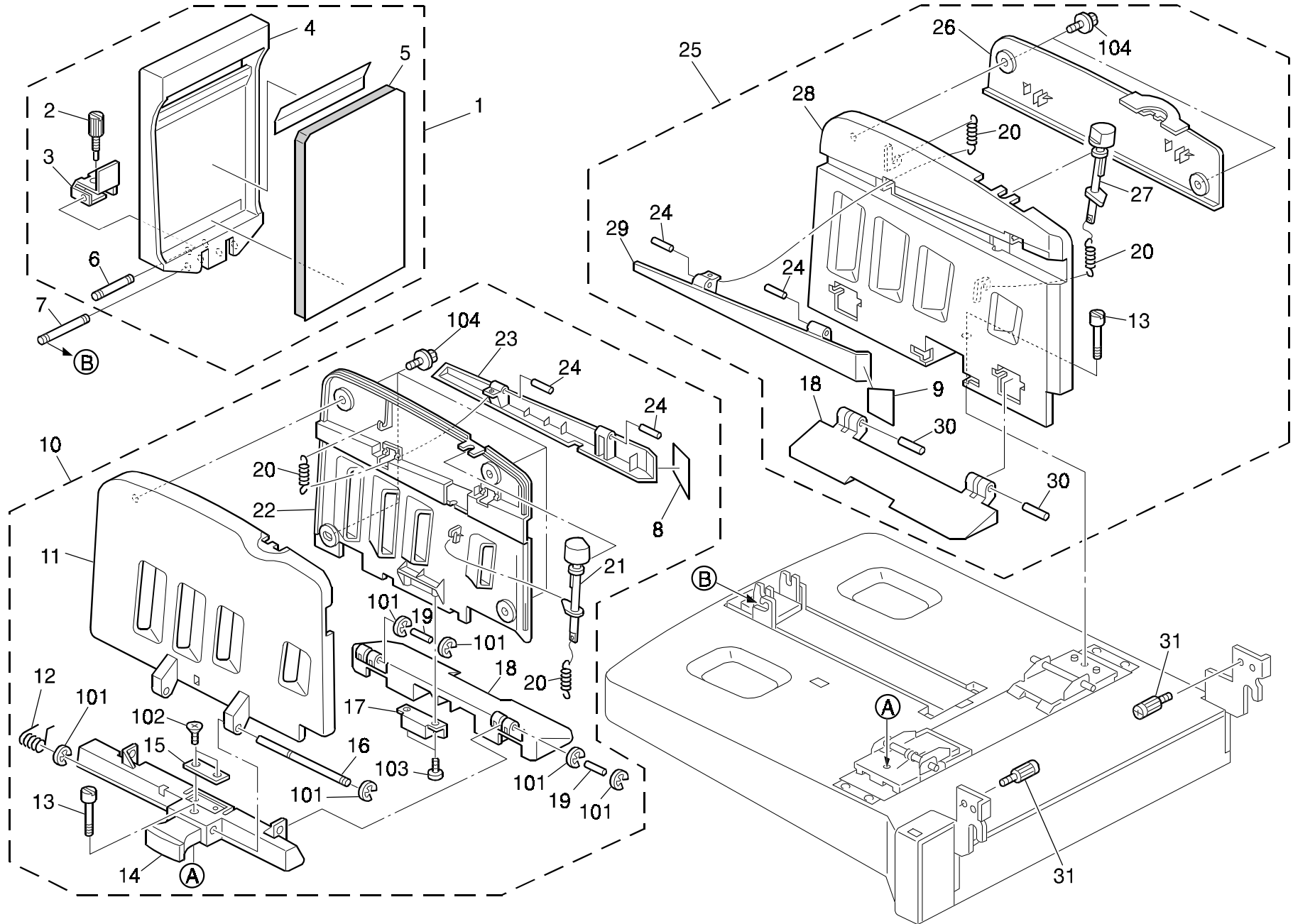


### 14.DELEVERY TABLE 1 (C591)

| Index No. | Part No.  | Description               | Q'ty Per Assembly |
|-----------|-----------|---------------------------|-------------------|
| 1         | C591 4050 | Table                     | 1                 |
| 2         | C229 4416 | Shaft - Fornt Side Fence  | 1                 |
| 3         | C591 4140 | Table Base                | 1                 |
| 4         | C229 4406 | Side Fence Shaft          | 1                 |
| 5         | C591 2075 | Gear - 22x1.0             | 1                 |
| 6         | C591 3010 | Sensor Board              | 1                 |
| 7         | C591 4096 | End Fence Slider - UU     | 1                 |
| 8         | C591 4097 | End Fence Slider - UD     | 1                 |
| 9         | C591 4093 | End Fence Slider - DU     | 1                 |
| 10        | C591 4087 | Spring Plate              | 2                 |
| 11        | C591 4100 | End Fence Slider          | 1                 |
| 12        | C591 4088 | End Fence Sensor          | 1                 |
| 13        | C591 4081 | End Fence Pulley - Left   | 2                 |
| 14        | C591 4090 | End Fence Rail            | 1                 |
| 15        | C591 4023 | Rear Slider - Side Fence  | 1                 |
| 16        | C229 4393 | Middle Slider             | 2                 |
| 17        | C591 4062 | Side Fence Rack           | 2                 |
| 18        | C591 4066 | Side Fence Slider         | 2                 |
| 19        | C591 4059 | Spring Plate              | 2                 |
| 20        | C591 4021 | Front Slider - Side Fence | 1                 |
| 21        | C591 4019 | Side Fence Rail           | 1                 |
| 22        | C229 4389 | Spring - Front Side Fence | 1                 |
| 23        | C229 4399 | Base - Front Side Fence   | 1                 |
| 24        | C591 4075 | Pin - 2-12                | 1                 |
| 25        | C591 4078 | End Fence Pulley - Right  | 1                 |

| Index No. | Part No.   | Description         | Q'ty Per Assembly |
|-----------|------------|---------------------|-------------------|
| 101       | 0720 0030E | Retaining Ring - M3 |                   |
| 102       | 0451 3006H | Tapping Screw - 3x6 |                   |
| 103       | 0720 0040E | Retaining Ring - M4 |                   |
| 104       | 0451 3008H | Tapping Screw - 3x8 |                   |
| 105       | 0450 3008H | Tapping Screw M3x8  |                   |

# 15.DELEVERY TABLE 2 (C591)

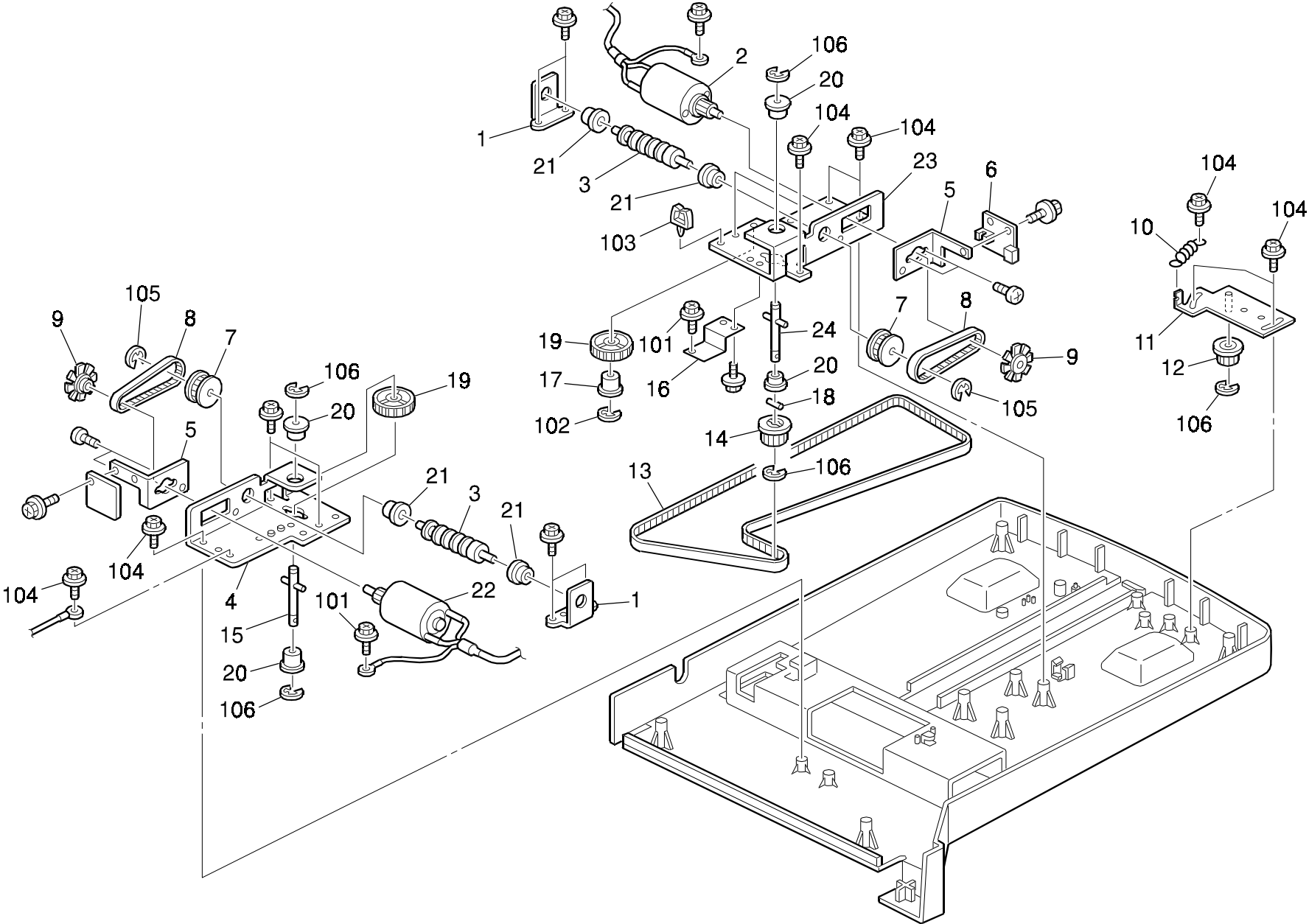


### 15.DELEVERY TABLE 2 (C591)

| Index No. | Part No.  | Description                   | Q'ty Per Assembly |
|-----------|-----------|-------------------------------|-------------------|
| 1         | C591 4370 | End Fence Ass'y               | 1                 |
| 2         | C207 4150 | Fixing Screw                  | 1                 |
| 3         | C229 4372 | Fixing Screw Bracket          | 1                 |
| 4         | C229 4377 | End Fence Ass'y               | 1                 |
| 5         | C229 4376 | End Fence Cushion             | 1                 |
| 6         | C229 4373 | Adjust Shaft                  | 1                 |
| 7         | C591 4086 | End Fence Shaft               | 1                 |
| 8         | C229 4428 | Front Exit Guide Plate        | 1                 |
| 9         | C229 4410 | Rear Exit Guide Plate         | 1                 |
| 10        | C591 4430 | Front Side Fence Ass'y        | 1                 |
| 11        | C229 4421 | Front Side Fence              | 1                 |
| 12        | C229 4455 | Side Fence Relase Spring      | 1                 |
| 13        | C229 4457 | Knob Screw                    | 1                 |
| 14        | C229 4461 | Front Holder - Side Fence     | 1                 |
| 15        | C209 6136 | Magnet Plate                  | 1                 |
| 16        | C229 4452 | Side Fence Shaft              | 1                 |
| 17        | 5054 0536 | Magnet Catch Ass'y            | 1                 |
| 18        | C229 4453 | Lower Adjusting Plate         | 1                 |
| 19        | C229 4459 | Exit Paper Guide Pin          | 1                 |
| 20        | C223 5031 | Lower Spring - Separation     | 1                 |
| 21        | C229 4424 | Front Release Arm             | 1                 |
| 22        | C229 4422 | Front Middle Guide            | 1                 |
| 23        | C229 4427 | Upper Exit Guide - Front      | 1                 |
| 24        | C227 6156 | Upper Guide Shaft             | 1                 |
| 25        | C591 4400 | Rear Side Fence Ass'y         | 1                 |
| 26        | C229 4401 | Rear Side Fence               | 1                 |
| 27        | C229 4407 | Rear Release Arm              | 1                 |
| 28        | C229 4402 | Rear Middle Guide             | 1                 |
| 29        | C229 4405 | Upper Exit Guide - Rear       | 1                 |
| 30        | C229 4404 | Rear Shaft - Exit Paper Guide | 1                 |
| 31        | C229 4487 | Knob Screw                    | 2                 |

| Index No. | Part No.   | Description           | Q'ty Per Assembly |
|-----------|------------|-----------------------|-------------------|
| 101       | 0720 0030E | Retaining Ring - M3   |                   |
| 102       | 0802 5097  | Tapping Screw - M3x10 |                   |
| 103       | 0452 3008B | Tapping Screw - M3x8  |                   |
| 104       | 0450 4010H | Tapping Screw - 4x10  |                   |

16.DELEVERY TABLE 3 (C591)



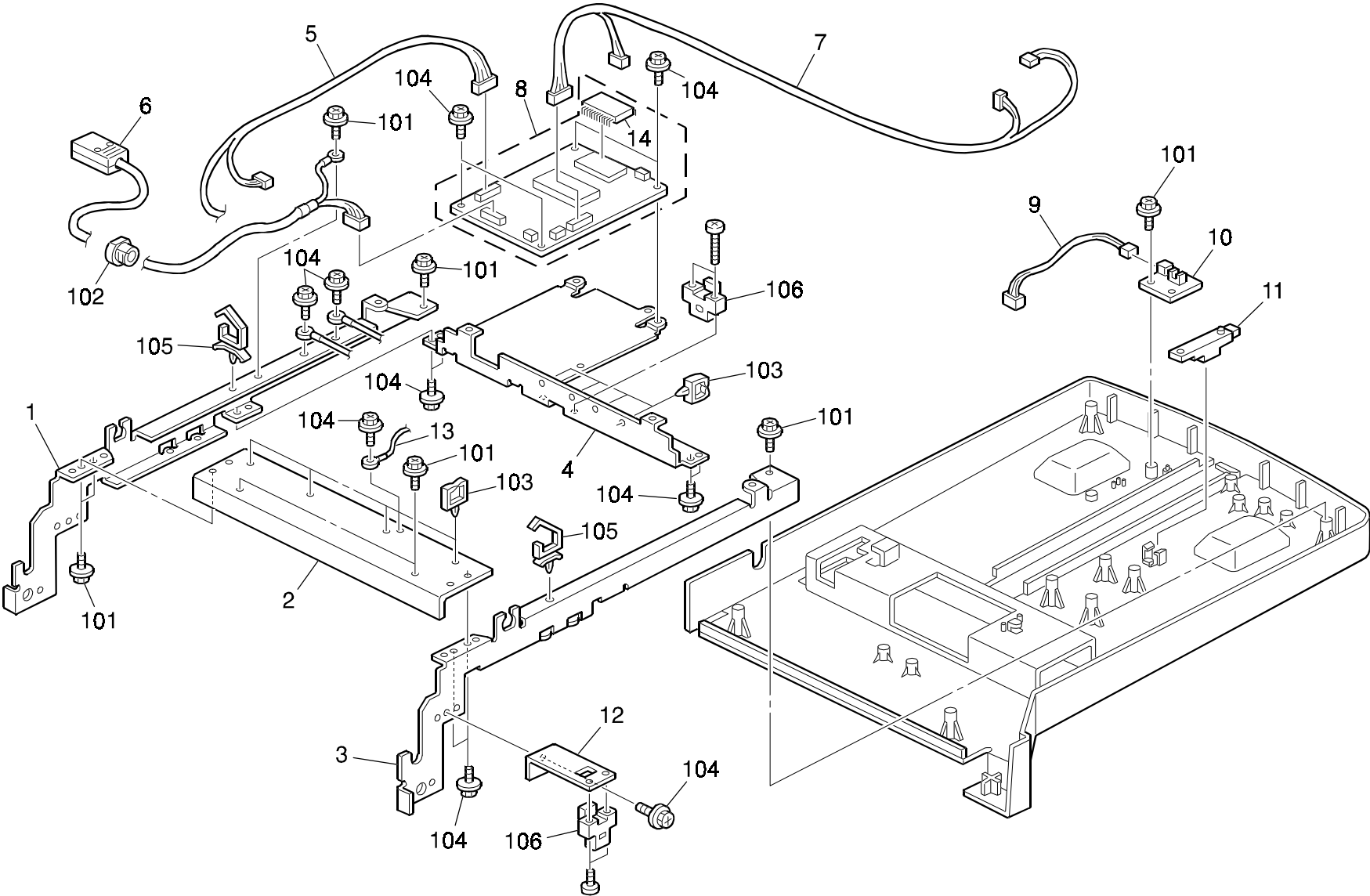
### 16.DELEVERY TABLE 3 (C591)

| Index No. | Part No.  | Description                     | Q'ty Per Assembly |
|-----------|-----------|---------------------------------|-------------------|
| 1         | C591 4064 | Shaft Holder                    | 2                 |
| 2         | C591 4026 | DC Motor 2 - RS-360RH-12420     | 1                 |
| 3         | C591 4063 | Warm Shaft - 1x0.8              | 2                 |
| 4         | C591 4068 | Base Frame                      | 2                 |
| 5         | C591 4070 | Sensor Bracket                  | 2                 |
| 6         | C591 3010 | Sensor Board                    | 1                 |
| 7         | C591 4025 | Pulley - 30-S1.5M-W7.3          | 1                 |
| 8         | C591 4067 | Timing Belt - S1.5M-91.5-4.0    | 1                 |
| 9         | C591 4076 | Encoder                         | 1                 |
| 10        | C591 4098 | Spring Plate                    | 1                 |
| 11        | C591 4095 | Tension Bracket                 | 1                 |
| 12        | C591 4094 | End Fence Shaft                 | 1                 |
| 13        | C591 4083 | Timing Belt - 690-2GT-6.0       | 1                 |
| 14        | C591 4092 | End Fence Pulley - 27-2GT-W10.2 | 1                 |
| 15        | C591 4074 | Side Fence Shaft                | 1                 |
| 16        | C591 4091 | Grounding Plate                 | 1                 |
| 17        | C591 1510 | Tension Roller                  | 1                 |
| 18        | C591 4075 | Pin - 2-12                      | 1                 |
| 19        | C591 4079 | Warm Wheel - 37x0.8             | 1                 |
| 20        | C591 4150 | Bushing - B-F6-163              | 1                 |
| 21        | C591 4151 | Bushing - B-F4-50               | 1                 |
| 22        | C591 4030 | DC Motor 1 - RS-360RH-12420     | 1                 |
| 23        | C591 4039 | Base Frame                      | 1                 |

| Index No. | Part No.   | Description           | Q'ty Per Assembly |
|-----------|------------|-----------------------|-------------------|
| 101       | 0451 3006H | Tapping Screw - 3x6   |                   |
| 102       | 0720 0040E | Retaining Ring - M4   |                   |
| 103       | 1105 0229  | Clamp                 |                   |
| 104       | 0450 3008H | Tapping Screw M3x8    |                   |
| 105       | 0720 0025E | Retaining Ring - M2.5 |                   |
| 106       | 0720 0040E | Retaining Ring - M4   |                   |
| 107       | 0622 0100E | Spring Pin - 2x10mm   |                   |



17.DELEVERY TABLE 4 (C591)



### 17.DELEVERY TABLE 4 (C591)

| Index No. | Part No.  | Description                | Q'ty Per Assembly |
|-----------|-----------|----------------------------|-------------------|
| 1         | C591 4052 | Rear Frame                 | 1                 |
| 2         | C591 4055 | Right Stay                 | 1                 |
| 3         | C591 4053 | Front Frame                | 1                 |
| 4         | C591 4056 | Left Stay                  | 1                 |
| 5         | C591 4310 | Harness - 0202             | 1                 |
| 6         | C591 4300 | Interface Cable            | 1                 |
| 7         | C591 4312 | Harness - 0203             | 1                 |
| 8         | C591 4200 | Main Control Board         | 1                 |
| 9         | C591 4311 | Harness - 0201             | 1                 |
| 10        | C591 3010 | Sensor Board               | 1                 |
| 11        | C229 5807 | Photosensor - GP2A25       | 1                 |
| 12        | C591 4054 | Sensor Holder              | 1                 |
| 13        | C591 4315 | Grounding Wire             | 1                 |
| 14        | C591 4210 | Paper Delivery Table Eprom | 1                 |

| Index No. | Part No.   | Description             | Q'ty Per Assembly |
|-----------|------------|-------------------------|-------------------|
| 101       | 0450 3008H | Tapping Screw M3x8      |                   |
| 102       | 1106 0713  | Cable Holder            |                   |
| 103       | 1105 0229  | Clamp                   |                   |
| 104       | 0451 3006H | Tapping Screw - 3x6     |                   |
| 105       | 1105 0310  | Harness Clamp - LWS-1S  |                   |
| 106       | 1403 0456  | Photosensor - EE-SB5-C3 |                   |

# **PARTS INDEX**

## PM Parts Index

| Section Name                | Part No.  | Description in Service Manual | Description in Parts Catalog | Q'ty Per Assembly | Page and Index No |
|-----------------------------|-----------|-------------------------------|------------------------------|-------------------|-------------------|
| PAPER TRAY 1 (C591)         | C591 2018 |                               | Friction Pad                 | 1                 | 15- 5             |
| RIGHT TANDEM TRAY 2 (C591)  | C591 2018 |                               | Friction Pad                 | 1                 | 11- 15            |
| PAPER FEED SECTION 2 (C591) | C591 1416 |                               | Paper Feed Roller Paper Bank | 4                 | 21- 20            |

## Parts Index

| Part No.  | Description              | Page and Index No. |
|-----------|--------------------------|--------------------|
| C591 1003 | Paper Lock Solenoid      | 25- 4              |
| C591 1007 | Middle Slide Rail        | 27- 24             |
| C591 1008 | Slide Rail Rear Bracket  | 27- 4              |
| C591 1010 | Left Rail Bracket        | 27- 25             |
| C591 1011 | Left Slide Rail Bracket  | 27- 7              |
| C591 1012 | End Fence Stay           | 27- 11             |
| C591 1050 | Rear Frame               | 27- 12             |
| C591 1052 | Connector Shaft          | 25- 18             |
| C591 1052 | Connector Shaft          | 25- 9              |
| C591 1053 | Frame Rear Bracket       | 25- 5              |
| C591 1054 | Board Bracket            | 25- 12             |
| C591 1055 | Connector Spring         | 25- 10             |
| C591 1056 | Lock Spring              | 25- 6              |
| C591 1058 | Stopper Bracket          | 27- 19             |
| C591 1061 | Positioning Pin          | 3- 6               |
| C591 1062 | Slide Rail Front Bracket | 27- 3              |
| C591 1063 | Slide Rail Spring        | 27- 5              |
| C591 1064 | Right Slide Rail         | 27- 2              |
| C591 1065 | Left Slide Rail          | 27- 1              |
| C591 1070 | Base Frame               | 27- 16             |
| C591 1073 | Motor Holder             | 25- 2              |
| C591 1074 | Bracket                  | 25- 3              |
| C591 1075 | Guide Seal               | 27- 21             |
| C591 1090 | Right Frame              | 27- 10             |
| C591 1093 | Left Frame               | 27- 9              |
| C591 1095 | Upper Frame              | 27- 20             |
| C591 1098 | Ball Bearing - FLW688ZZ  | 21- 19             |
| C591 1099 | Ball Bearing - FLW676ZZ  | 19- 10             |
| C591 1100 | Ball Bearing - FLW678ZZ  | 19- 13             |
| C591 1100 | Ball Bearing - FLW678ZZ  | 21- 16             |
| C591 1104 | Bushing - B-F8-4         | 21- 13             |
| C591 1104 | Bushing - B-F8-4         | 17- 25             |
| C591 1104 | Bushing - B-F8-4         | 9- 21              |
| C591 1104 | Bushing - B-F8-4         | 5- 17              |
| C591 1111 | Slide Rail Bracket       | 27- 17             |

| Part No.  | Description                  | Page and Index No. |
|-----------|------------------------------|--------------------|
| C591 1112 | Support Stay                 | 27- 15             |
| C591 1114 | Bank Front Stay              | 27- 8              |
| C591 1115 | Stand Bracket                | 27- 13             |
| C591 1116 | Joint Bracket                | 3- 7               |
| C591 1117 | Bank Frame Stay              | 27- 14             |
| C591 1156 | Collar - 8x5                 | 21- 45             |
| C591 1173 | Edge Saddle - SB-1909        | 27- 23             |
| C591 1250 | Tandem Tray Cover            | 5- 2               |
| C591 1251 | Paper Tray Cover             | 15- 16             |
| C591 1252 | Front Upper Cover            | 3- 3               |
| C591 1253 | Right Middle Cover           | 9- 23              |
| C591 1254 | Left Cover                   | 3- 1               |
| C591 1256 | Right Cover                  | 3- 13              |
| C591 1257 | Rear Cover                   | 3- 12              |
| C591 1258 | Left Cover Support Plate     | 3- 2               |
| C591 1259 | Grounding Plate              | 3- 5               |
| C591 1260 | Left Cover Bracket           | 3- 4               |
| C591 1300 | Decal - Tandem Tray          | 5- 1               |
| C591 1301 | Decal - Paper Tray           | 15- 15             |
| C591 1404 | Rear Frame                   | 21- 44             |
| C591 1405 | Guide Plate - Registration   | 19- 1              |
| C591 1406 | Registration Lower Stay      | 19- 25             |
| C591 1411 | Registration Guide           | 19- 3              |
| C591 1416 | Paper Feed Roller Paper Bank | 21- 20             |
| C591 1419 | Registration Gear Bracket    | 19- 8              |
| C591 1422 | Tension Lever - Tandem Tray  | 19- 17             |
| C591 1425 | Tension Lever - Paper Tray   | 19- 34             |
| C591 1427 | Timing Pulley                | 19- 19             |
| C591 1428 | Feed Gear Bracket            | 19- 12             |
| C591 1430 | Timing Pulley                | 19- 15             |
| C591 1431 | Paper Tray Gear              | 19- 23             |
| C591 1433 | Release Lever                | 21- 22             |
| C591 1435 | Transport Guide Plate - A1   | 21- 39             |
| C591 1437 | Transport Guide Plate - B    | 23- 15             |
| C591 1441 | Vertical Transport Guise     | 23- 1              |

| Part No.  | Description                         | Page and Index No. |
|-----------|-------------------------------------|--------------------|
| C591 1444 | Front Frame                         | 21- 43             |
| C591 1453 | Front Positioning Pin               | 21- 27             |
| C591 1454 | Registration Front Lever            | 21- 25             |
| C591 1457 | Bracket Antistatic Brush Paper Bank | 21- 24             |
| C591 1463 | Registration Rear Lever             | 21- 33             |
| C591 1464 | Magnetic Clutch Holder              | 21- 34             |
| C591 1469 | Pick-up Stay                        | 21- 8              |
| C591 1470 | Sensor Actuator                     | 21- 5              |
| C591 1471 | Sensor Shaft                        | 21- 7              |
| C591 1472 | Sensor Spring                       | 21- 6              |
| C591 1473 | Sensor Bracket                      | 21- 3              |
| C591 1474 | Registration Roller                 | 19- 31             |
| C591 1476 | Feed Roller                         | 19- 27             |
| C591 1479 | Guide Plate Spacer                  | 19- 2              |
| C591 1480 | Roller Shaft                        | 19- 36             |
| C591 1481 | Pin - 3x14                          | 19- 29             |
| C591 1481 | Pin - 3x14                          | 21- 14             |
| C591 1482 | Registration Roller                 | 19- 37             |
| C591 1483 | Lever Spring                        | 21- 32             |
| C591 1484 | Guide Plate Cover                   | 19- 4              |
| C591 1485 | Antistatic Brush Paper Bank         | 21- 47             |
| C591 1486 | Antistatic Brush Guide Plate        | 19- 38             |
| C591 1489 | Pick-up Arm                         | 21- 17             |
| C591 1490 | Pick-up Arm Guide                   | 21- 18             |
| C591 1491 | Separation Roller Drive Shaft       | 21- 10             |
| C591 1492 | Pick-up Roller Shaft                | 21- 9              |
| C591 1493 | Pick-up Roller Drive Gear           | 21- 35             |
| C591 1494 | Spring                              | 21- 4              |
| C591 1495 | Separation Roller Shaft             | 21- 37             |
| C591 1504 | Registration Roller Clutch          | 19- 20             |
| C591 1505 | Clutch Shaft                        | 19- 11             |
| C591 1506 | Clutch Gear                         | 19- 39             |
| C591 1506 | Clutch Gear                         | 19- 9              |
| C591 1510 | Tension Roller                      | 33- 17             |
| C591 1510 | Tension Roller                      | 19- 18             |

| Part No.  | Description                      | Page and Index No. |
|-----------|----------------------------------|--------------------|
| C591 1512 | Tension Spring                   | 19- 32             |
| C591 1517 | Timing Pulley Shaft              | 19- 14             |
| C591 1519 | Timing Belt - 246-3GT-9          | 19- 33             |
| C591 1520 | Timing Belt - 156-3GT-9          | 19- 16             |
| C591 1521 | Feed Gear                        | 19- 21             |
| C591 1523 | Spring Plate                     | 21- 21             |
| C591 1525 | Roller Clutch                    | 19- 35             |
| C591 1526 | Roller Clutch - Feed             | 21- 36             |
| C591 1527 | Switch Bracket                   | 21- 31             |
| C591 1532 | Transport Guide - A2             | 21- 40             |
| C591 1533 | Guide Shaft - A                  | 21- 38             |
| C591 1535 | Stepped Screw                    | 21- 23             |
| C591 1538 | Transport Guide - C              | 19- 26             |
| C591 1542 | Spring Plate                     | 23- 3              |
| C591 1544 | Transport Roller Shaft - Upper   | 23- 19             |
| C591 1545 | Vertical Transport Roller        | 23- 24             |
| C591 1546 | Transport Roller Holder          | 23- 4              |
| C591 1547 | Pressure Spring - A              | 23- 21             |
| C591 1548 | Pressure Spring - B              | 23- 2              |
| C591 1549 | Spring Plate - Rear Guide        | 21- 41             |
| C591 1550 | Front Frame - Vertical Transport | 23- 11             |
| C591 1551 | Support Plate                    | 23- 12             |
| C591 1552 | Rear Frame - Vertical Transport  | 23- 14             |
| C591 1553 | Shaft Cover - Vertical Transport | 23- 6              |
| C591 1554 | Vertical Release Lever           | 23- 9              |
| C591 1555 | Lock Lever                       | 23- 13             |
| C591 1556 | Lock Spring                      | 23- 10             |
| C591 1557 | Vertical Transport Bracket       | 23- 5              |
| C591 1560 | Vertical Transport Cover         | 23- 7              |
| C591 1561 | Transport Roller                 | 19- 28             |
| C591 1562 | Cleaning Plate                   | 23- 16             |
| C591 1562 | Cleaning Plate                   | 21- 1              |
| C591 1564 | Transport Shaft                  | 19- 30             |
| C591 1565 | Transport Roller Shaft - Lower   | 23- 22             |
| C591 1566 | Rear Positioning Pin             | 21- 15             |

| Part No.  | Description                | Page and Index No. |
|-----------|----------------------------|--------------------|
| C591 1567 | Vertical Transport Roller  | 23- 25             |
| C591 1700 | Decal - Vertical Transport | 23- 8              |
| C591 2005 | Drive Shaft                | 17- 14             |
| C591 2005 | Drive Shaft                | 9- 11              |
| C591 2005 | Drive Shaft                | 5- 10              |
| C591 2007 | Were Right Tandem Tray     | 9- 8               |
| C591 2012 | Front Right Frame          | 11- 13             |
| C591 2014 | Side Fence Stopper Plate   | 7- 9               |
| C591 2014 | Side Fence Stopper Plate   | 11- 10             |
| C591 2015 | Right Base                 | 11- 11             |
| C591 2018 | Friction Pad               | 11- 15             |
| C591 2018 | Friction Pad               | 15- 5              |
| C591 2019 | Friction Pad Bracket       | 15- 11             |
| C591 2019 | Friction Pad Bracket       | 11- 21             |
| C591 2020 | Slide Rail Bracket         | 11- 22             |
| C591 2022 | Oil Dumper                 | 5- 16              |
| C591 2022 | Oil Dumper                 | 9- 22              |
| C591 2022 | Oil Dumper                 | 17- 3              |
| C591 2024 | Joint Frame                | 9- 20              |
| C591 2031 | Left Arm                   | 7- 17              |
| C591 2033 | Left Drive Wire            | 5- 7               |
| C591 2035 | Rear Left Frame            | 7- 12              |
| C591 2036 | Front Left Frame           | 7- 13              |
| C591 2040 | Left Base                  | 7- 11              |
| C591 2051 | Shaft Holder               | 5- 6               |
| C591 2051 | Shaft Holder               | 9- 7               |
| C591 2051 | Shaft Holder               | 17- 13             |
| C591 2052 | Side Fence Stopper Knob    | 5- 4               |
| C591 2052 | Side Fence Stopper Knob    | 9- 3               |
| C591 2053 | Side Fence Upper Cover     | 5- 3               |
| C591 2053 | Side Fence Upper Cover     | 9- 2               |
| C591 2054 | Side Fence Rail            | 17- 1              |
| C591 2054 | Side Fence Rail            | 7- 2               |
| C591 2054 | Side Fence Rail            | 11- 1              |
| C591 2055 | Stepped Screw              | 11- 31             |

| Part No.  | Description               | Page and Index No. |
|-----------|---------------------------|--------------------|
| C591 2055 | Stepped Screw             | 15- 18             |
| C591 2056 | Lower Sensor Bracket      | 17- 5              |
| C591 2056 | Lower Sensor Bracket      | 11- 25             |
| C591 2059 | Cushion - 10x10           | 17- 26             |
| C591 2059 | Cushion - 10x10           | 11- 29             |
| C591 2060 | Right Rear Frame          | 11- 12             |
| C591 2062 | Pin - 3x20                | 9- 14              |
| C591 2062 | Pin - 3x20                | 17- 17             |
| C591 2062 | Pin - 3x20                | 5- 12              |
| C591 2063 | Gear - 34x1.0             | 9- 12              |
| C591 2063 | Gear - 34x1.0             | 5- 11              |
| C591 2063 | Gear - 34x1.0             | 17- 15             |
| C591 2064 | Joint Bracket             | 9- 18              |
| C591 2068 | Sensor Bracket - Middle   | 17- 11             |
| C591 2068 | Sensor Bracket - Middle   | 5- 13              |
| C591 2068 | Sensor Bracket - Middle   | 9- 9               |
| C591 2069 | Adjusting Plate           | 9- 15              |
| C591 2069 | Adjusting Plate           | 17- 6              |
| C591 2072 | Encoder                   | 9- 13              |
| C591 2072 | Encoder                   | 17- 16             |
| C591 2073 | Side Fence Bushing        | 7- 10              |
| C591 2073 | Side Fence Bushing        | 11- 8              |
| C591 2074 | Stopper Shaft             | 7- 18              |
| C591 2074 | Stopper Shaft             | 11- 5              |
| C591 2075 | Gear - 22x1.0             | 7- 19              |
| C591 2075 | Gear - 22x1.0             | 15- 4              |
| C591 2075 | Gear - 22x1.0             | 11- 7              |
| C591 2075 | Gear - 22x1.0             | 29- 5              |
| C591 2076 | Side Fence Stopper        | 11- 27             |
| C591 2076 | Side Fence Stopper        | 7- 15              |
| C591 2077 | Side Fence Rack           | 11- 28             |
| C591 2077 | Side Fence Rack           | 7- 14              |
| C591 2078 | Paper Size Sensor Bracket | 11- 3              |
| C591 2078 | Paper Size Sensor Bracket | 7- 3               |
| C591 2079 | Side Fence                | 7- 7               |

| Part No.  | Description                  | Page and Index No. |
|-----------|------------------------------|--------------------|
| C591 2079 | Side Fence                   | 11- 4              |
| C591 2083 | Side Fence Guide             | 11- 2              |
| C591 2084 | Friction Pad Lever           | 15- 10             |
| C591 2084 | Friction Pad Lever           | 11- 20             |
| C591 2085 | Friction Pad Bracket         | 11- 16             |
| C591 2085 | Friction Pad Bracket         | 15- 6              |
| C591 2086 | Spring                       | 11- 19             |
| C591 2086 | Spring                       | 15- 9              |
| C591 2087 | Spring                       | 15- 8              |
| C591 2087 | Spring                       | 11- 18             |
| C591 2096 | Shaft Stopper                | 7- 8               |
| C591 2096 | Shaft Stopper                | 11- 9              |
| C591 2097 | Joint Spring                 | 9- 19              |
| C591 2103 | Adjusting Plate - B          | 17- 22             |
| C591 2103 | Adjusting Plate - B          | 9- 16              |
| C591 2104 | Lock Spring                  | 11- 24             |
| C591 2104 | Lock Spring                  | 7- 16              |
| C591 2110 | Right Paper Guide            | 11- 23             |
| C591 2111 | Sensor Bracket               | 7- 5               |
| C591 2175 | Left Joint Frame             | 5- 15              |
| C591 2185 | Left Bottom Plate            | 5- 5               |
| C591 2186 | Left Paper Guide             | 7- 1               |
| C591 2201 | Pulley Bracket - Rear Right  | 17- 19             |
| C591 2202 | Pulley Bracket - Front Right | 17- 24             |
| C591 2203 | Pulley Bracket - Rear Left   | 17- 8              |
| C591 2204 | Pulley Bracket - Front Left  | 17- 23             |
| C591 2212 | Front Side Fence             | 15- 2              |
| C591 2215 | Joint Frame                  | 17- 2              |
| C591 2216 | Drive Wire                   | 17- 18             |
| C591 2253 | Paper Guide                  | 15- 14             |
| C591 2259 | Rear Side Fence              | 15- 3              |
| C591 2270 | Bottom Plate                 | 15- 1              |
| C591 2284 | Right Bottom Plate           | 9- 4               |
| C591 2290 | Decal - Paper Level          | 7- 20              |
| C591 2290 | Decal - Paper Level          | 11- 30             |

| Part No.  | Description           | Page and Index No. |
|-----------|-----------------------|--------------------|
| C591 2401 | End Fence Base        | 13- 6              |
| C591 2402 | End Fence Plate       | 13- 12             |
| C591 2403 | Tension Arm           | 13- 5              |
| C591 2451 | Timing Pulley - A     | 13- 9              |
| C591 2453 | Tension Spring        | 13- 4              |
| C591 2455 | Timing Pulley - B     | 13- 13             |
| C591 2459 | End Fence Shaft       | 13- 11             |
| C591 2460 | End Fence Timing Belt | 13- 8              |
| C591 3000 | Bank Control Board    | 25- 13             |
| C591 3010 | Sensor Board          | 5- 14              |
| C591 3010 | Sensor Board          | 17- 12             |
| C591 3010 | Sensor Board          | 9- 10              |
| C591 3010 | Sensor Board          | 29- 6              |
| C591 3010 | Sensor Board          | 33- 6              |
| C591 3010 | Sensor Board          | 35- 10             |
| C591 3011 | EPROM EVEN            | 25- 19             |
| C591 3012 | EPROM ODD             | 25- 20             |
| C591 3013 | EPROM SLV             | 25- 21             |
| C591 3020 | Registration Motor    | 25- 1              |
| C591 3021 | Paper Feed Motor      | 25- 15             |
| C591 3023 | DC Solenoid           | 15- 7              |
| C591 3027 | DC Solenoid           | 11- 17             |
| C591 3028 | DC Solenoid           | 9- 17              |
| C591 3300 | Interface Cable       | 25- 16             |
| C591 3301 | Optical Cable         | 25- 17             |
| C591 3310 | Sensor Harness        | 19- 7              |
| C591 3311 | Harness - 07          | 13- 2              |
| C591 3312 | Harness - 16          | 9- 24              |
| C591 3313 | Harness - 17          | 9- 25              |
| C591 3315 | Harness - 21          | 5- 18              |
| C591 3316 | Harness - 06          | 25- 14             |
| C591 3317 | Harness - 05          | 25- 8              |
| C591 3318 | Harness - 12          | 13- 1              |
| C591 3319 | Harness - 23          | 17- 21             |
| C591 3320 | Harness - 24          | 17- 20             |



| Part No.  | Description                  | Page and Index No. |
|-----------|------------------------------|--------------------|
| C591 3321 | Switch Harness               | 21- 46             |
| C591 3322 | Clutch Harness               | 19- 22             |
| C591 3323 | Harness - 04                 | 25- 7              |
| C591 3325 | Grounding Wire - A           | 15- 12             |
| C591 3326 | Grounding Wire - C           | 15- 13             |
| C591 3327 | Grounding Wire - Tandem Tray | 11- 26             |
| C591 4019 | Side Fence Rail              | 29- 21             |
| C591 4021 | Front Slider - Side Fence    | 29- 20             |
| C591 4023 | Rear Slider - Side Fence     | 29- 15             |
| C591 4025 | Pulley - 30-S1.5M-W7.3       | 33- 7              |
| C591 4026 | DC Motor 2 - RS-360RH-12420  | 33- 2              |
| C591 4030 | DC Motor 1 - RS-360RH-12420  | 33- 22             |
| C591 4039 | Base Frame                   | 33- 23             |
| C591 4050 | Table                        | 29- 1              |
| C591 4052 | Rear Frame                   | 35- 1              |
| C591 4053 | Front Frame                  | 35- 3              |
| C591 4054 | Sensor Holder                | 35- 12             |
| C591 4055 | Right Stay                   | 35- 2              |
| C591 4056 | Left Stay                    | 35- 4              |
| C591 4059 | Spring Plate                 | 29- 19             |
| C591 4062 | Side Fence Rack              | 29- 17             |
| C591 4063 | Warm Shaft - 1x0.8           | 33- 3              |
| C591 4064 | Shaft Holder                 | 33- 1              |
| C591 4066 | Side Fence Slider            | 29- 18             |
| C591 4067 | Timing Belt - S1.5M-91.5-4.0 | 33- 8              |
| C591 4068 | Base Frame                   | 33- 4              |
| C591 4070 | Sensor Bracket               | 33- 5              |
| C591 4074 | Side Fence Shaft             | 33- 15             |
| C591 4075 | Pin - 2-12                   | 29- 24             |
| C591 4075 | Pin - 2-12                   | 33- 18             |
| C591 4076 | Encoder                      | 33- 9              |
| C591 4078 | End Fence Pulley - Right     | 29- 25             |
| C591 4079 | Warm Wheel - 37x0.8          | 33- 19             |
| C591 4081 | End Fence Pulley - Left      | 29- 13             |
| C591 4083 | Timing Belt - 690-2GT-6.0    | 33- 13             |

| Part No.  | Description                     | Page and Index No. |
|-----------|---------------------------------|--------------------|
| C591 4086 | End Fence Shaft                 | 31- 7              |
| C591 4087 | Spring Plate                    | 29- 10             |
| C591 4088 | End Fence Sensor                | 29- 12             |
| C591 4090 | End Fence Rail                  | 29- 14             |
| C591 4091 | Grounding Plate                 | 33- 16             |
| C591 4092 | End Fence Pulley - 27-2GT-W10.2 | 33- 14             |
| C591 4093 | End Fence Slider - DU           | 29- 9              |
| C591 4094 | End Fence Shaft                 | 33- 12             |
| C591 4095 | Tension Bracket                 | 33- 11             |
| C591 4096 | End Fence Slider - UU           | 29- 7              |
| C591 4097 | End Fence Slider - UD           | 29- 8              |
| C591 4098 | Spring Plate                    | 33- 10             |
| C591 4100 | End Fence Slider                | 29- 11             |
| C591 4140 | Table Base                      | 29- 3              |
| C591 4150 | Bushing - B-F6-163              | 33- 20             |
| C591 4151 | Bushing - B-F4-50               | 33- 21             |
| C591 4200 | Main Control Board              | 35- 8              |
| C591 4210 | Paper Delivery Table Eprom      | 35- 14             |
| C591 4300 | Interface Cable                 | 35- 6              |
| C591 4310 | Harness - 0202                  | 35- 5              |
| C591 4311 | Harness - 0201                  | 35- 9              |
| C591 4312 | Harness - 0203                  | 35- 7              |
| C591 4315 | Grounding Wire                  | 35- 13             |
| C591 4370 | End Fence Ass'y                 | 31- 1              |
| C591 4400 | Rear Side Fence Ass'y           | 31- 25             |
| C591 4430 | Front Side Fence Ass'y          | 31- 10             |
| C591 5801 | Photointerruptor                | 13- 10             |

| Part No.  | Description              | Page and Index No. |
|-----------|--------------------------|--------------------|
| AA00 2010 | Decal - Paper Level      | 15- 17             |
| AA08 0017 | Supporter - Drive Roller | 21- 26             |
| AB03 2719 | Pulley - M10             | 17- 9              |
| AB03 2719 | Pulley - M10             | 5- 9               |
| AB03 2719 | Pulley - M10             | 9- 6               |
| AW02 0075 | Photointerruptor         | 11- 14             |
| AW02 0075 | Photointerruptor         | 17- 7              |
| AW02 0075 | Photointerruptor         | 7- 6               |
| AW02 0075 | Photointerruptor         | 21- 2              |
| AW02 0075 | Photointerruptor         | 13- 7              |
| AX04 0107 | DC Motor - 19.2W         | 13- 3              |

| Part No.  | Description      | Page and Index No. |
|-----------|------------------|--------------------|
| A096 6266 | Tray Lock Arm    | 27- 6              |
| A248 6167 | DC Motor - 19.2W | 25- 11             |
| A248 6695 | Guide - Pulley   | 5- 8               |
| A248 6695 | Guide - Pulley   | 9- 5               |
| A248 6695 | Guide - Pulley   | 17- 10             |
| A628 3115 | Knob Screw - M4  | 3- 9               |

| Part No.  | Description                        | Page and Index No. |
|-----------|------------------------------------|--------------------|
| C207 4150 | Fixing Screw                       | 31- 2              |
| C209 3133 | Retaining Ring - M6                | 23- 23             |
| C209 3133 | Retaining Ring - M6                | 21- 42             |
| C209 6136 | Magnet Plate                       | 31- 15             |
| C218 2048 | Bank Support Bracket               | 3- 10              |
| C218 2050 | Adjust Screw - M4x10               | 3- 11              |
| C218 2173 | Support Plate - Safety Switch - LT | 21- 30             |
| C218 2185 | Stepper Screw                      | 21- 28             |
| C223 5031 | Lower Spring - Separation          | 31- 20             |
| C224 2172 | Safety Switch Lever                | 21- 29             |
| C227 6156 | Upper Guide Shaft                  | 31- 24             |
| C229 2840 | Pad                                | 9- 1               |
| C229 2949 | Timing Belt - 75-MXL-64            | 21- 11             |
| C229 2950 | Feed Rooler Drive Pulley           | 21- 12             |
| C229 4372 | Fixing Screw Bracket               | 31- 3              |
| C229 4373 | Adjust Shaft                       | 31- 6              |
| C229 4376 | End Fence Cushion                  | 31- 5              |
| C229 4377 | End Fence Ass'y                    | 31- 4              |
| C229 4389 | Spring - Front Side Fence          | 29- 22             |
| C229 4393 | Middle Slider                      | 29- 16             |
| C229 4399 | Base - Front Side Fence            | 29- 23             |
| C229 4401 | Rear Side Fence                    | 31- 26             |
| C229 4402 | Rear Middle Guide                  | 31- 28             |
| C229 4404 | Rear Shaft - Exit Paper Guide      | 31- 30             |
| C229 4405 | Upper Exit Guide - Rear            | 31- 29             |
| C229 4406 | Side Fence Shaft                   | 29- 4              |
| C229 4407 | Rear Release Arm                   | 31- 27             |
| C229 4410 | Rear Exit Guide Plate              | 31- 9              |
| C229 4416 | Shaft - Fornt Side Fence           | 29- 2              |
| C229 4421 | Front Side Fence                   | 31- 11             |
| C229 4422 | Front Middle Guide                 | 31- 22             |
| C229 4424 | Front Release Arm                  | 31- 21             |
| C229 4427 | Upper Exit Guide - Front           | 31- 23             |
| C229 4428 | Front Exit Guide Plate             | 31- 8              |
| C229 4452 | Side Fence Shaft                   | 31- 16             |

| Part No.  | Description               | Page and Index No |
|-----------|---------------------------|-------------------|
| C229 4453 | Lower Adjusting Plate     | 31- 18            |
| C229 4455 | Side Fence Relase Spring  | 31- 12            |
| C229 4457 | Knob Screw                | 31- 13            |
| C229 4459 | Exit Paper Guide Pin      | 31- 19            |
| C229 4461 | Front Holder - Side Fence | 31- 14            |
| C229 4487 | Knob Screw                | 31- 31            |
| C229 5807 | Photosensor - GP2A25      | 35- 11            |
| C229 5807 | Photosensor - GP2A25      | 23- 17            |
| C229 5807 | Photosensor - GP2A25      | 19- 6             |
| C229 5807 | Photosensor - GP2A25      | 17- 4             |
| C229 5807 | Photosensor - GP2A25      | 11- 6             |
| C229 5807 | Photosensor - GP2A25      | 7- 4              |
| C232 2035 | Stepped Screw             | 3- 8              |
| C232 2963 | Sensor Bracket            | 23- 18            |
| C232 2963 | Sensor Bracket            | 19- 5             |
| C232 2983 | Bushing - 6mm             | 23- 20            |
| C546 2038 | Caster                    | 27- 18            |
| C546 2039 | Caster With Stopper       | 27- 22            |

| Part No.  | Description        | Page and Index No. |
|-----------|--------------------|--------------------|
| 5054 0536 | Magnet Catch Ass'y | 31- 17             |
| 5419 5714 | Stepped Screw - M4 | 19- 24             |

| Part No.   | Description                       | Page and Index No |
|------------|-----------------------------------|-------------------|
| 0313 0040Z | Philips Pan Head Screw - M3x4     | 11-110            |
| 0313 0040Z | Philips Pan Head Screw - M3x4     | 7-108             |
| 0313 0050Z | Philips Screw - 3x5               | 21-106            |
| 0313 0060Z | Philips Pan Head Screw - M3x6     | 11-103            |
| 0313 0060Z | Philips Pan Head Screw - M3x6     | 17-102            |
| 0313 0060Z | Philips Pan Head Screw - M3x6     | 5-101             |
| 0313 0060Z | Philips Pan Head Screw - M3x6     | 9-101             |
| 0313 0060Z | Philips Pan Head Screw - M3x6     | 7-101             |
| 0313 0080Z | Philips Screw - 3x8               | 23-103            |
| 0313 0080Z | Philips Screw - 3x8               | 19-101            |
| 0313 0140Z | Philips Pan Head Screw - M3x14    | 21-104            |
| 0314 0080Z | Philips Screw - 4x8               | 25-101            |
| 0353 0040Z | Binding Head Screw M3x4 (100pcs)  | 7-102             |
| 0353 0040Z | Binding Head Screw M3x4 (100pcs)  | 7-109             |
| 0353 0040Z | Binding Head Screw M3x4 (100pcs)  | 5-107             |
| 0353 0040Z | Binding Head Screw M3x4 (100pcs)  | 9-108             |
| 0353 0040Z | Binding Head Screw M3x4 (100pcs)  | 11-104            |
| 0353 0060M | Tapping Screw - M3X6              | 27-110            |
| 0353 0060Z | Screw - M3X6                      | 9-107             |
| 0353 0060Z | Screw - M3X6                      | 5-106             |
| 0354 0060Z | Philips Truss Head Screw - M4x6   | 27-102            |
| 0450 3006H | Tapping Screw - 3x6               | 9-112             |
| 0450 3006H | Tapping Screw - 3x6               | 13-106            |
| 0450 3008H | Tapping Screw M3x8                | 17-107            |
| 0450 3008H | Tapping Screw M3x8                | 13-105            |
| 0450 3008H | Tapping Screw M3x8                | 35-101            |
| 0450 3008H | Tapping Screw M3x8                | 5-108             |
| 0450 3008H | Tapping Screw M3x8                | 3-104             |
| 0450 3008H | Tapping Screw M3x8                | 29-105            |
| 0450 3008H | Tapping Screw M3x8                | 33-104            |
| 0450 3010H | Tapping Screw - 3x10              | 15-101            |
| 0450 3010Z | Tapping Screw With Washer - M3x10 | 17-105            |
| 0450 4008H | Tapping Screw - M4x8              | 25-108            |
| 0450 4010H | Tapping Screw - 4x10              | 13-108            |
| 0450 4010H | Tapping Screw - 4x10              | 31-104            |

| Part No.   | Description           | Page and Index No. |
|------------|-----------------------|--------------------|
| 0451 3006H | Tapping Screw - 3x6   | 11-101             |
| 0451 3006H | Tapping Screw - 3x6   | 13-104             |
| 0451 3006H | Tapping Screw - 3x6   | 35-104             |
| 0451 3006H | Tapping Screw - 3x6   | 15-102             |
| 0451 3006H | Tapping Screw - 3x6   | 3-101              |
| 0451 3006H | Tapping Screw - 3x6   | 17-101             |
| 0451 3006H | Tapping Screw - 3x6   | 25-104             |
| 0451 3006H | Tapping Screw - 3x6   | 33-101             |
| 0451 3006H | Tapping Screw - 3x6   | 5-102              |
| 0451 3006H | Tapping Screw - 3x6   | 19-102             |
| 0451 3006H | Tapping Screw - 3x6   | 21-103             |
| 0451 3006H | Tapping Screw - 3x6   | 29-102             |
| 0451 3006H | Tapping Screw - 3x6   | 7-103              |
| 0451 3006H | Tapping Screw - 3x6   | 23-102             |
| 0451 3006H | Tapping Screw - 3x6   | 9-102              |
| 0451 3006H | Tapping Screw - 3x6   | 27-103             |
| 0451 3008H | Tapping Screw - 3x8   | 29-104             |
| 0451 3008H | Tapping Screw - 3x8   | 15-103             |
| 0451 3008H | Tapping Screw - 3x8   | 3-102              |
| 0451 3010H | Tapping Screw - 3x10  | 5-109              |
| 0451 3010H | Tapping Screw - 3x10  | 9-110              |
| 0451 3012H | Tapping Screw - 3x12  | 17-109             |
| 0451 3012H | Tapping Screw - 3x12  | 9-114              |
| 0451 4006H | Tapping Screw - M4x6  | 27-109             |
| 0451 4006H | Tapping Screw - M4x6  | 9-103              |
| 0451 4008H | Tapping Screw - 4x8   | 25-102             |
| 0451 4008H | Tapping Screw - 4x8   | 3-103              |
| 0452 3008B | Tapping Screw - M3x8  | 31-103             |
| 0595 0080Z | Bolt - M5x8           | 27-101             |
| 0622 0100E | Spring Pin - 2x10mm   | 33-107             |
| 0720 0020E | Retaining Ring - M2   | 21-107             |
| 0720 0025E | Retaining Ring - M2.5 | 33-105             |
| 0720 0030E | Retaining Ring - M3   | 11-105             |
| 0720 0030E | Retaining Ring - M3   | 15-105             |
| 0720 0030E | Retaining Ring - M3   | 25-105             |

| Part No.   | Description                     | Page and Index No. |
|------------|---------------------------------|--------------------|
| 0720 0030E | Retaining Ring - M3             | 31-101             |
| 0720 0030E | Retaining Ring - M3             | 27-107             |
| 0720 0030E | Retaining Ring - M3             | 29-101             |
| 0720 0030E | Retaining Ring - M3             | 9-105              |
| 0720 0040E | Retaining Ring - M4             | 7-105              |
| 0720 0040E | Retaining Ring - M4             | 33-102             |
| 0720 0040E | Retaining Ring - M4             | 23-101             |
| 0720 0040E | Retaining Ring - M4             | 27-108             |
| 0720 0040E | Retaining Ring - M4             | 29-103             |
| 0720 0040E | Retaining Ring - M4             | 19-103             |
| 0720 0040E | Retaining Ring - M4             | 13-101             |
| 0720 0040E | Retaining Ring - M4             | 33-106             |
| 0720 0040E | Retaining Ring - M4             | 11-106             |
| 0720 0050E | Retaining Ring - M5             | 21-101             |
| 0720 0050E | Retaining Ring - M5             | 9-109              |
| 0720 0050E | Retaining Ring - M5             | 17-108             |
| 0720 0050E | Retaining Ring - M5             | 5-110              |
| 0720 0050E | Retaining Ring - M5             | 7-110              |
| 0720 0050E | Retaining Ring - M5             | 11-111             |
| 0720 0060E | Retaining Ring - M6             | 11-113             |
| 0720 0060E | Retaining Ring - M6             | 17-104             |
| 0720 0060E | Retaining Ring - M6             | 5-104              |
| 0720 0060E | Retaining Ring - M6             | 7-111              |
| 0720 0060E | Retaining Ring - M6             | 9-104              |
| 0720 0060E | Retaining Ring - M6             | 21-102             |
| 0800 0072  | Philips Pan Head Screw - M2.6x4 | 11-112             |
| 0800 0072  | Philips Pan Head Screw - M2.6x4 | 25-106             |
| 0800 0072  | Philips Pan Head Screw - M2.6x4 | 15-104             |
| 0800 0072  | Philips Pan Head Screw - M2.6x4 | 9-113              |
| 0802 5097  | Tapping Screw - M3x10           | 31-102             |
| 0804 9029  | Nut - M6                        | 3-105              |
| 1102 6256  | Relay Connector - 13P           | 13-107             |
| 1102 7875  | Connector                       | 5-105              |
| 1102 7875  | Connector                       | 17-106             |
| 1102 7875  | Connector                       | 9-111              |

| Part No.  | Description                   | Page and Index No. |
|-----------|-------------------------------|--------------------|
| 1105 0016 | Nylon Clamp - 4N              | 3-106              |
| 1105 0095 | Cord Clamp - 6.5mm            | 27-104             |
| 1105 0229 | Clamp                         | 35-103             |
| 1105 0229 | Clamp                         | 33-103             |
| 1105 0310 | Harness Clamp - LWS-1S        | 35-105             |
| 1105 0310 | Harness Clamp - LWS-1S        | 25-103             |
| 1105 0310 | Harness Clamp - LWS-1S        | 27-106             |
| 1105 0319 | Harness Clamp                 | 13-103             |
| 1105 0328 | Harness Clamp - ES-0505       | 13-102             |
| 1105 0329 | Clamp - ES-0510               | 7-106              |
| 1105 0329 | Clamp - ES-0510               | 5-103              |
| 1105 0329 | Clamp - ES-0510               | 11-107             |
| 1105 0407 | Mini Clamp                    | 11-108             |
| 1105 0407 | Mini Clamp                    | 11-102             |
| 1105 0407 | Mini Clamp                    | 17-103             |
| 1105 0407 | Mini Clamp                    | 9-106              |
| 1105 0407 | Mini Clamp                    | 7-107              |
| 1105 0407 | Mini Clamp                    | 7-104              |
| 1105 0473 | Clamp - RSG-100-V0            | 11-109             |
| 1105 0473 | Clamp - RSG-100-V0            | 27-105             |
| 1106 0250 | Cord Stopper - 115V           | 25-109             |
| 1106 0713 | Cable Holder                  | 35-102             |
| 1107 7876 | Connector - 55031-2811        | 25-107             |
| 1204 1442 | Micro Switch - V-152-3A5(10E) | 21-105             |
| 1403 0456 | Photosensor - EE-SB5-C3       | 35-106             |

| Part No. | Description | Page and Index No. |
|----------|-------------|--------------------|
|          |             |                    |